

Inhoudsopgave

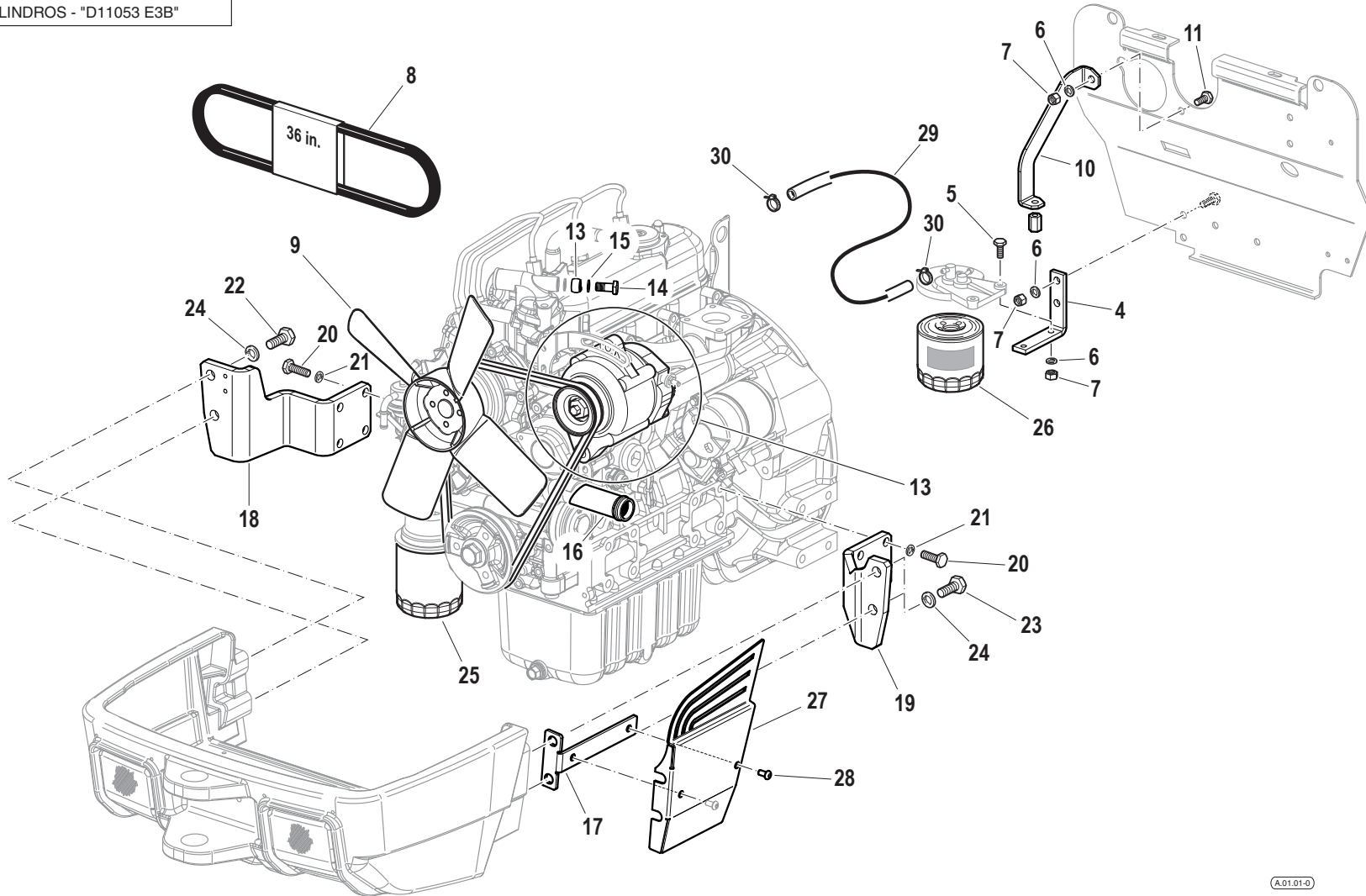
Accu & Kabels & Massa Slot	92
Achteras Huis	62
Achteras Aandrijving	82
Dashbord	48
Differentieel Slot	84
Driepunt Achter Standaard	112
Elektro Achter	94
Electro Voor	90
Gaskabels Hand & Voetgas	8
Hef Deksel & Cilinder	104
Hydrauliek Stuur	100
Hydrauliek Systeem Achter	108
Hydrauliek Systeem & Filter	96
Hydrauliek Ventielen	102
Index	124
Koppeling & Pedaal	66
Luchtfiler 30 CV	16
Luchtfiler 40 CV	18
Middenstuk Knuk & Centrale As	58
Motor Kubota 30 CV	4
Motor Kubota 40 CV	6
Motorkap	26
PTO & Tanwielen	86
PTO Schakeling	88
Radiator & Slangen	12
Remmen	70
Rempedalen & Handrem	72
Schakelpoken & Gaffels	80
Spatschermen Achter	38
Spatschermen Voor & Rolbeugel	34
Stickers	42
Tandwielen	76
Tandwielen	78
Tank	20
Trekhaak	114
Uitlaat 30 CV	22
Uitlaat 40 CV	24
Voetplaten Middenstuk	36
Vooras Aandrijving	64
Vooras Huis	56
Wielen & Banden	118
Zittingen	52
Zwaailamp	122

Code	Description	Notes
A.01.01_0_78283	ENGINE	Engine: 30 CV
A.01.02_0_78314	ENGINE	Engine: 40 CV
A.02.03_0_80234	ENGINE CONTROLS	Engine: 30 CV
A.02.04_0_80254	ENGINE CONTROLS	Engine: 40 CV
A.03.01_0_77926	COOLER	Engine: 30 CV
A.03.02_0_77959	COOLER	Engine: 40 CV
A.04.01_0_77992	AIR FILTER	Engine: 30 CV
A.04.02_0_78006	AIR FILTER	Engine: 40 CV
A.05.01_0_78020	FUEL TANK	
A.06.01_0_78345	MUFFLER	Engine: 30 CV
A.06.02_0_78353	MUFFLER	Engine: 40 CV
B.02.03_0_78411	BONNET	Engine: 30 CV
B.02.04_0_78461	BONNET	Engine: 40 CV
B.03.04_0_78542	FRONT MODGUARDS	
B.04.02_0_78069	BOARDS	
B.05.04_0_78617	REAR MODGUARDS (VEGA)	
B.07.06_0_79341	PLATES AND STICKERS	
B.07.09_0_79398	PLATES AND STICKERS	Engine: 30 CV
B.07.10_0_79418	PLATES AND STICKERS	Engine: 40 CV
B.08.01_0_78089	DASHBOARD	
B.09.01_0_78661	SEAT SUPPORT / GEAR LEVERS COVER	
B.10.01_0_78674	SEAT (SEAT)	
B.10.02_0_78117	SEAT (GT62 M91)	
C.01.02_0_78189	FRONT AXLE	
C.02.02_0_78710	INTERMEDIATE SECTION	
C.03.01_0_78209	REAR AXLE	
D.01.02_0_78251	FRONT TRANSMISSION	
D.02.02_0_78843	CLUTCH	
D.03.01_0_78795	BRAKES	
D.04.02_0_78917	BRAKES CONTROL UNITS	
D.06.01_0_80179	MAIN SHAFT AND CORRESPONDING GEARS	
D.07.01_0_80149	TRANSMISSION SHAFT GEARS	
D.08.01_0_80274	CHANGE GEAR CONTROLS	
D.09.01_0_79023	REAR TRANSMISSION	

Code	Description	Notes
D.10.01_0_87079	DIFFERENTIAL GEAR LOCK	
D.11.01_0_79318	POWER TAKE-OFF	
D.12.01_0_79115	POWER TAKE-OFF CONTROLS	
E.01.01_0_87533	FRONT ELECTRICAL SYSTEM	
E.02.01_0_90525	ENGINE ELECTRIC SYSTEM	
E.03.01_0_90539	REAR ELECTRICAL SYSTEM	
F.01.03_0_81089	HYDR. SYSTEM OIL SUCTION	Engine: 30 CV
F.01.04_0_81115	HYDR. SYSTEM OIL SUCTION	Engine: 40 CV
F.02.02_0_80948	STEERING HYDRAULIC SYSTEM	
I.01.01_0_79478	HYDR. CONTROL VALVES: AVAILABLE PARTS	
L.01.01_0_79438	HYDRAULIC LIFT	
L.02.01_0_79459	2ND LIFTING HYDRAULIC JACK	
L.03.02_0_90593	CONTROL VALVES EQUIPMENT	
T.01.02_0_78999	ATTACHMENT HITCH (BASIC VERSION)	
T.03.01_0_78953	PULL HOOK	
T.03.02_0_78963	PULL HOOK "EEC" APPROVED	
W.01.01_0_78753	WHEELS AND TYRES	
W.01.02_0_78778	WHEELS AND TYRES	
Z.01.01_0_78791	ROTATING LAMP	

Кубота

MOTORE 3 CILINDRI - "D11053 E3B"
 3 CYLINDERS ENGINE - "D11053 E3B"
 MOTEUR 3 CYLINDRES - "D11053 E3B"
 3 ZYLINDERN MOTOR - "D11053 E3B"
 MOTOR 3 CILINDROS - "D11053 E3B"



Pos.	Code	Q.ty	Description	Notes
1	31112214	2	SCREW TE M10X45 UNI 5739	
2	31112211	4	SCREW TE M10X30 UNI 5739	
3	31152100	2	SCREW TCEI M10X40 UNI 5931 8G	
4	561A1374	1	OIL FILTER SUPPORT	
5	31112147	4	SCREW TE M8X18 UNI 5739 8G	
6	31211080	2	NUT M8	
7	F0843643060	6	WASHER 8	
8	59901454	1	ENGINE BELT	
9	59901452	1	ENGINE FAN	
10	561A1477	1	RH ENGINE WALL BRACE	
11	31111151	1	SCREW TE M8X16 UNI 5739 8G	
12	59901451	1	ALTERNATOR	
13	30000257	1	CONNECTION M12-5/16	
14	560A1427	1	HOLLOW BOLT	
15	F0843841000	2	COPPER WASHER 12,0x18/1,5	
16	590A1426	1	ELBOW-COOLER PIPE	
17	590A1907	1	EXHAUST PROTECTION SUPPORT	
18	561A1372	1	FRONT SUPPORT RH BRACKET	
19	561A1373	1	FRONT SUPPORT LH BRACKET	
20	31112910	8	SCREW TE M10X1,25X25 UNI5740	
21	F0843755000	8	WASHER 10	
22	31112272	2	SCREW TE M12X30 UNI 5739	
23	31112264	2	SCREW TE M12X35 UNI 5739	
24	F0843843060	4	WASHER 12	
25	59901446	1	OIL FILTER CARTRIDGE	
26	59901447	1	FUEL FILTER CARTRIDGE	
27	561A1906N	1	EXHAUST PROTECTION	
28	F0862479034	2	SCREW M6X12 7380	
29	580A0680	1	FLEXIBLE HOSE (8x15) L=570	
30	P97917900000	2	CLAMP 10-16	

SERIAL

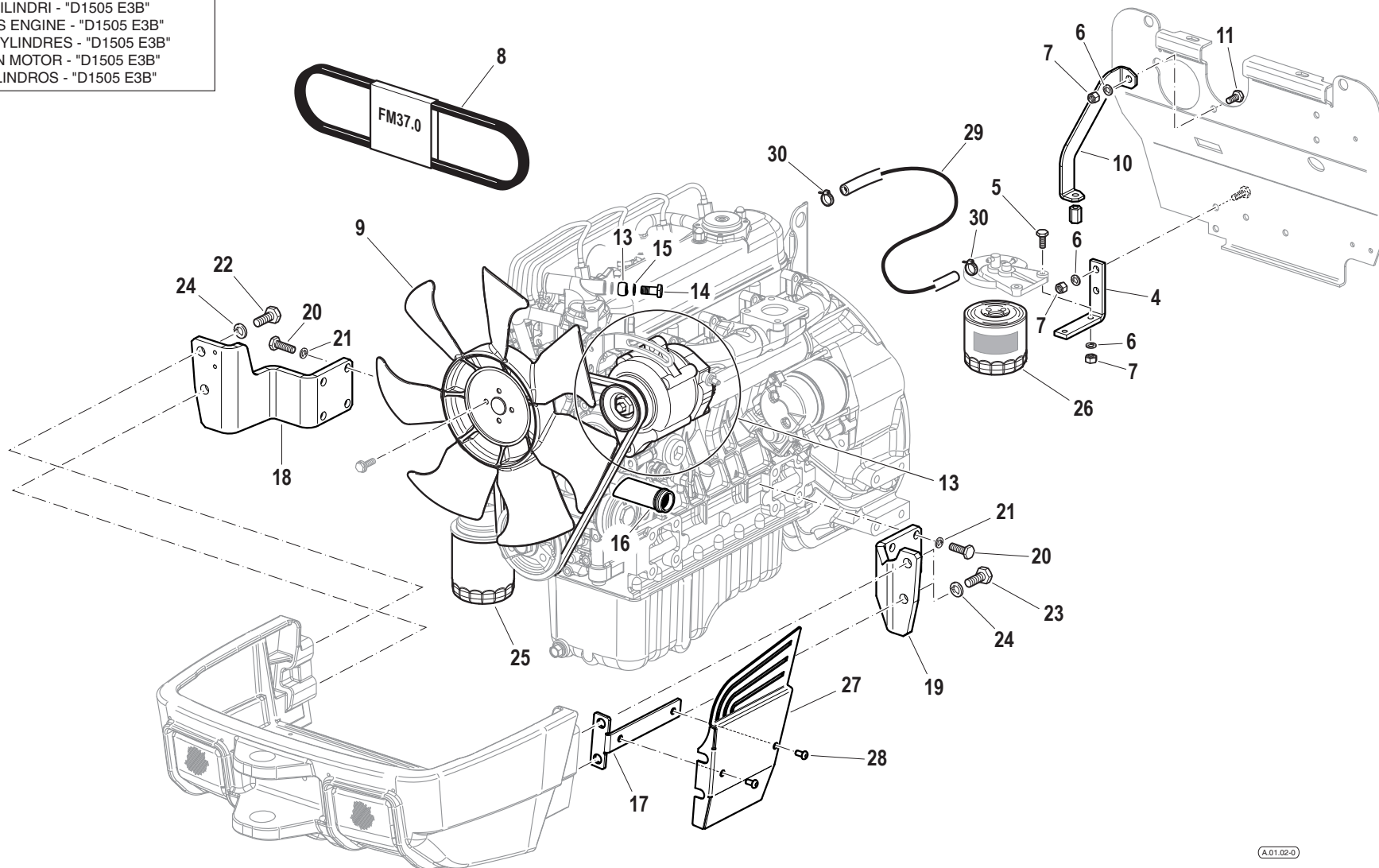
ENGINE
Engine: 30 CV

CODE REV

A.01.01_0_78283

Kubota

MOTORE 4 CILINDRI - "D1505 E3B"
 4 CYLINDERS ENGINE - "D1505 E3B"
 MOTEUR 4 CYLINDRES - "D1505 E3B"
 4 ZYLINDERN MOTOR - "D1505 E3B"
 MOTOR 4 CILINDROS - "D1505 E3B"



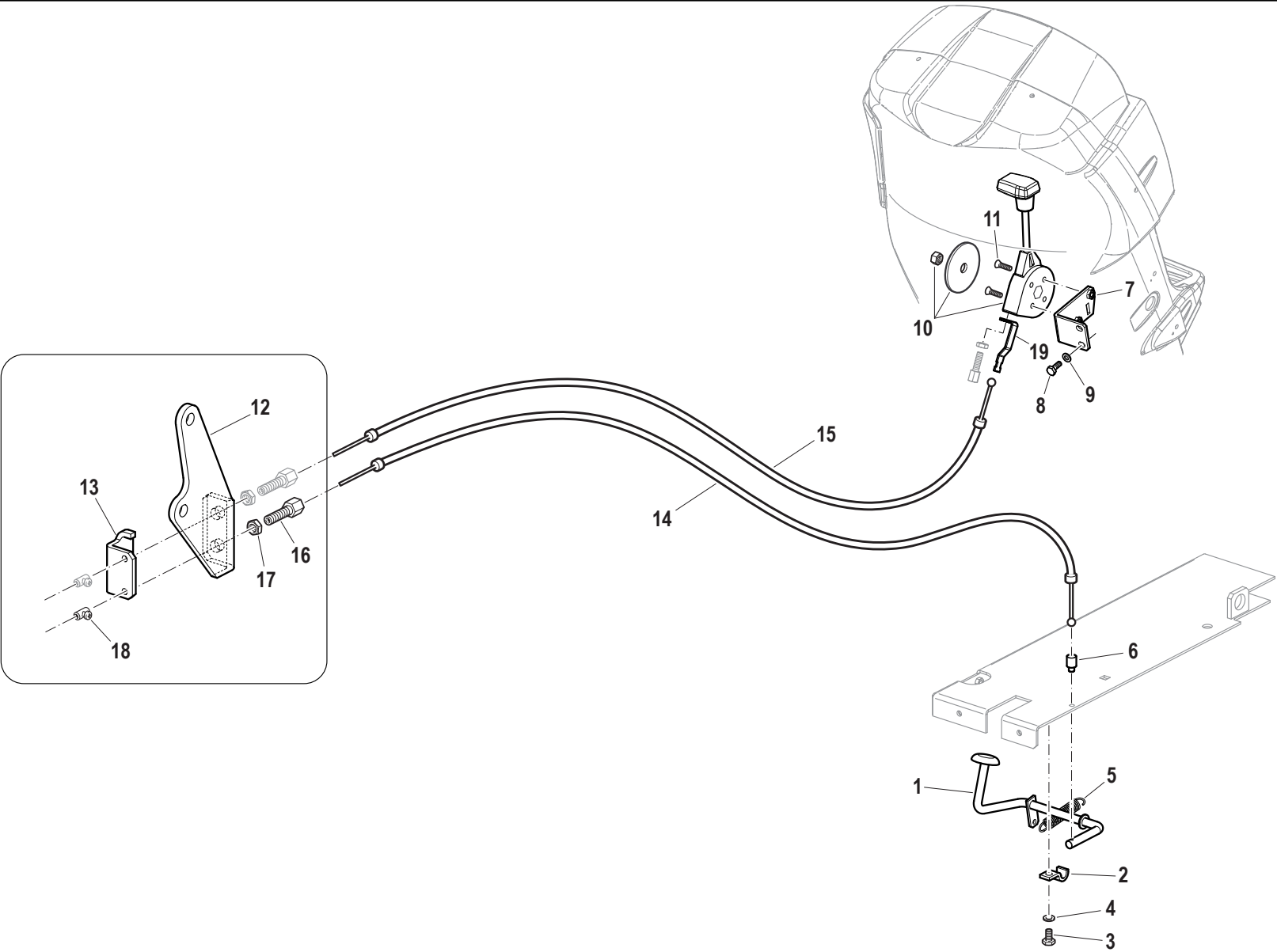
Pos.	Code	Q.ty	Description	Notes
1	31112214	2	SCREW TE M10X45 UNI 5739	
2	31112211	4	SCREW TE M10X30 UNI 5739	
3	31152100	2	SCREW TCEI M10X40 UNI 5931 8G	
4	561A1374	1	OIL FILTER SUPPORT	
5	31112147	4	SCREW TE M8X18 UNI 5739 8G	
6	31211080	2	NUT M8	
7	F0843643060	6	WASHER 8	
8	59901455	1	ENGINE BELT	
9	59901453	1	ENGINE FAN	
10	561A1477	1	RH ENGINE WALL BRACE	
11	31111151	1	SCREW TE M8X16 UNI 5739 8G	
12	59901451	1	ALTERNATOR	
13	30000257	1	CONNECTION M12-5/16	
14	560A1427	1	HOLLOW BOLT	
15	F0843841000	2	COPPER WASHER 12,0x18/1,5	
16	590A1426	1	ELBOW-COOLER PIPE	
17	590A1907	1	EXHAUST PROTECTION SUPPORT	
18	561A1372	1	FRONT SUPPORT RH BRACKET	
19	561A1373	1	FRONT SUPPORT LH BRACKET	
20	31112910	8	SCREW TE M10X1,25X25 UNI5740	
21	F0843755000	8	WASHER 10	
22	31112272	2	SCREW TE M12X30 UNI 5739	
23	31112264	2	SCREW TE M12X35 UNI 5739	
24	F0843843060	4	WASHER 12	
25	59901446	1	OIL FILTER CARTRIDGE	
26	59901447	1	FUEL FILTER CARTRIDGE	
27	561A1906N	1	EXHAUST PROTECTION	
28	F0862479034	2	SCREW M6X12 7380	
29	580A0680	1	FLEXIBLE HOSE (8x15) L=570	
30	P97917900000	2	CLAMP 10-16	

SERIAL

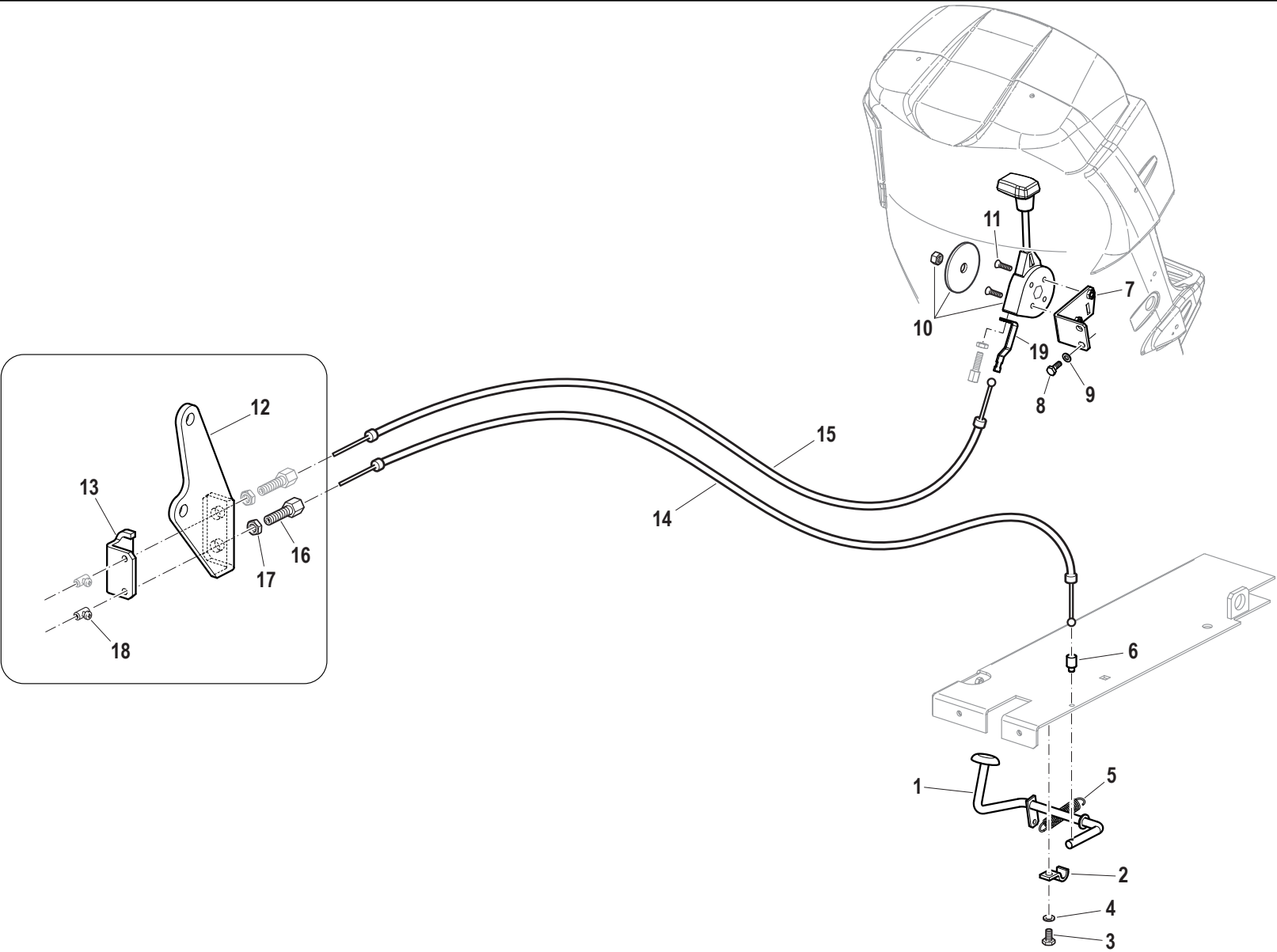
ENGINE
Engine: 40 CV

CODE REV

A.01.02_0_78314

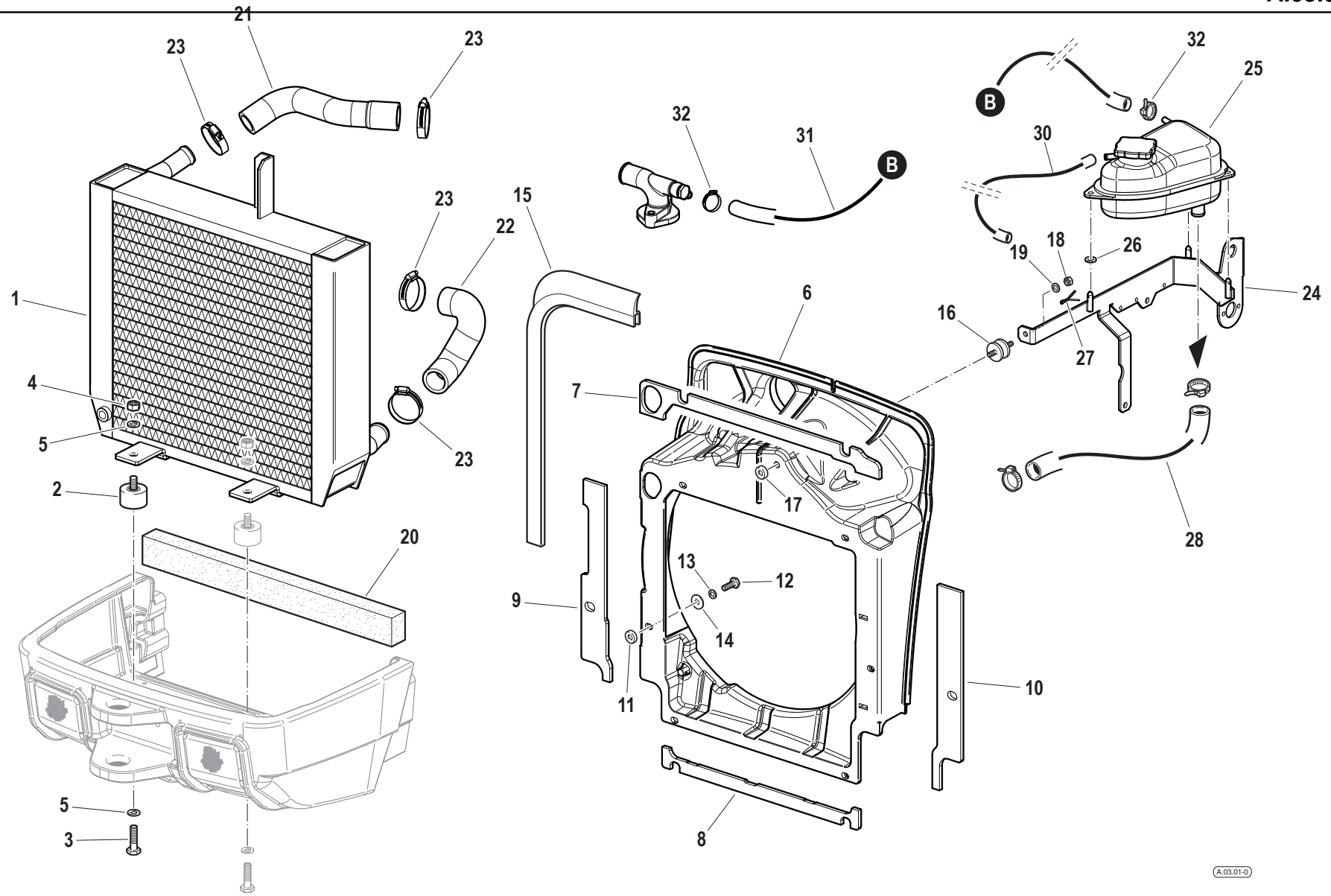


Pos.	Code	Q.ty	Description	Notes
1	590A1425	1	PEDALE ACCEL.COMPL.K30-K40-AR-	
2	56071768	2	PLATE	
3	31112148	2	SCREW TE M8X18 UNI 5739 8G	
4	F0843643060	3	WASHER 8	
5	F0831125000	1	SPRING	
6	58177111	1	SLEEVE	
7	590A1354	1	HAND ACCELERAT. FIXING PLATE	
8	31112090	2	SCREW TE M6X16 UNI 5739 8G	
9	F0843570000	2	WASHER 6	
10	P23810600000	1	ACCELERATOR	
11	31132562	2	SCREW TSVEI M6X16 UNI 5933	
12	561A1375	1	ACCELERATOR CABLE ADJ. SUPPORT	
13	561A1376	1	ACCELERATOR CABLES STOP	
14	580A1566	1	ACCELERATOR CONTROL CABLE	
15	580A1567	1	HAND ACCELERATOR CONTROL CABLE	
16	56177656	2	REGISTER	
17	31231080	2	NUT M8	
18	58048002	2	CLAMPING SCREW	
19	561A1694	3	PIAS.FERM.GUAINA K30-40-AR ZNT	



Pos.	Code	Q.ty	Description	Notes
1	590A1425	1	PEDALE ACCEL.COMPL.K30-K40-AR-	
2	56071768	2	PLATE	
3	31112148	2	SCREW TE M8X18 UNI 5739 8G	
4	F0843643060	3	WASHER 8	
5	F0831125000	1	SPRING	
6	58177111	1	SLEEVE	
7	590A1354	1	HAND ACCELERAT. FIXING PLATE	
8	31112090	2	SCREW TE M6X16 UNI 5739 8G	
9	F0843570000	2	WASHER 6	
10	P23810600000	1	ACCELERATOR	
11	31132562	2	SCREW TSVEI M6X16 UNI 5933	
12	561A1375	1	ACCELERATOR CABLE ADJ. SUPPORT	
13	561A1376	1	ACCELERATOR CABLES STOP	
14	580A1564	1	ACCELERATOR CONTROL CABLE	
15	580A1565	1	HAND ACCELERAT. CONTROL CABLE	
16	56177656	2	REGISTER	
17	31231080	2	NUT M8	
18	58048002	2	CLAMPING SCREW	
19	561A1694	3	PIAS.FERM.GUAINA K30-40-AR ZNT	

COOLER



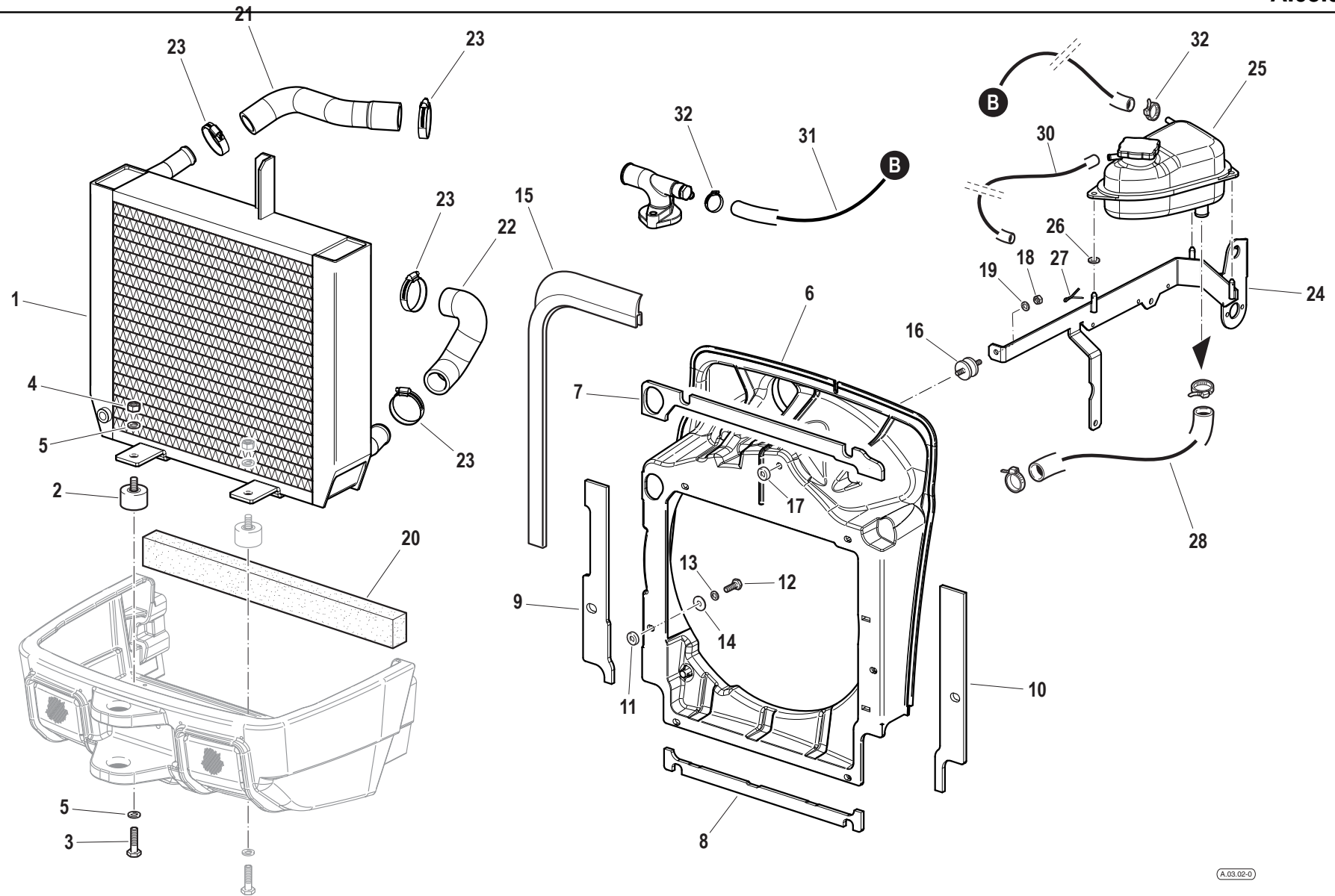
Pos.	Code	Q.ty	Description	Notes
1	581A1600	1	RADIATOR	
2	58179783	2	SILENT-BLOCK	
3	31112226	2	SCREW TE M10x18 UNI 5739	
4	F0814632000	2	NUT M10	
5	F0843755000	4	WASHER 10	
6	552A1075	1	RADIATOR CONVEYOR	
7	581A1690	1	COOLER UPPER GASKET	
8	581A1691	1	COOLER LOWER GASKET	
9	581A1692	1	COOLER RH SIDE BASKET	
10	581A1693	1	COOLER LH SIDE GASKET	
11	561A1679	6	SPACER D.12x6,5/4	
12	31112093	6	SCREW TE M6X20 UNI 5739 8G	
13	F0843570000	6	WASHER 6	
14	31411066	6	WASHER 6,6x18	
15	F0256809050	1	GASKET	
16	F0849206005	1	SILENT-BLOCK	
17	561A1680	1	SPACER D.20x7,0/4	
18	31211060	2	NUT M6	
19	F0843570000	2	WASHER 6	
20	573A0226	1	COOLER SPONGY GASKET	
21	551A1295	1	COOLER WATER-IN-PIPE	
22	551A1296	1	COOLER WATER-OUT-PIPE	
23	P40533900000	4	CLAMP	
24	590A1369	1	COOLER TUB SUPPORT	
25	58093053	1	CUP	
26	F0824022000	3	SPECIAL GASKET D.8,4X12/1	
27	F0810510000	3	SPLIT PIN A2,0X20 UNI 1336	
28	551A1433	1	COOLER TUB PIPE	
29	P12329800000	2	CLAMP 16-25 SX9CW1	
30	F0256112009	1	PIPE	
31	58075873	1	VENT HOSE	
32	P97917900000	2	CLAMP 10-16	

SERIAL

COOLER
Engine: 30 CV

CODE REV

A.03.01_0_77926



Pos.	Code	Q.ty	Description	Notes
1	581A1600	1	RADIATOR	
2	58179783	2	SILENT-BLOCK	
3	31112226	2	SCREW TE M10x18 UNI 5739	
4	F0814632000	2	NUT M10	
5	F0843755000	4	WASHER 10	
6	552A1075	1	RADIATOR CONVEYOR	
7	581A1690	1	COOLER UPPER GASKET	
8	581A1691	1	COOLER LOWER GASKET	
9	581A1692	1	COOLER RH SIDE BASKET	
10	581A1693	1	COOLER LH SIDE GASKET	
11	561A1679	6	SPACER D.12x6,5/4	
12	31112093	6	SCREW TE M6X20 UNI 5739 8G	
13	F0843570000	6	WASHER 6	
14	31411066	6	WASHER 6,6x18	
15	F0256809050	1	GASKET	
16	F0849206005	1	SILENT-BLOCK	
17	561A1680	1	SPACER D.20x7,0/4	
18	31211060	2	NUT M6	
19	F0843570000	2	WASHER 6	
20	573A0226	1	COOLER SPONGY GASKET	
21	551A1295	1	COOLER WATER-IN-PIPE	
22	551A1296	1	COOLER WATER-OUT-PIPE	
23	P40533900000	4	CLAMP	
24	590A1371	1	COOLER TUB SUPPORT	
25	58093053	1	CUP	
26	F0824022000	3	SPECIAL GASKET D.8,4X12/1	
27	F0810510000	3	SPLIT PIN A2,0X20 UNI 1336	
28	551A1433	1	COOLER TUB PIPE	
29	P12329800000	2	CLAMP 16-25 SX9CW1	
30	F0256112009	1	PIPE	
31	580A1569	1	HOSE R6(8x14)L=460	
32	P97917900000	2	CLAMP 10-16	

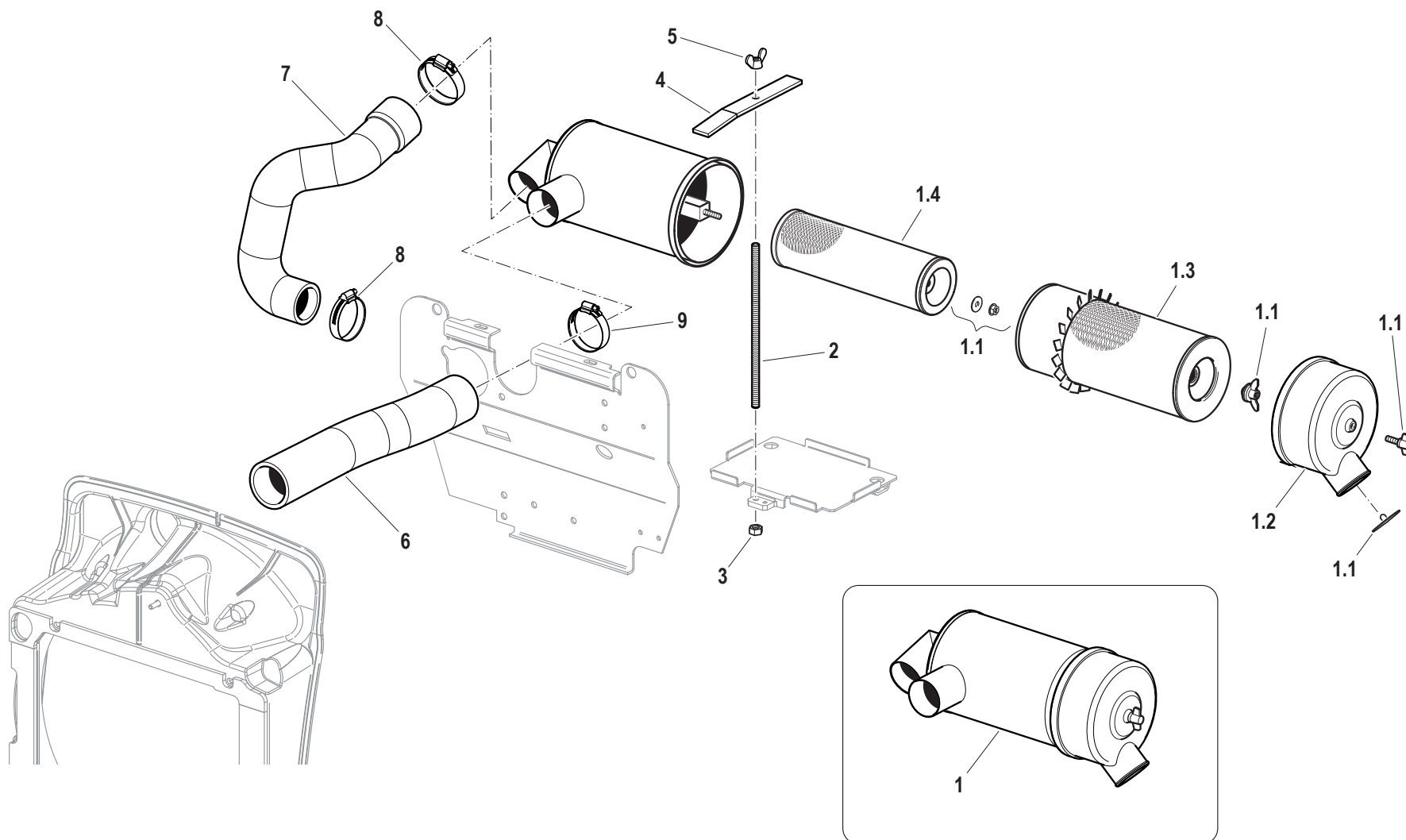
SERIAL

COOLER
Engine: 40 CV

CODE REV

A.03.02_0_77959

AIR FILTER



Pos.	Code	Q.ty	Description	Notes
1	581A1383	1	AIR FILTER	
1.1	59900353	1	KIT	
1.2	59900347	1	COVER	
1.3	58172773	1	AIR FILTER CARTRIDGE	
1.4	59900144	1	FILTER INSERT	
2	56174635	1	ROD	
3	31211080	1	NUT M8	
4	561A1515	1	BATTERY FILTER BRACKET	
5	31200501	1	NUT M8	
6	551A1293	1	FILTER SUCTION PIPE	
7	551A1294	1	ENGINE AIR FILTER PIPE	
8	P45372700000	2	CLAMP	
9	F0817550100	1	CLAMP	

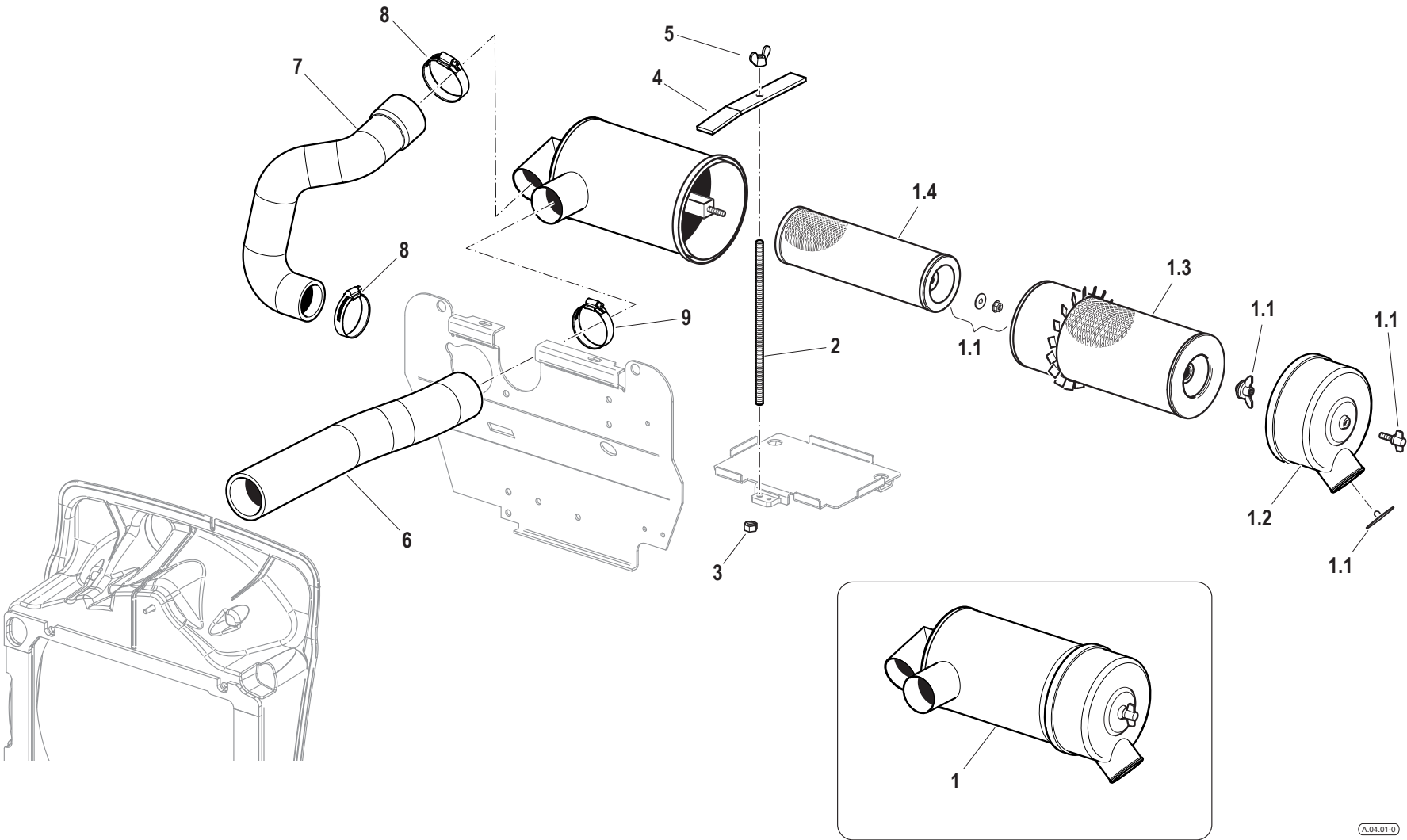
SERIAL

AIR FILTER
Engine: 30 CV

CODE REV

A.04.01_0_77992

AIR FILTER



Pos.	Code	Q.ty	Description	Notes
1	581A1383	1	AIR FILTER	
1.1	59900353	1	KIT	
1.2	59900347	1	COVER	
1.3	58172773	1	AIR FILTER CARTRIDGE	
1.4	59900144	1	FILTER INSERT	
2	56174635	1	ROD	
3	31211080	1	NUT M8	
4	561A1515	1	BATTERY FILTER BRACKET	
5	31200501	1	NUT M8	
6	551A1292	1	FILTER SUCTION PIPE	
7	551A1294	1	ENGINE AIR FILTER PIPE	
8	P45372700000	2	CLAMP	
9	F0817550100	1	CLAMP	

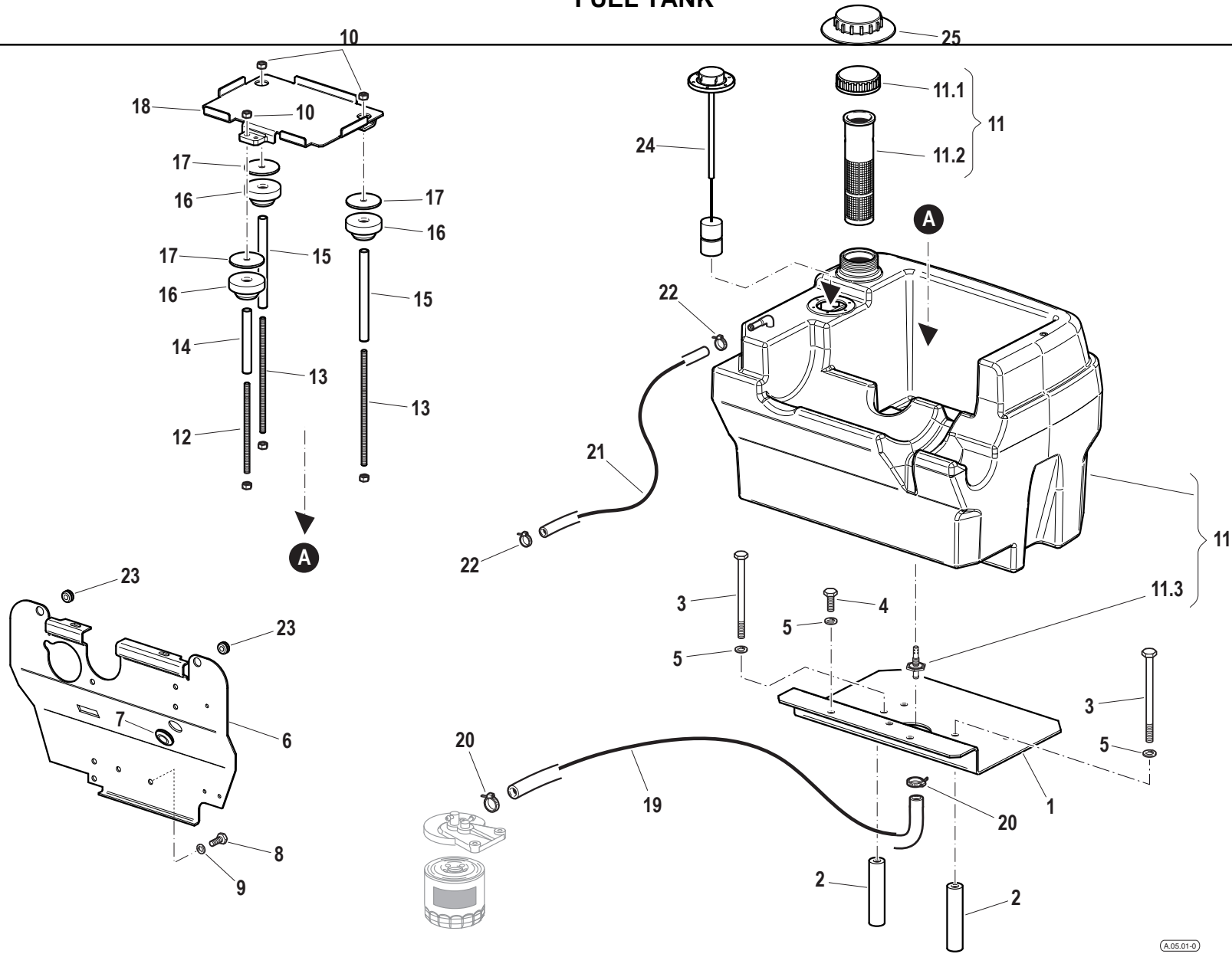
SERIAL

AIR FILTER
Engine: 40 CV

CODE REV

A.04.02_0_78006

FUEL TANK



Pos.	Code	Q.ty	Description	Notes
1	590A1478	1	TANK SUPPORT	
2	560A1527	2	SPACER D.25x12,4/125	
3	31111219	2	HEX SCREW M10X145 UNI 5739-5	
4	31112210	2	SCREW TE M10X20 UNI 5739	
5	F0843755000	4	WASHER 10	
6	561A1361	1	ENGINE TANK WALL	
7	58171901	1	CABLE GLAND 15,5-24-32-2	
8	31111151	4	SCREW TE M8X16 UNI 5739 8G	
9	F0843643060	4	WASHER 8	
10	31211080	6	NUT M8	
11	552A1049	1	FUEL TANK	
11.1	F0849500001	1	TANK COVER	
11.2	F0849500002	1	FILTER	
11.3	57174915	1	PIPE FITTING	
12	561A1514	1	ROD M8x157	
13	56077608	2	ROD	
14	561A1513	1	SPACER D.14x9/109	
15	56176696	2	SPACER D.14x9/155,5	
16	58076752	3	STOPPER	
17	56176814	3	SPACER D.55x8/4	
18	590A1483	1	BATTERY SUPPORT	
19	58075193	1	FLEXIBLE HOSE	
20	P97917900000	2	CLAMP 10-16	
21	58074199	1	FLEXIBLE HOSE	
22	F0817505100	2	CLAMP	
23	F0825414000	2	CABLE GLAND 7-15-18,5-2,5	
24	28173187	1	LOW LEVEL GAUGE	
25	57371900	1	LINING	

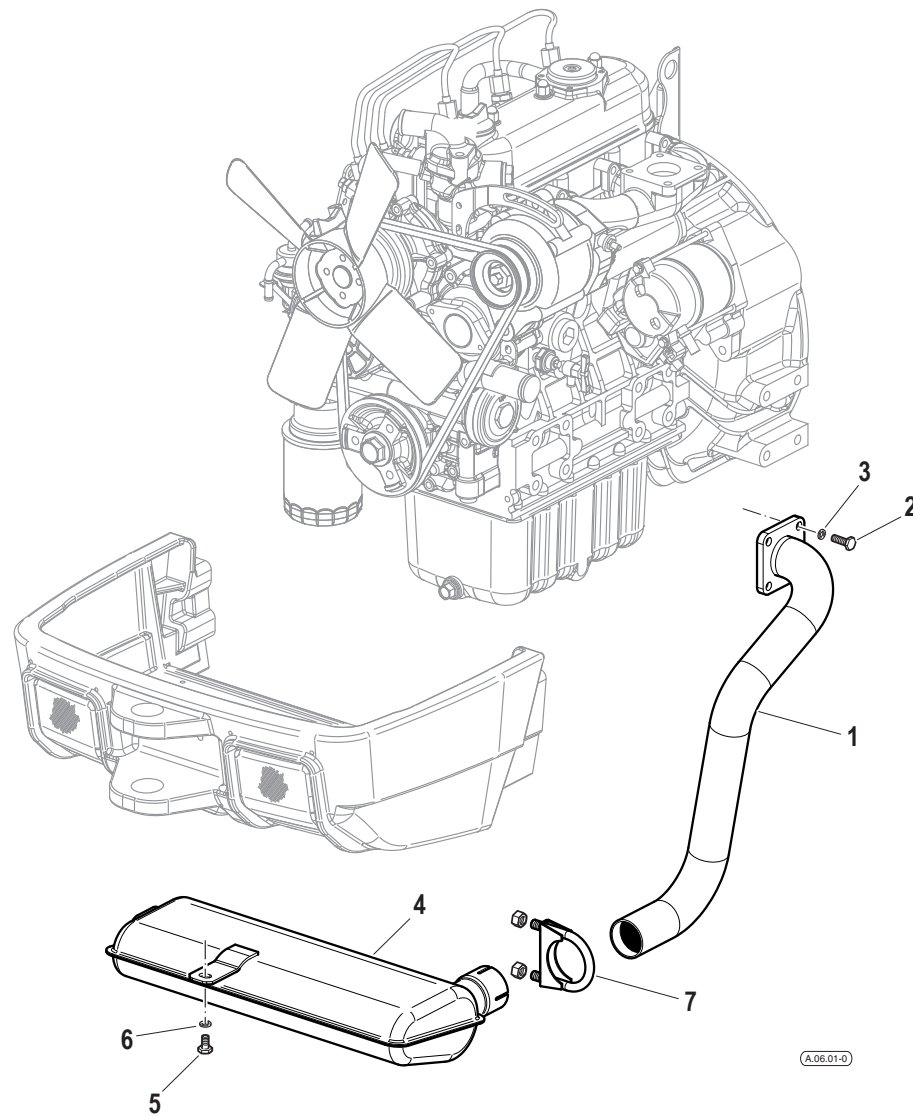
SERIAL

FUEL TANK

CODE REV

A.05.01_0_78020

MUFFLER



A.06.01-0

Pos.	Code	Q.ty	Description	Notes
1	590A1197N	1	EXHAUST PIPE (BLACK)	
2	31112150	4	SCREW TE M8X20 UNI 5739 8G	
3	F0843643060	4	WASHER 8	
4	581A1200N	1	EXHAUST SILENCER	
5	31111151	1	SCREW TE M8X16 UNI 5739 8G	
6	F0843643060	1	WASHER 8	
7	58173010	1	COLLAR	

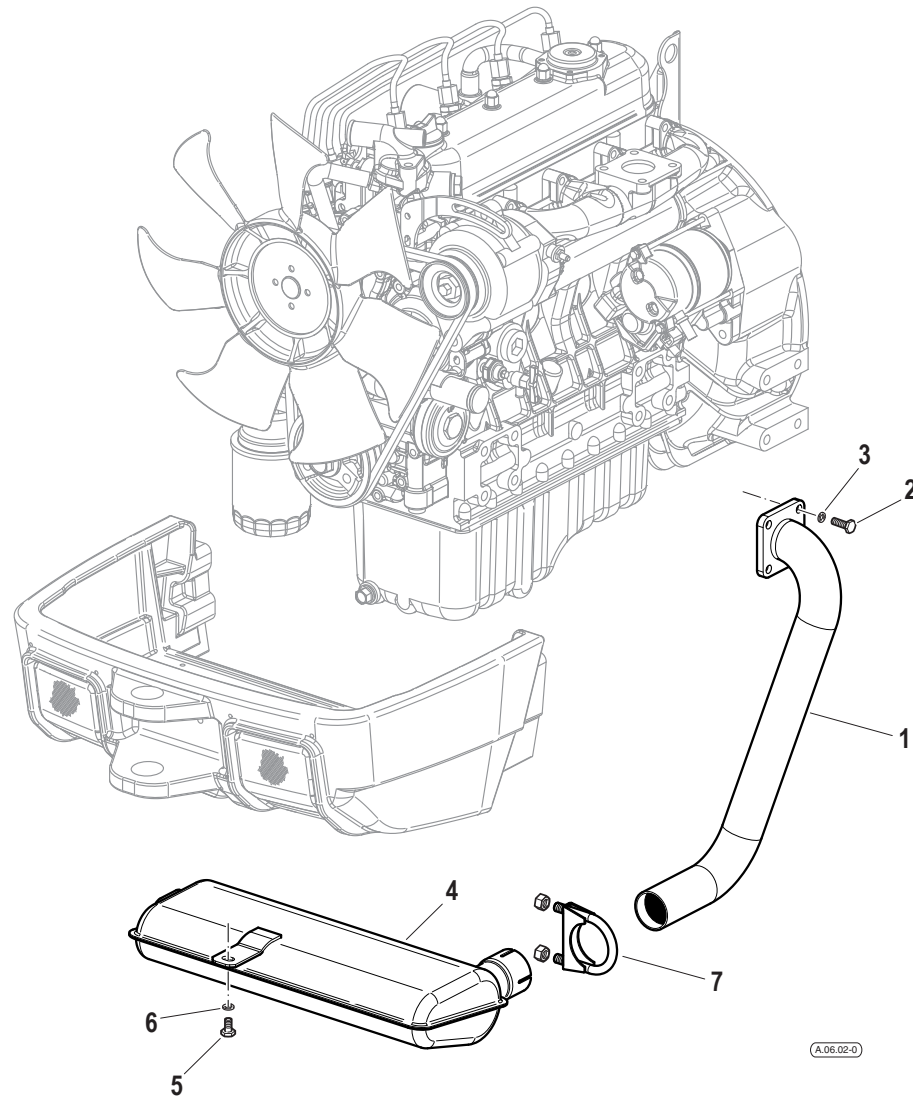
SERIAL

MUFFLER
Engine: 30 CV

CODE REV

A.06.01_0_78345

MUFFLER



Pos.	Code	Q.ty	Description	Notes
1	590A1197N	1	EXHAUST PIPE (BLACK)	
2	31112150	4	SCREW TE M8X20 UNI 5739 8G	
3	F0843643060	4	WASHER 8	
4	581A1200N	1	EXHAUST SILENCER	
5	31111151	1	SCREW TE M8X16 UNI 5739 8G	
6	F0843643060	1	WASHER 8	
7	58173010	1	COLLAR	

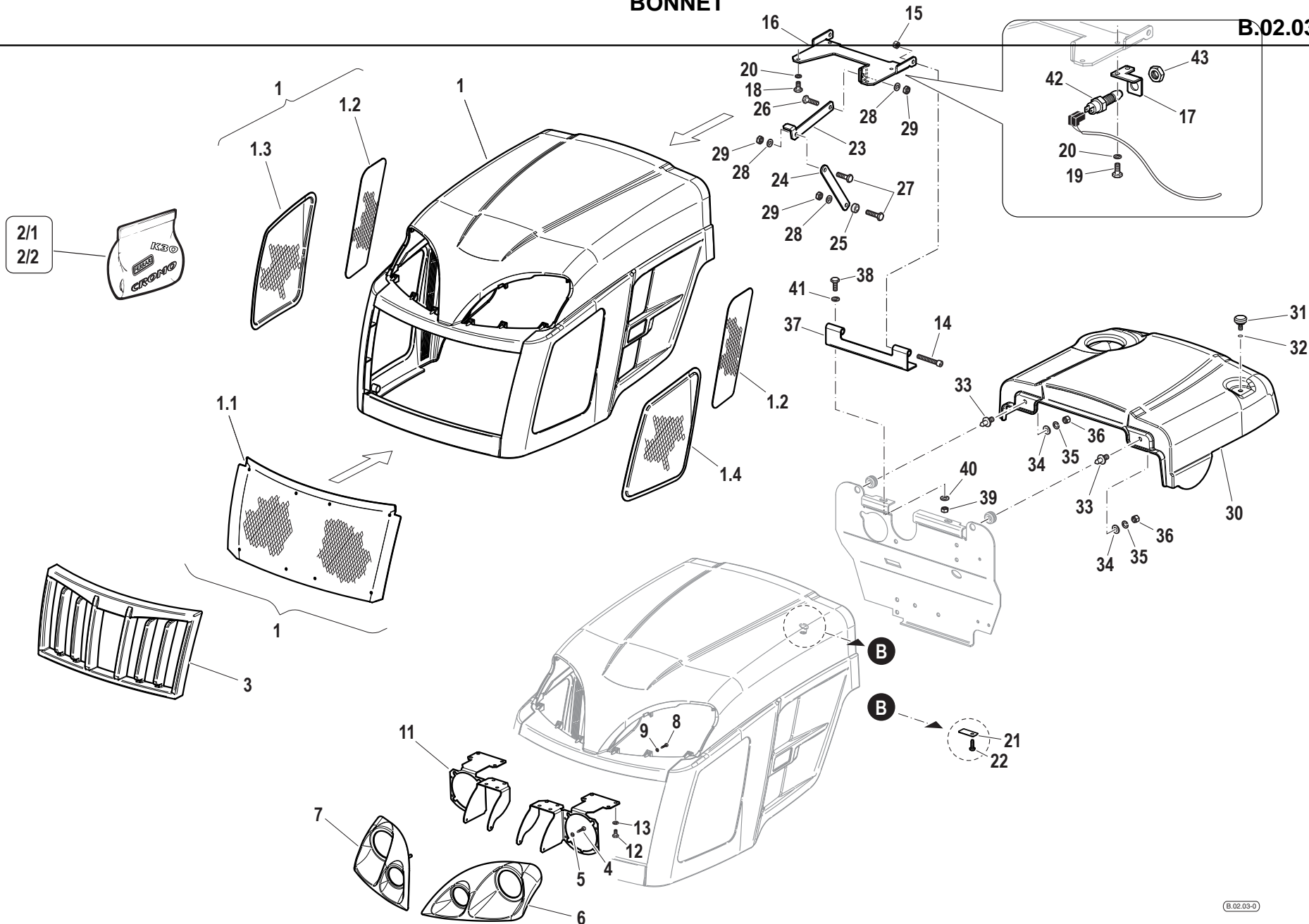
SERIAL

MUFFLER
Engine: 40 CV

CODE REV

A.06.02_0_78353

BONNET



Pos.	Code	Q.ty	Description	Notes
1	590A1315V	1	COMPLETE HOOD	
1.1	560A1303N	1	FRONT GRILLE	
1.2	560A1307N	2	REAR SIDE GRILLE	
1.3	560A1305N	1	LH FRONT GRILL	
1.4	560A1306N	1	RH FRONT GRILL	
2/1	59901431	1	CROMO 30 RS HOOD DECAL SET	
2/2	59901433	1	HOOD DECALS KIT	
3	552A1073	1	FRONT GRILLE	
4	31510092	8	RIBBED SCREW 3,5X16AB UNI6954	
5	31411043	8	WASHER 4,3X9	
6	552A1072	1	LH LIGHT COVER	
7	552A1071	1	RH LIGHT COVER	
8	31510090	10	RIBBED SCREW	
9	31413042	10	WASHER 3,2	
10	561A1358	1	LIGHT SUPPORT LH BRACKET	
11	561A1359	1	LIGHTS SUPPORT RH BRACKET	
12	31112082	8	SCREW TE M6X12 UNI 5739 8G	
13	F0843570000	8	WASHER 6	
14	31152088	2	SCREW TCEI M8X55 UNI 5931	
15	31241081	2	SELFLOCK NUT M8	
16	561A1320	1	HOOD HINGE	
17	561A1519	1	MICROSWITCH SUPPORT	
18	31111091	3	SCREW E M6X14 UNI 5739 8G	
19	31112090	2	SCREW TE M6X16 UNI 5739 8G	
20	F0843570000	5	WASHER 6	
21	56179997Z	2	CONTROL PLATE	
22	F0861830100	2	RIBBED SCREW 3,9X13AB DIN7981	
23	561A1590	1	UPPER HINGE	
24	561A1591Z	1	LOWER HINGE	
25	56172079	1	SPACER	
26	31112152	1	SCREW TE M8X30 UNI 5739 8G	
27	31112150	2	SCREW TE M8X20 UNI 5739 8G	
28	31411084	3	WASHER 8,4x17	
29	31241081	3	SELFLOCK NUT M8	

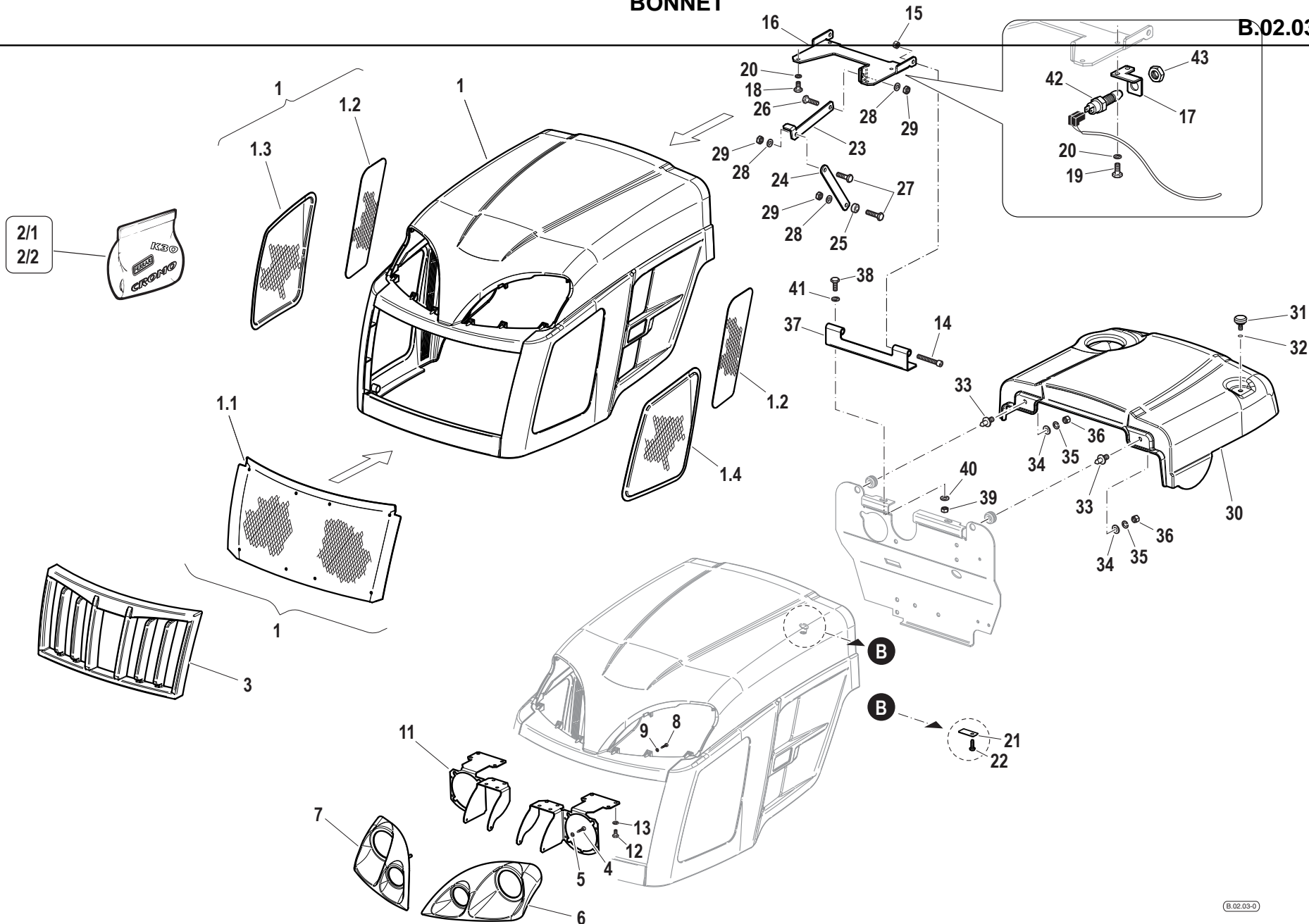
SERIAL

BONNET
Engine: 30 CV

CODE REV

B.02.03_0_78411

BONNET



Pos.	Code	Q.ty	Description	Notes
30	552A1074V	1	TANK COVER	
31	56174835	1	KNOB	
32	35211060	1	SEEGER RING E 6 UNI 7434	
33	59074662	2	PIN	
34	31411084	2	WASHER 8,4x17	
35	F0843643060	2	WASHER 8	
36	31211080	2	NUT M8	
37	561A0084	1	HOOD HINGE	
38	31112150	2	SCREW TE M8X20 UNI 5739 8G	
39	31211080	2	NUT M8	
40	F0843643060	2	WASHER 8	
41	31411084	2	WASHER 8,4x17	
42	30000638	1	SWITCH	
42	F0825414000	2	CABLE GLAND 7-15-18,5-2,5	
43	31231161	1	NUT M16X1,5	

SERIAL

BONNET
Engine: 30 CV

CODE REV

B.02.03_0_78411

Pos.	Code	Q.ty	Description	Notes
1	590A1310V	1	COMPLETE HOOD	
1.1	560A1303N	1	FRONT GRILLE	
1.2	560A1307N	2	REAR SIDE GRILLE	
1.3	560A1305N	1	LH FRONT GRILL	
1.4	560A1306N	1	RH FRONT GRILL	
2/1	59901431	1	CROMO 30 RS HOOD DECAL SET	
2/2	59901433	1	HOOD DECALS KIT	
3	552A1073	1	FRONT GRILLE	
4	31510092	8	RIBBED SCREW 3,5X16AB UNI6954	
5	31411043	8	WASHER 4,3X9	
6	552A1072	1	LH LIGHT COVER	
7	552A1071	1	RH LIGHT COVER	
8	31510090	10	RIBBED SCREW	
9	31413042	10	WASHER 3,2	
10	561A1358	1	LIGHT SUPPORT LH BRACKET	
11	561A1359	1	LIGHTS SUPPORT RH BRACKET	
12	31112082	8	SCREW TE M6X12 UNI 5739 8G	
13	F0843570000	8	WASHER 6	
14	31152088	2	SCREW TCEI M8X55 UNI 5931	
15	31241081	2	SELFLOCK NUT M8	
16	561A1320	1	HOOD HINGE	
17	561A1519	1	MICROSWITCH SUPPORT	
18	31111091	3	SCREW E M6X14 UNI 5739 8G	
19	31112090	2	SCREW TE M6X16 UNI 5739 8G	
20	F0843570000	5	WASHER 6	
21	56179997Z	3	CONTROL PLATE	
22	F0861830100	3	RIBBED SCREW 3,9X13AB DIN7981	
23	561A1590	1	UPPER HINGE	
24	561A1591Z	1	LOWER HINGE	
25	56172079	1	SPACER	
26	31112152	1	SCREW TE M8X30 UNI 5739 8G	
27	31112150	2	SCREW TE M8X20 UNI 5739 8G	
28	31411084	3	WASHER 8,4x17	
29	31241081	3	SELFLOCK NUT M8	

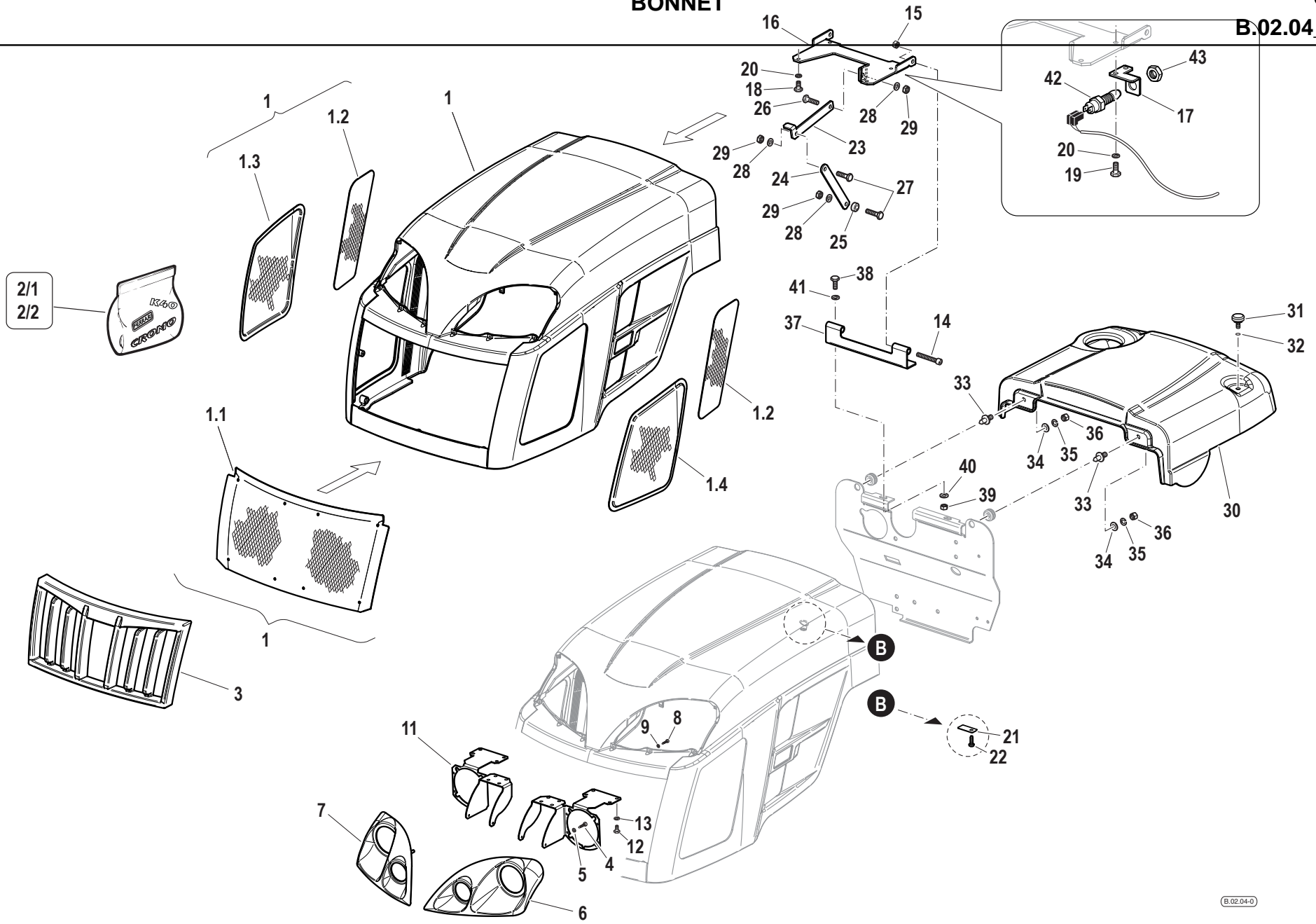
SERIAL

BONNET
Engine: 40 CV

CODE REV

B.02.04_0_78461

BONNET



Pos.	Code	Q.ty	Description	Notes
30	552A1074V	1	TANK COVER	
31	56174835	1	KNOB	
32	35211060	1	SEEGER RING E 6 UNI 7434	
33	59074662	2	PIN	
34	31411084	2	WASHER 8,4x17	
35	F0843643060	2	WASHER 8	
36	31211080	2	NUT M8	
37	561A0084	1	HOOD HINGE	
38	31112150	2	SCREW TE M8X20 UNI 5739 8G	
39	31211080	2	NUT M8	
40	F0843643060	2	WASHER 8	
41	31411084	2	WASHER 8,4x17	
42	30000638	1	SWITCH	
42	F0825414000	2	CABLE GLAND 7-15-18,5-2,5	
43	31231161	1	NUT M16X1,5	

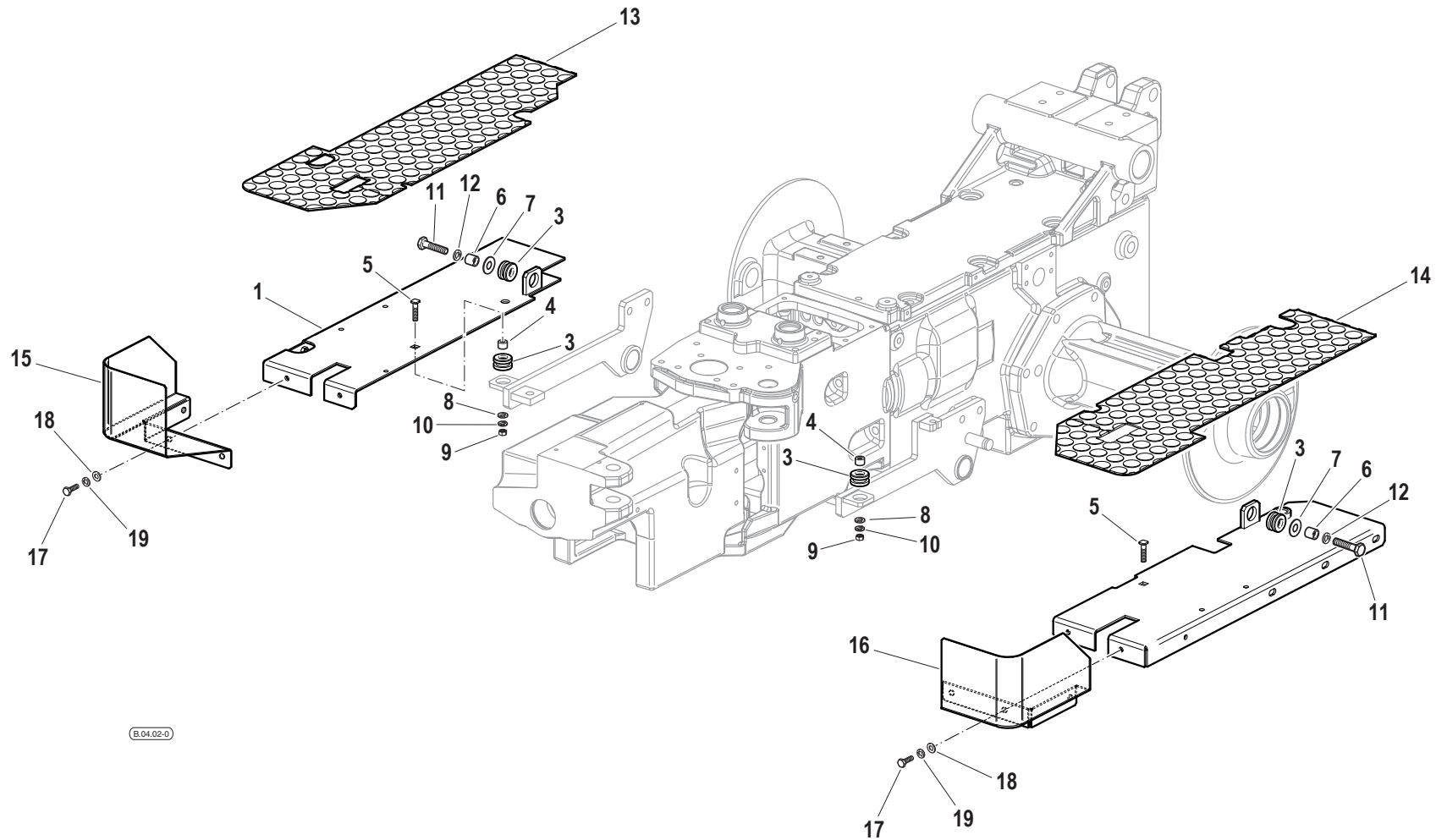
SERIAL

BONNET
Engine: 40 CV

CODE REV

B.02.04_0_78461

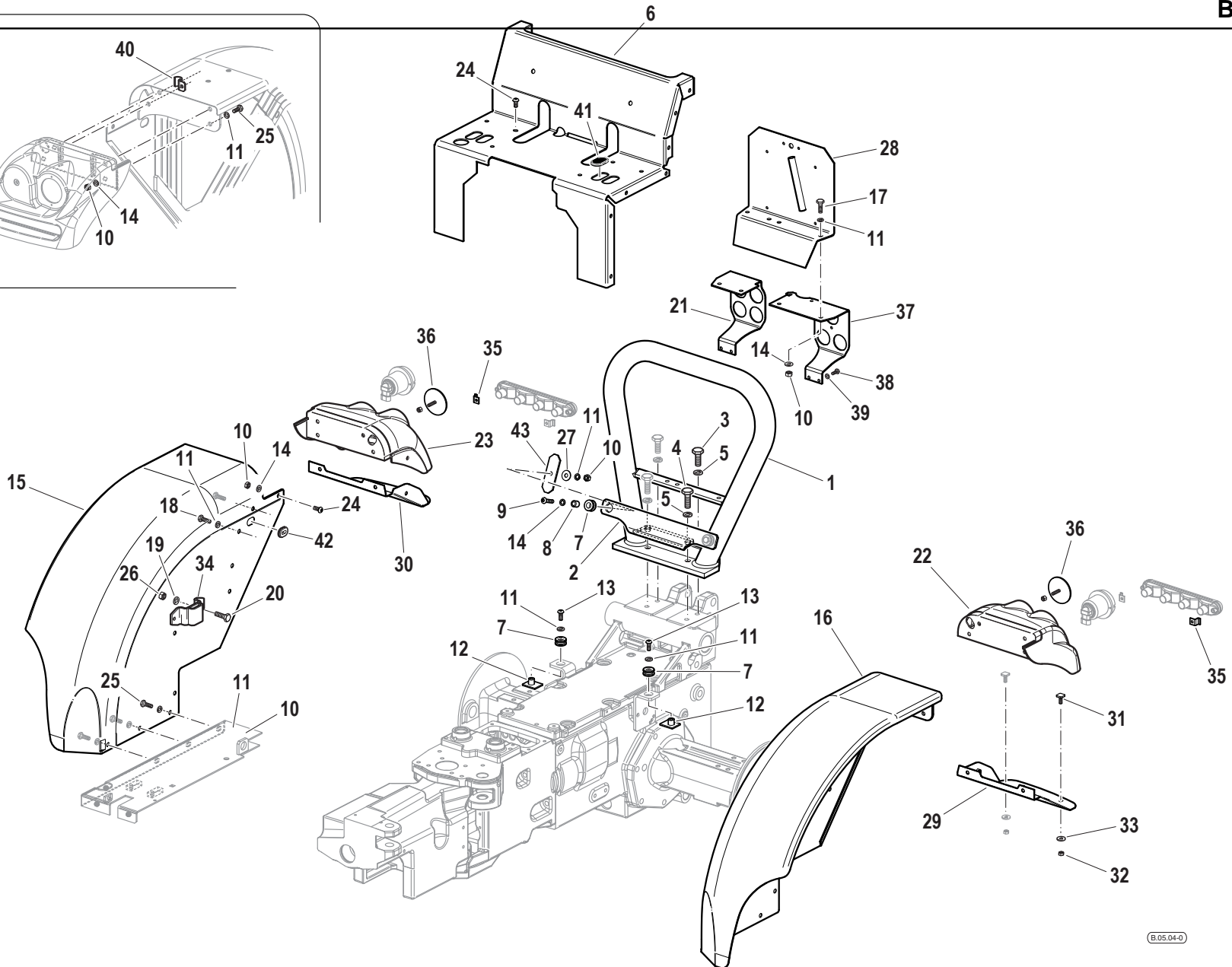
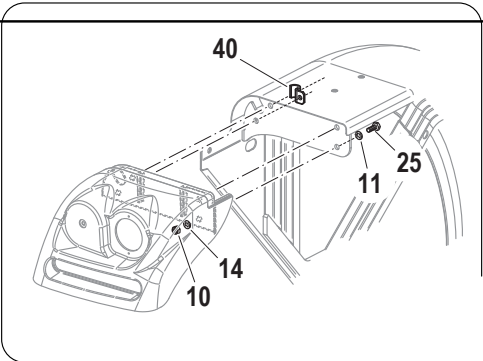
Pos.	Code	Q.ty	Description	Notes
1	590A1253	1	FRONT ROLL-BAR LH COLUMN	
2	590A1254	1	FRONT ROLL-BAR RH COLUMN	
3	31112272	8	SCREW TE M12X30 UNI 5739	
4	F0843843060	8	WASHER 12	
5	590A1278N	1	FRONT ROLL-OVER PROTECTION	
6	59076690	2	HINGE PIN	
7	P91728000000	2	GRIP	
8	P43914900000	2	SPLIT PIN	
9	F0864377000	2	SCREW M16X70 UNI 5737	
10	F0814794000	2	SELFLOCK NUT M16 CL.6	
11	590A1284V	1	LEFT FRONT FENDER	
12	590A1288V	1	RIGHT FRONT FENDER	
13	561A1575F	2	LIGHTS CABLE PROTECTION	
14	31112150	6	SCREW TE M8X20 UNI 5739 8G	
15	31411084	10	WASHER 8,4x17	
16	F0843643060	10	WASHER 8	
17	55279804	1	LAMP HOLDER	
18	55279805	1	LAMP HOLDER	
19	590A0849	1	GUARD	
20	590A0848	1	GUARD	
21	F0861831000	6	RIBBED SCREW 4,8X13 UNI 6950	
22	59070591	1	SUPPORT	
23	58170968	1	PLUG	
24	30000514	1	REAR VIEW MIRROR	
25	58079929	4	SCREW	
26	F0814547000	4	SELFLOCK NUT M6	
27	31411064	4	WASHER 6,4x12,5	
28	56177045	4	RETAINER	
29	31112147	4	SCREW TE M8X18 UNI 5739 8G	
30	31211080	6	NUT M8	



E.04.02-0

Pos.	Code	Q.ty	Description	Notes
1	590A1408	1	PEDANA DX COMPL.K30-K40-AR-	
2	590A1410	1	PEDANA SX COMPL.K30-K40-AR-	
3	55175174	4	BLOCK	
4	56171996	2	SPACER	
5	580A0361	2	SCREW M8x35 8.8	
6	56171954	2	SPACER	
7	F0843818000	4	WASHER 11x30/2,5	
8	31411090	2	WASHER 9x24	
9	31211080	2	NUT M8	
10	F0843643060	2	WASHER 8	
11	31112213	2	SCREW TE M10X40 UNI 5739	
12	F0843755000	2	WASHER 10	
13	573A1528	1	COPRIP.DX 35-45 AR(A2084) mr *	
14	573A1529	1	COPRIP.SX 35-45 AR(A2085) mr *	
15	561A1456N	1	PROT.PEDANA DX K30-K40-AR-NERO	
16	561A1457N	1	PROT.PEDANA SX K30-K40-AR-NERO	
17	31112147	3	SCREW TE M8X18 UNI 5739 8G	
18	31411084	3	WASHER 8,4x17	
19	F0843643060	3	WASHER 8	

REAR MODGUARDS (VEGA)



Pos.	Code	Q.ty	Description	Notes
1	590A1350	1	REAR ROLL-OVER PROTECTION	
2	561A1356	1	CROSSPIECE FIXATION BRACKET	
3	31112264	2	SCREW TE M12X35 UNI 5739	
4	F0863925000	2	SCREW M12X40 UNI 5737	
5	F0843843060	4	WASHER 12	
6	590A1325V	1	TRAV.POST(A1325)AR VERDE	
7	55175174	4	BLOCK	
8	56171996	2	SPACER	
9	31121017	2	SCREW TBCEI M8x35	
10	31211080	22	NUT M8	
11	F0843643060	22	WASHER 8	
12	590A1394	2	SILENT BLOCK SPACER	
13	31121007	2	SCREW BCEI M8X20 ISO7380	
14	31411084	34	WASHER 8,4x17	
15	590A1308V	1	LEFT REAR FENDER	
16	590A1322V	1	RIGHT REAR FENDER	
17	31112151	2	SCREW TE M8X25 UNI 5739 8G	
18	31112147	14	SCREW TE M8X18 UNI 5739 8G	
19	31411105	20	WASHER 10,5x21	
20	31112208	2	SCREW TE M10X16 UNI 5739	
21	561A1328	1	QUICK COUPLING RH BRACKET	
22	55279806	1	LAMP HOLDER	
23	55279807	1	LAMP HOLDER	
24	F0862479020	4	SCREW M8X16 7380	
25	31111151	14	SCREW TE M8X16 UNI 5739 8G	
26	31212100	2	NUT M10	
27	31411090	2	WASHER 9x24	
28	590A1384	1	PLATE SUPPORT	
29	590A1381	1	PROTECTION TOOL LH REAR LAMP	
30	590A0058	1	COVER	
31	58079929	4	SCREW	
32	F0814547000	4	SELFLOCK NUT M6	
33	31411064	4	WASHER 6,4x12,5	
34	59070592	1	LEVER BEARING	

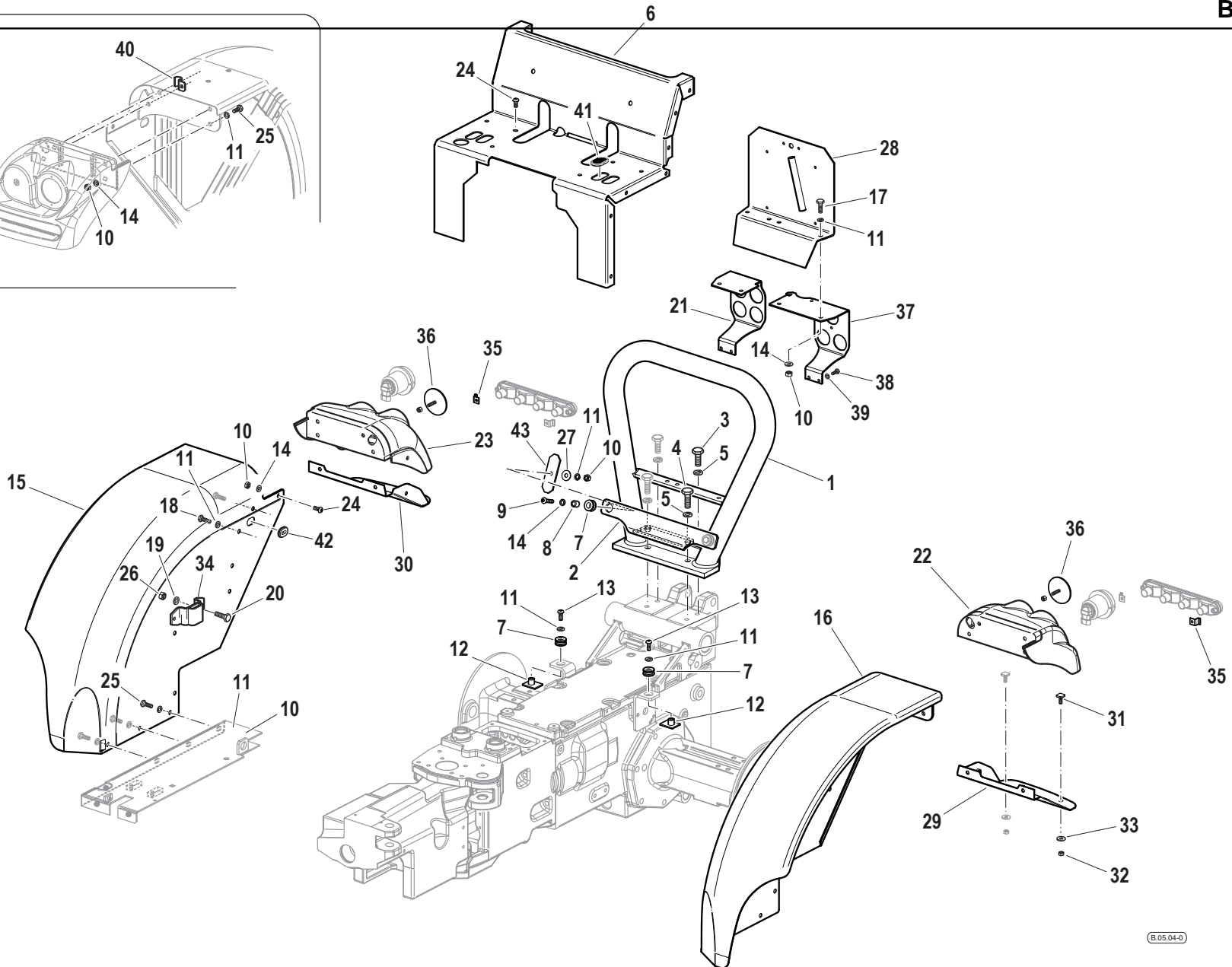
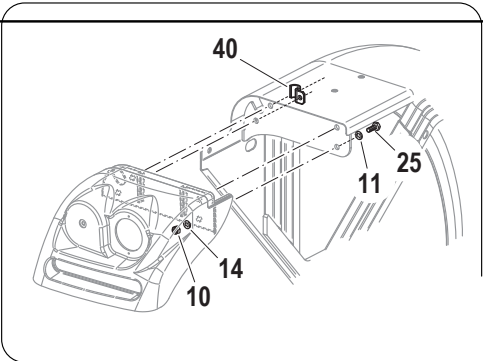
SERIAL

REAR MODGUARDS (VEGA)

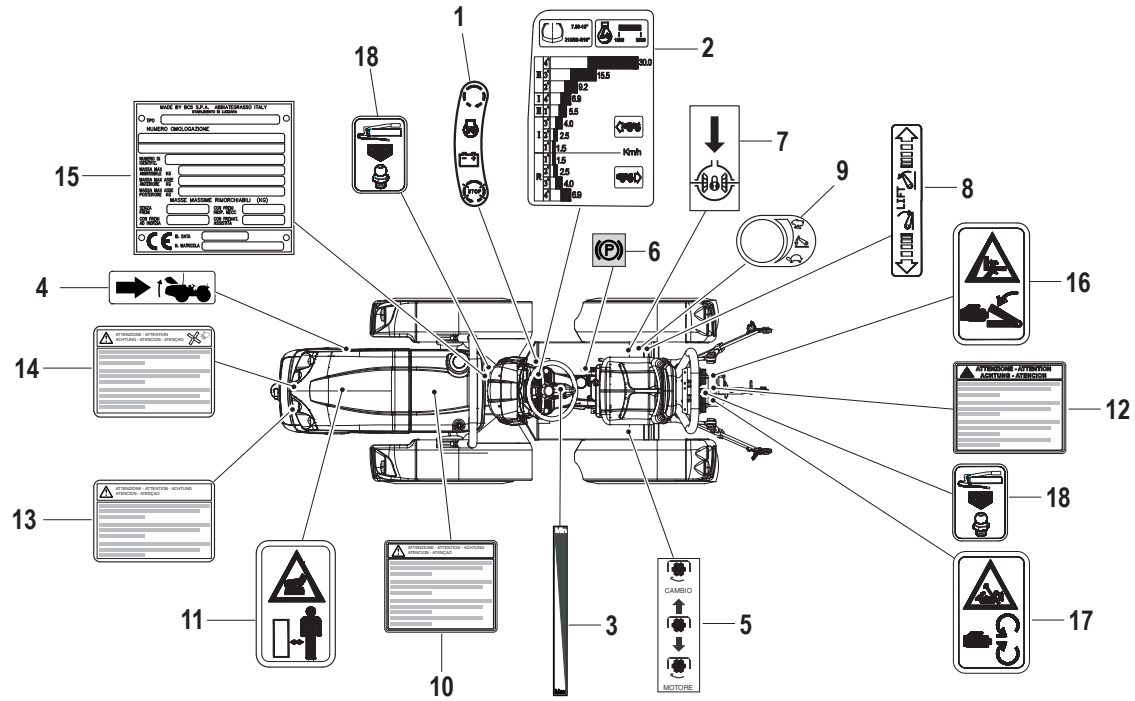
CODE REV

B.05.04_0_78617

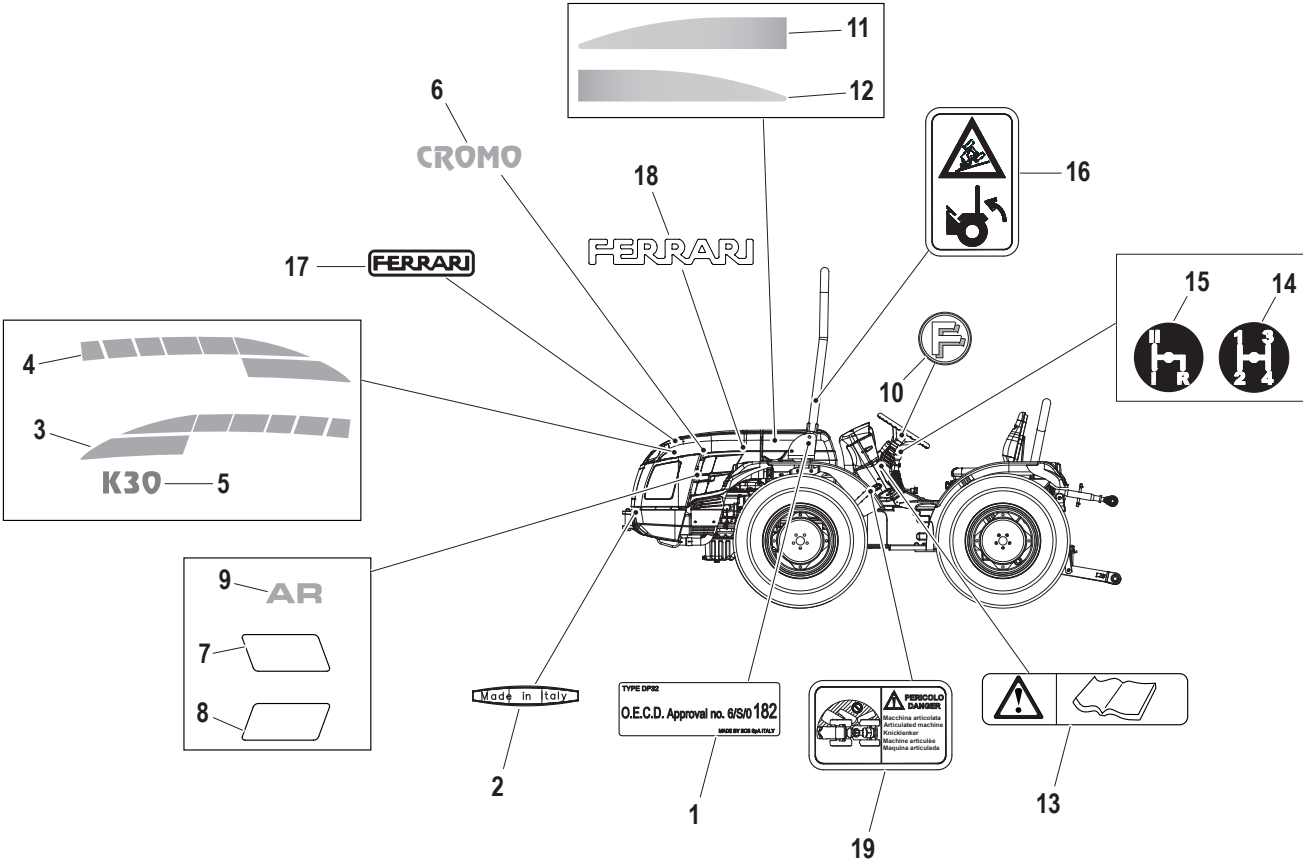
REAR MODGUARDS (VEGA)



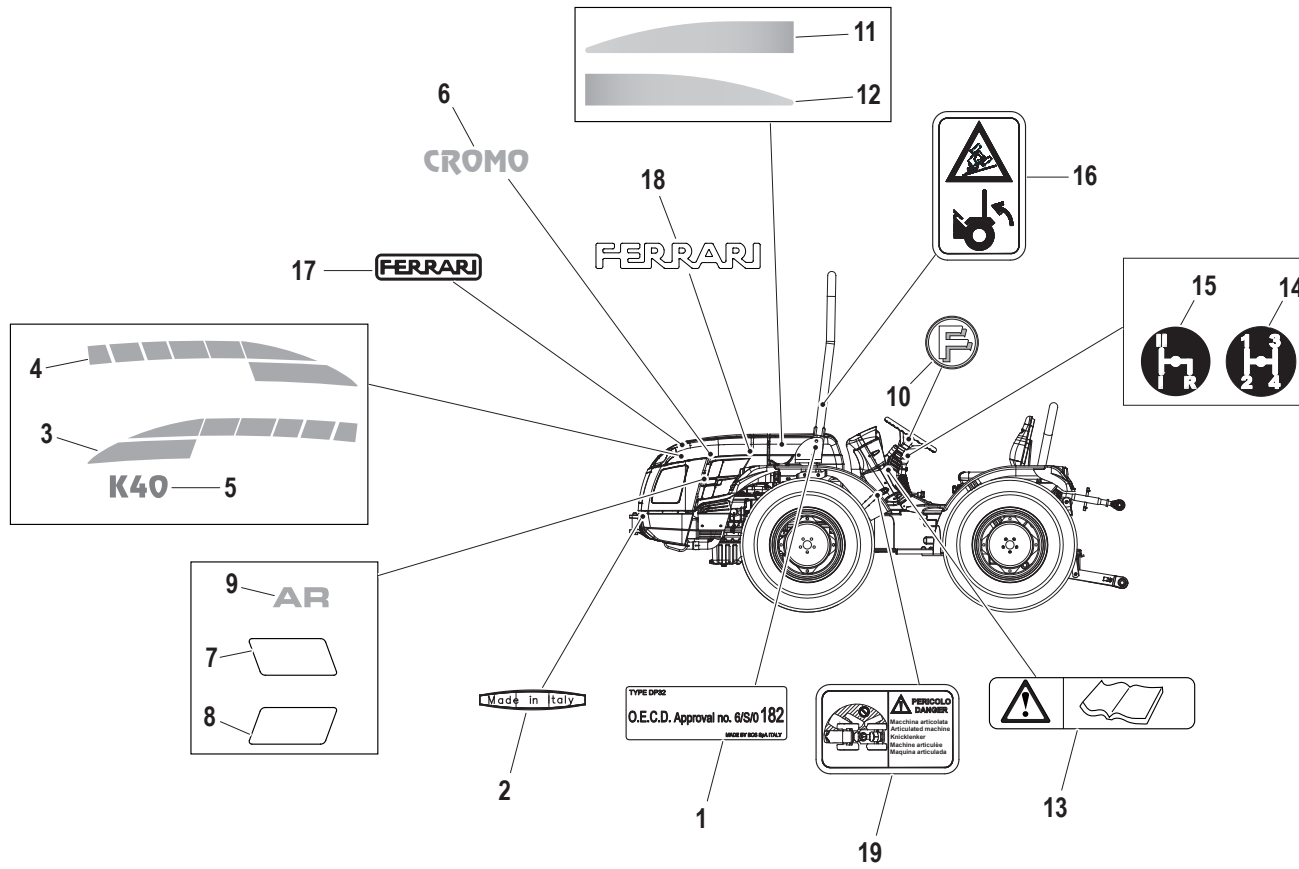
Pos.	Code	Q.ty	Description	Notes
35	56177045	4	RETAINER	
36	58177330	2	REFLECTOR	
37	561A1327	1	QUICK COUPLING LH BRACKET	
38	31112090	2	SCREW TE M6X16 UNI 5739 8G	
39	F0843570000	2	WASHER 6	
40	F0825414000	2	CABLE GLAND 7-15-18,5-2,5	
41	581A1561	1	OVAL PLUG 50X30	
42	58171901	2	CABLE GLAND 15,5-24-32-2	
43	561A1432F	1	PLATE	



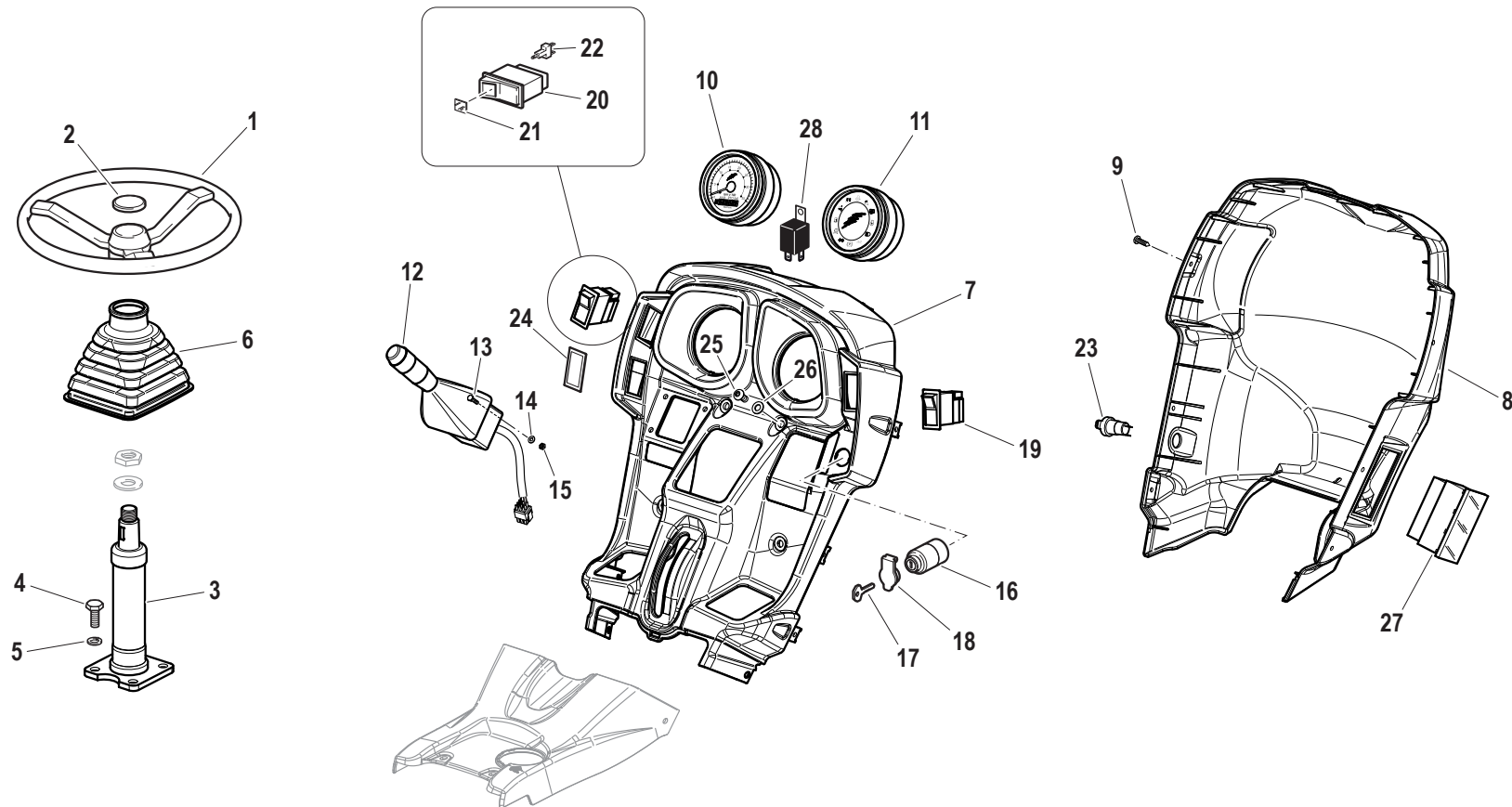
Pos.	Code	Q.ty	Description	Notes
1	580A1539	1	ENGINE START-STOP CONTR. PLATE	
2	580A1540	1	TRACTOR SPEED PLATE	
3	58077047	1	DECAL	
4	58074841	1	DECAL	
5	58072575	1	PLATE	
6	58072510	1	INSTRUCTION PLATE	
7	58072520	1	INSTRUCTION PLATE	
8	58077051	1	PLATE	
9	580A1571	1	LIFT TAP PLATE	
10	58173775	1	PLATE	
11	580A1016	1	DECAL	
12	580A1037	1	PLATE	
13	580A1038	1	PLATE	
14	580A1039	1	FAN WARNING PLATE	
15	580A1023	1	PLATE	
16	580A1606	1	DECAL	
17	580A1607	1	DECAL	
18	580A1609	4	DECAL	



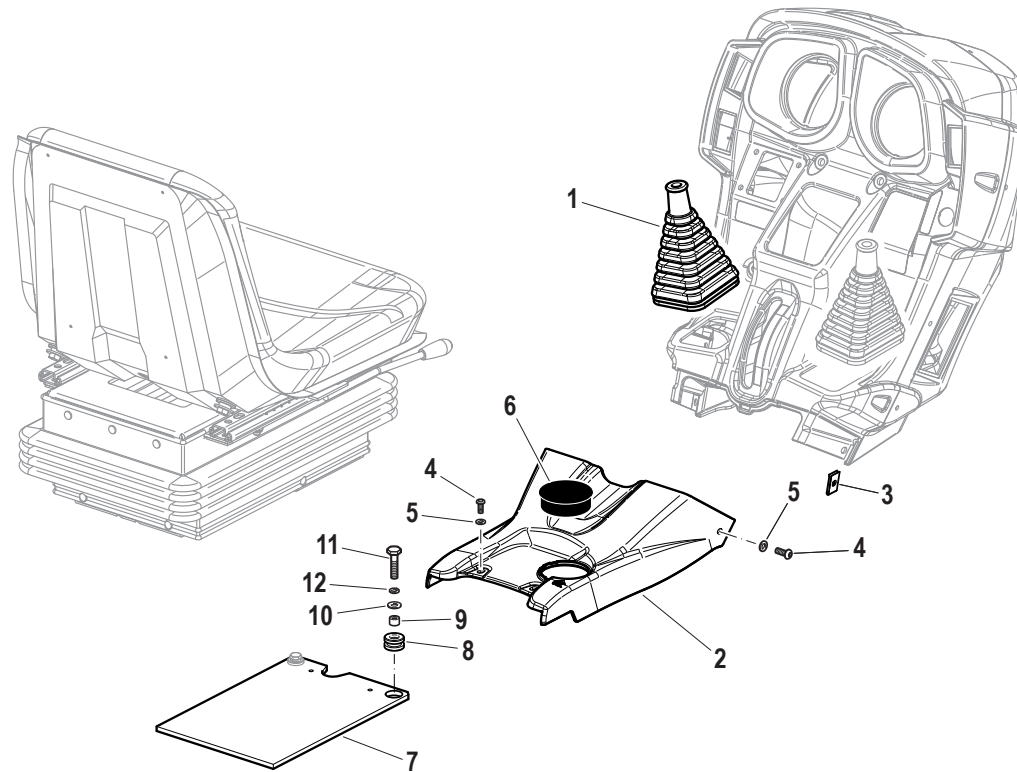
Pos.	Code	Q.ty	Description	Notes
1	580A1681	1	ROLL-BAR HOMOLOGATION PLATE	
2	580A1159	1	DECAL	
3	580A1491	1	DECAL	
4	580A1492	1	DECAL	
5	580A1493	2	DECAL	
6	580A1490	2	DECAL	
7	580A1507	1	DECAL	
8	580A1508	1	DECAL	
9	580A1503	2	DECAL	
10	580A1121	1	DECAL	
11	580A1584	1	DECAL	
12	580A1585	1	DECAL	
13	580A1538	1	GENERIC DANGER PLATE	
14	580A1579	1	DECAL	
15	580A1578	1	DECAL	
16	580A1605	1	DECAL	
17	580A0438	1	DECAL	
18	58179013	2	DECAL	
19	580A1608	2	DECAL	



Pos.	Code	Q.ty	Description	Notes
1	580A1681	1	ROLL-BAR HOMOLOGATION PLATE	
2	580A1159	1	DECAL	
3	580A1491	1	DECAL	
4	580A1492	1	DECAL	
5	580A1494	2	DECAL	
6	580A1490	2	DECAL	
7	580A1507	1	DECAL	
8	580A1508	1	DECAL	
9	580A1503	2	DECAL	
10	580A1121	1	DECAL	
11	580A1584	1	DECAL	
12	580A1585	1	DECAL	
13	580A1538	1	GENERIC DANGER PLATE	
14	580A1579	1	DECAL	
15	580A1578	1	DECAL	
16	580A1605	1	DECAL	
17	580A0438	1	DECAL	
18	58179013	2	DECAL	
19	580A1608	2	DECAL	

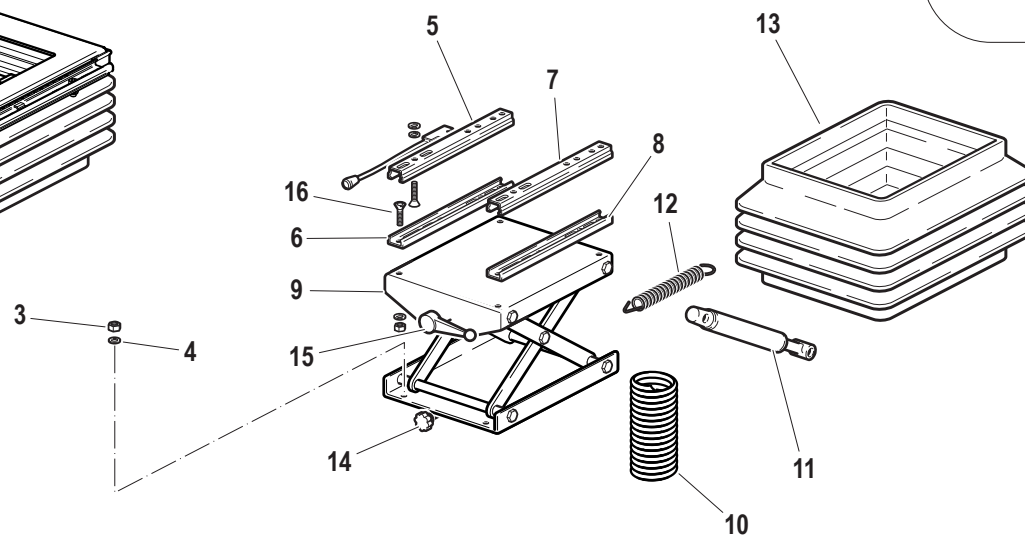
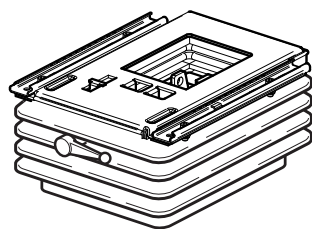
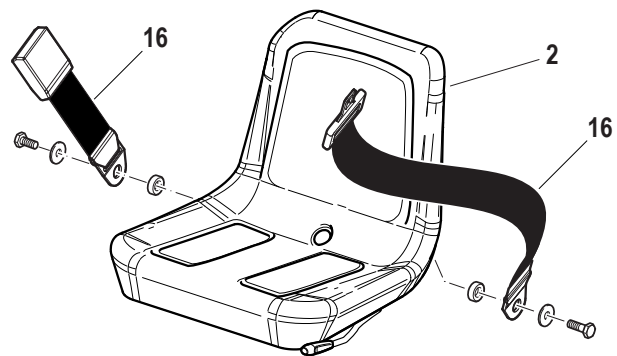


Pos.	Code	Q.ty	Description	Notes
1	F0865040000	1	STEERING WHEEL	
2	F0865040020	1	PLUG	
3	581A1300	1	STEERING SMALL COLUMN	
4	31112219	4	SCREW TE M10X25 UNI 5739	
5	F0843755000	4	WASHER 10	
6	552A1367	1	STEERING WHEEL BELLOWS	
7	552A1057	1	DASHBOARD FRONT PANEL	
8	552A1058	1	DASHBOARD REAR PANEL	
9	31510096	8	RIBBED SCREW 4,2X16	
10	581A1076	1	DIGITAL TRACTOR METER	
11	581A1077	1	DIGITAL INSTRUMENT PANEL	
12	30000648	1	STEERING COLUMN SWITCH UNIT	
13	31111084	4	SCREW TE M4X16 UNI 5739 8G	
14	F0843526000	4	WASHER 4,3x12/1,5	
15	31211040	4	NUT M4	
16	30000643	1	START-UP CHANGE-OVER SWITCH	
17	30000276	1	KEY	
18	F0825400060	1	COVER	
19	F0825115010	1	PUSH-BUTTON	
20	30000385	1	SWITCH	
21	30000386	1	HEADLIGHT SMALL GLASS	
22	30000387	1	LAMP	
23	F0825403050	1	SOCKET	
24	58172043	1	FRONT GRILLE	
25	F0862479020	4	SCREW M8X16 7380	
26	31411084	4	WASHER 8,4x17	
27	58170453	1	FUSE BOX	
28	F0825139000	1	FLASHER	

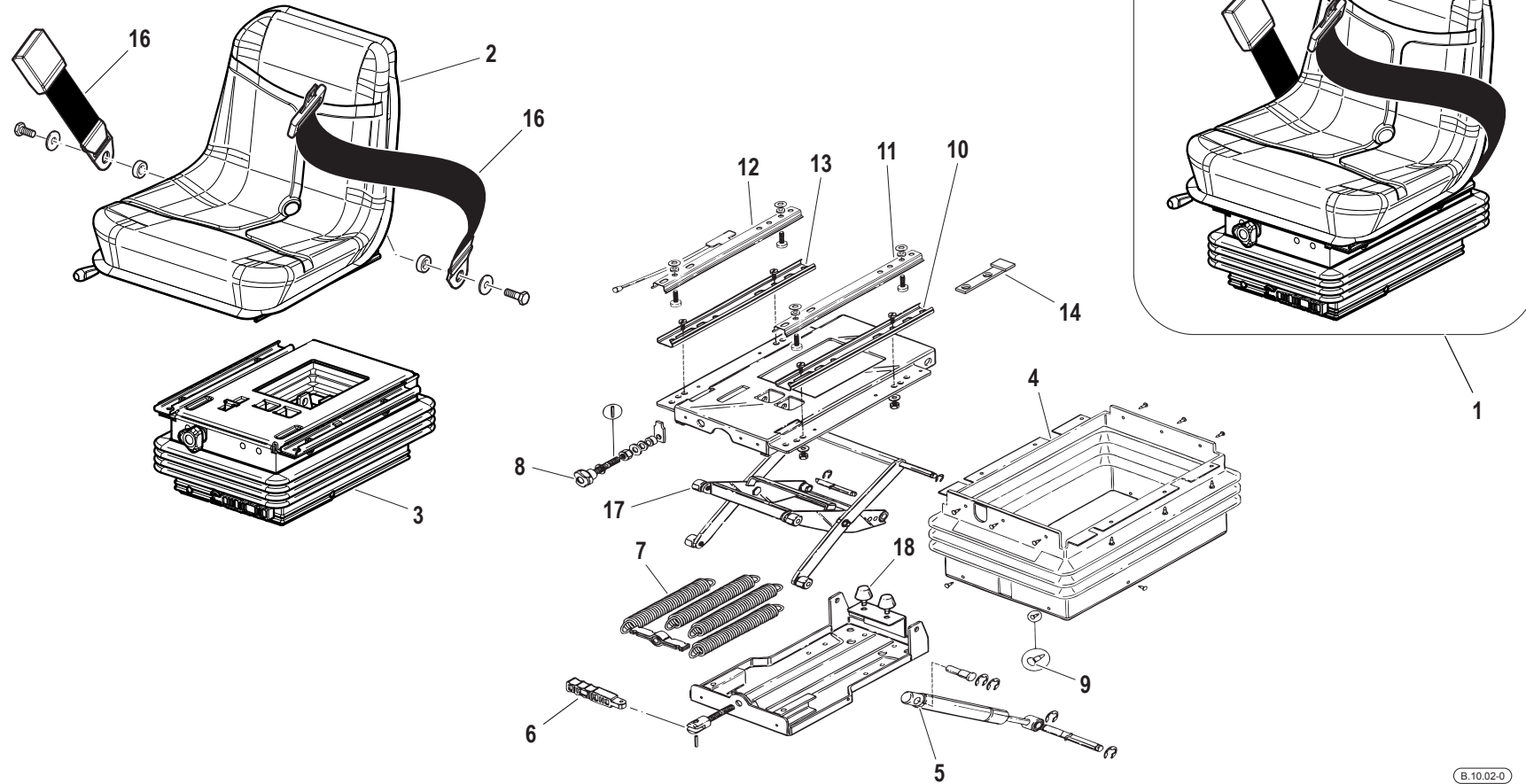


Pos.	Code	Q.ty	Description	Notes
1	551A1246	2	GEAR LEVERS BELLOW	
2	552A1059	1	GEAR LEVERS COVER	
3	58177425	2	SPRING	
4	F0862479034	4	SCREW M6X12 7380	
5	31411064	4	WASHER 6,4x12,5	
6	581A1302	1	PLUG D.57,2 DP-2.25	
7	561A1387	1	SEAT SUPPORT PLATE	
8	55175174	2	BLOCK	
9	56171996	2	SPACER	
10	31411090	2	WASHER 9x24	
11	F0862694000	4	SCREW M8X170 UNI 5737	
12	F0843643060	4	WASHER 8	

SEAT (SEAT)

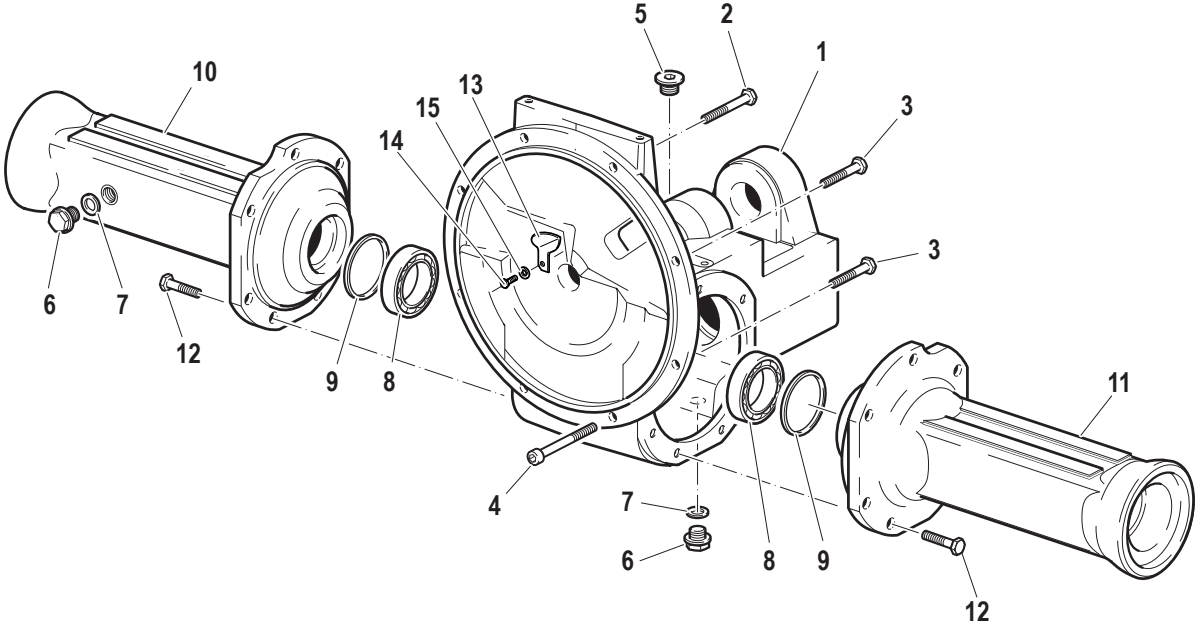


Pos.	Code	Q.ty	Description	Notes
1	58177728	1	SEAT	
2	59900171	1	SEAT CAVITY	
3	F0814569000	1	NUT M8 UNI 5589 CL:8	
4	31411084	1	WASHER 8,4x17	
5	59900172	1	GUIDE	
6	59900173	1	GUIDE	
7	59900174	1	GUIDE	
8	59900175	1	GUIDE	
9	59900163	1	SPRING	
10	59900168	1	SPRING	
11	59900169	1	SHOCKS ABSORBER	
12	59900167	1	SPRING	
13	59900170	1	BELLOWS	
14	59900166	1	HAND WHEEL	
15	59900165	1	LEVER	
16	59901266	4	SAFETY BELT	



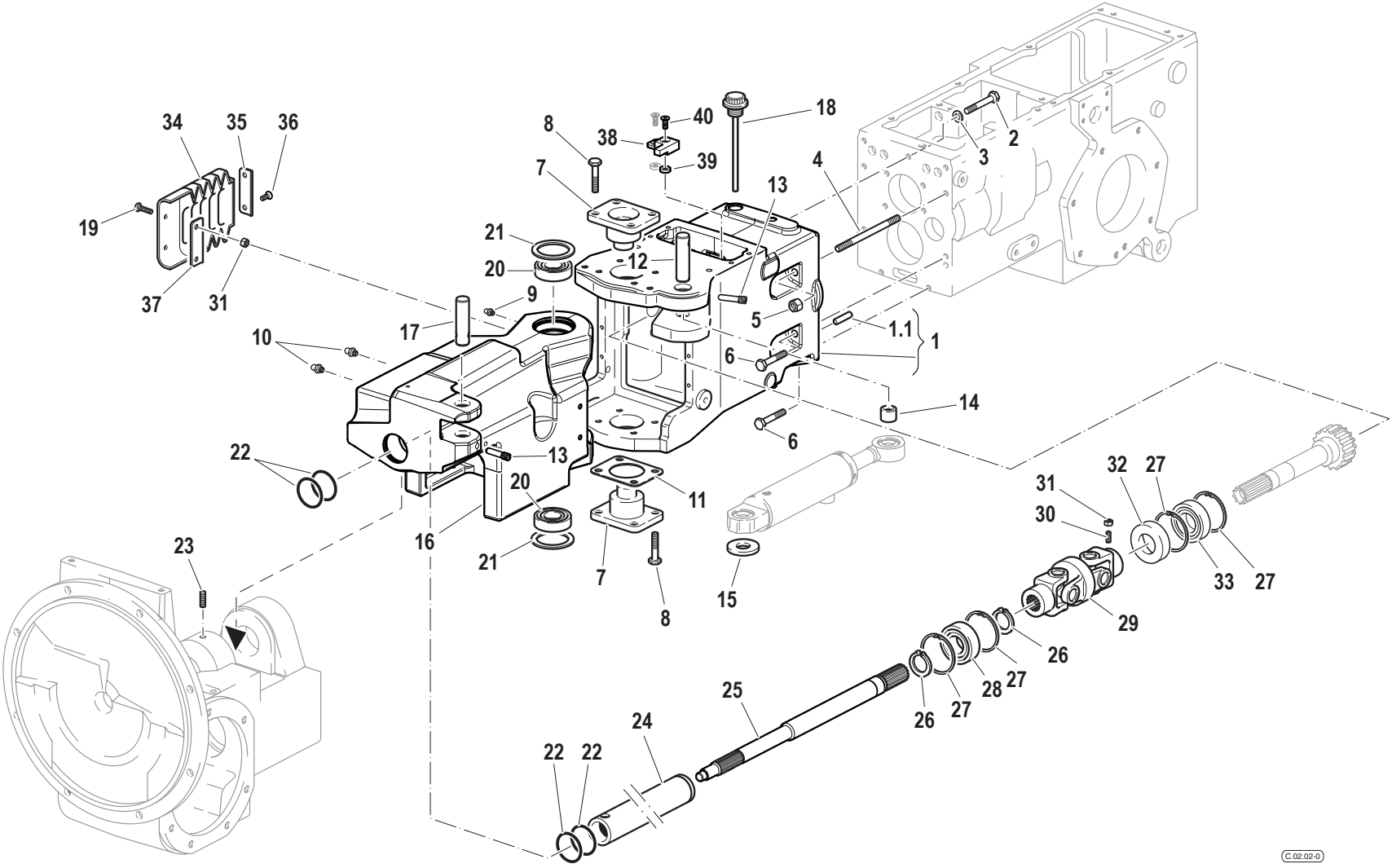
Pos.	Code	Q.ty	Description	Notes
1	581A1548	1	SEAT	
2	59901058	1	SEAT	
3	59901049	1	SUSPENSION	
4	59900159	1	BELLOWS	
5	59900156	1	SHOCKS ABSORBER	
6	59900155	1	LEVER	
7	59900154	4	SPRING	
8	59900153	1	KNOB	
9	59900158	18	SCREW	
10	59900157	1	LOWER GUIDE	
11	59900160	1	GUIDE	
12	59900161	1	GUIDE	
13	59900152	1	LOWER GUIDE	
14	59071241	1	STOP PLATE	
15	59901099	1	BRACKET	
16	58192377	1	SAFETY BELT	
17	59901100	1	BUSHING	
18	59901101	2	STOP BUFFER	

FRONT AXLE



Pos.	Code	Q.ty	Description	Notes
1	51172967	1	FRONT AXLE HOUSING	
2	31112214	2	SCREW TE M10X45 UNI 5739	
3	31112211	4	SCREW TE M10X30 UNI 5739	
4	31152100	2	SCREW TCEI M10X40 UNI 5931 8G	
5	58071790	1	PLUG	
6	56370081	2	PLUG	
7	F0844273090	2	GASKET 22X28X1,5 CU 99,5	
8	F0812895000	2	BEARING 32008 (40X68X19)	
9	56371582	1	RING	
9	56371583	1	RING	
9	56371584	1	RING	
9	56371585	1	RING	
9	56371586	1	RING	
10	512A1053	1	LEFT FRO.BRID.BOX	
11	512A1054	1	FRONT BRIDGE BOX K30-K40-AR-	
12	31112264	14	SCREW TE M12X35 UNI 5739	
13	56179398	1	COVER	
14	31111090	1	SCREW TE M5X10 UNI 5739 8G	
15	F0843570000	1	WASHER 6	

INTERMEDIATE SECTION



Pos.	Code	Q.ty	Description	Notes
1	59279546	1	SCAT.FRIZIONE 30-40 AR COMPL.	
1.1	56370228	2	CYLINDRICAL PLUG	
2	F0863359000	1	SCREW M10X40 UNI 5737	
3	F0843755000	1	WASHER 10	
4	F0838470000	4	STUD BOLT	
5	F0814647000	4	NUT M10	
6	31112211	2	SCREW TE M10X30 UNI 5739	
7	523A0166	2	JOINT PIN	
8	F0863267050	8	SCREW M10x25	
9	30000007	2	LUBRICATOR	
10	F0826056000	2	LUBRICATOR M10 UNI 7663A	
11	52172158	1	SHIM	
11	52172159	1	SHIM	
11	52172160	1	SHIM	
11	52172161	1	SHIM	
11	52172162	1	SHIM	
12	563A1275	1	PERNO INC.CIL.STERZO K30-K40AR	
13	56370178	2	SCREW	
14	56170226	1	SPACER	
15	56173884	2	SPACER	
16	511A1301	1	CENT.LEFT FRONT BOX 35-45CV-AR	
17	56379584	1	HINGE PIN	
18	58071805	1	PLUG	
19	31112093	4	SCREW TE M6X20 UNI 5739 8G	
20	F0812747000	2	BEARING 32006X (30x55x17)	
21	58170077	2	GASKET	
22	38104412	4	O-RING 3175 (44,12X2,62)	
23	58170013	1	SCREW	
24	56471645	1	PIN	
25	524A0942	1	FRONT CLUTCH SHAFT	
26	35121025	2	SEEGER RING E 25 DIN 471	
27	35111052	2	SEEGER RING I 52 DIN 472	
28	37112249	1	BEARING	
29	58170803	1	CARDAN JOINT	

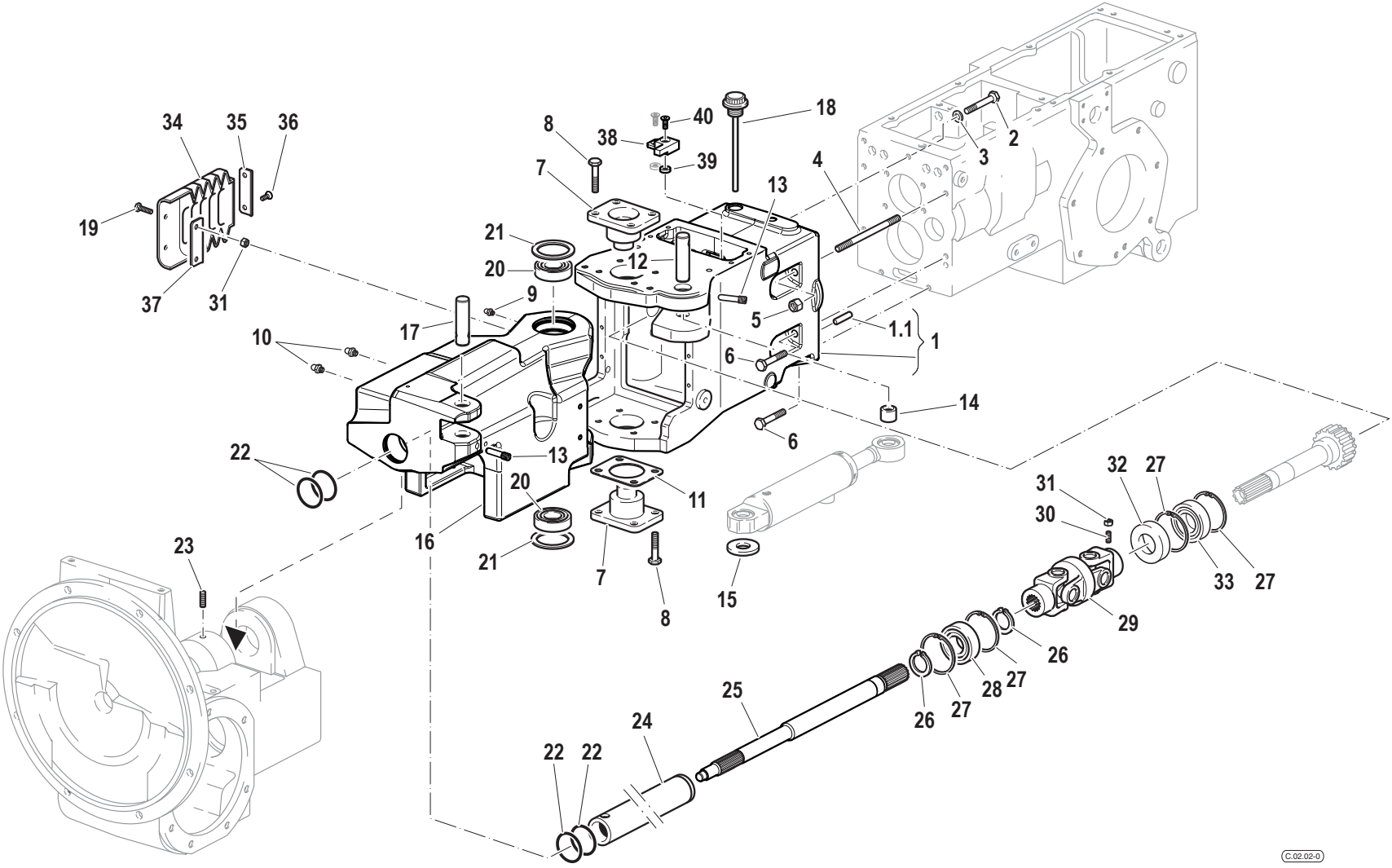
SERIAL

INTERMEDIATE SECTION

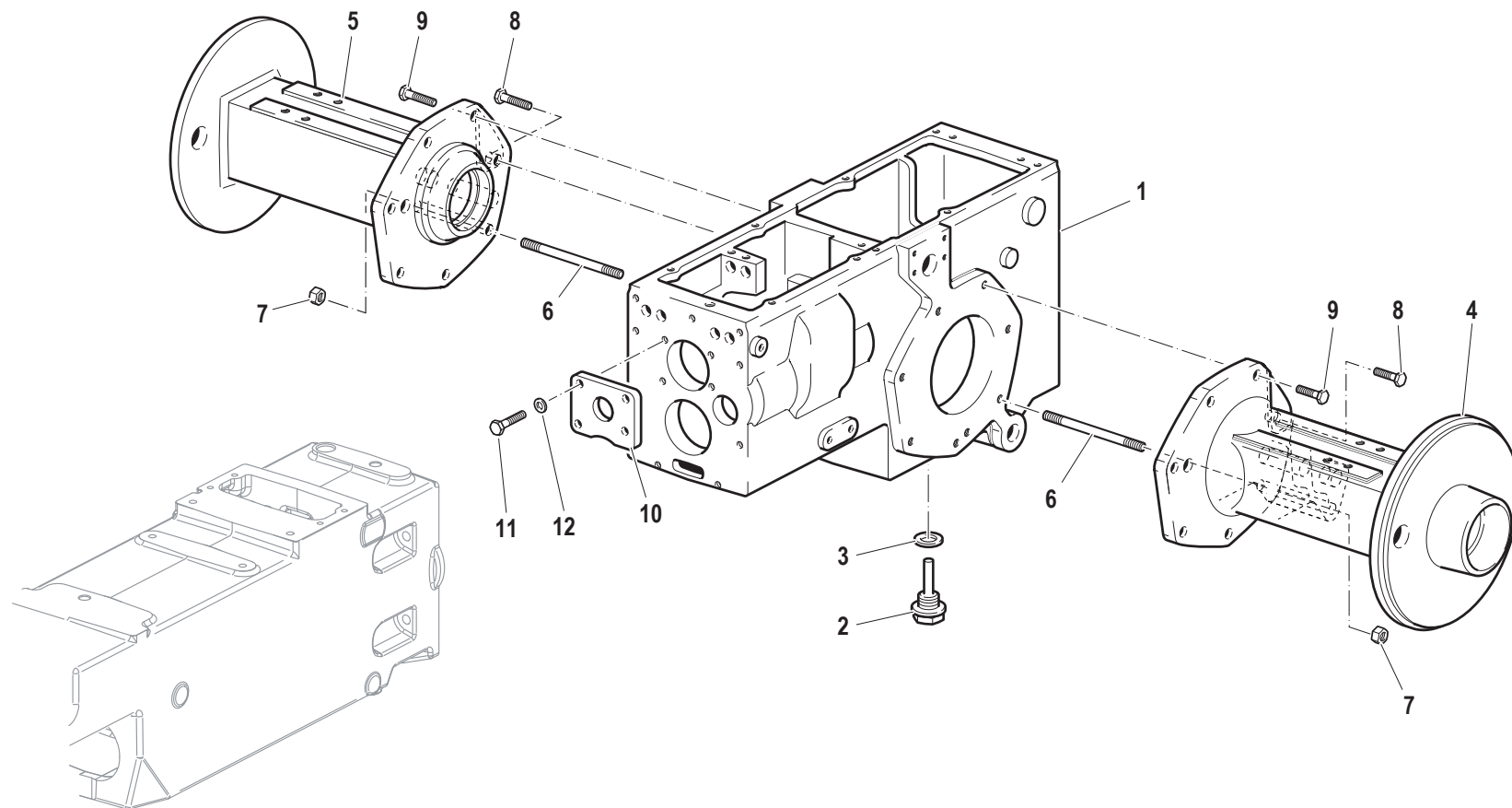
CODE REV

C.02.02_0_78710

INTERMEDIATE SECTION

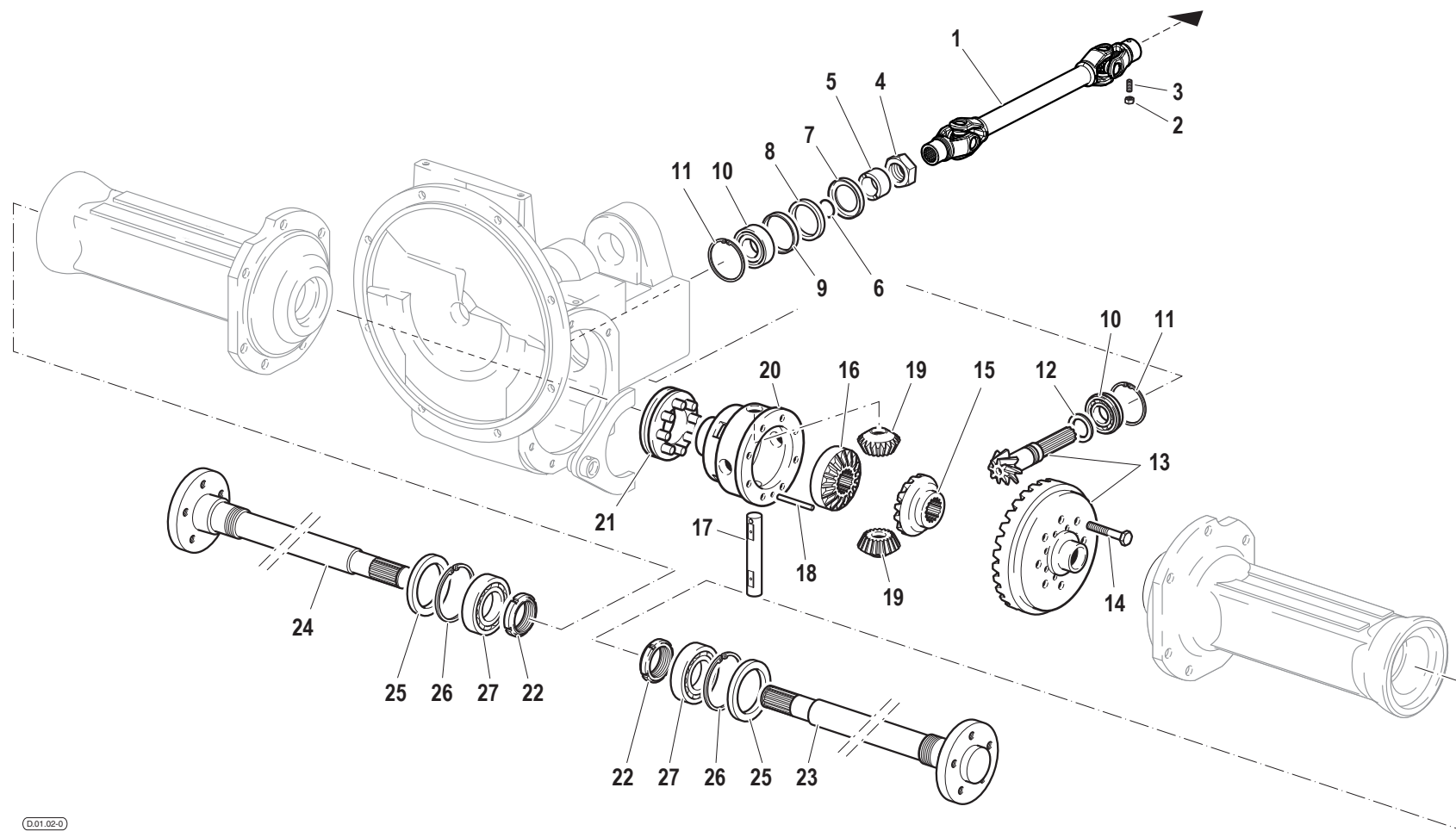


Pos.	Code	Q.ty	Description	Notes
30	F0862593050	1	SCREW M8X20 UNI 5927	
31	31211080	5	NUT M8	
32	F0802100050	1	SEAL 25x52/7	
33	37111255	1	BEARING	
34	55172608	2	BELLOWS	
35	56173447	2	FIXING BRACKET	
36	31132562	4	SCREW TSVEI M6X16 UNI 5933	
37	56172163	2	FIXING BRACKET	
38	561A1222	1	REVERSE BLOCKING PLATE	
39	561A1415	2	SPACER D.14x7/4	
40	31132562	2	SCREW TSVEI M6X16 UNI 5933	



Pos.	Code	Q.ty	Description	Notes
1	511A1034	1	GEAR BOX	
2	58170021	1	PLUG	
3	F0844273090	1	GASKET 22X28X1,5 CU 99,5	
4	51174104	1	REAR AXLE HOUSING	
5	51173547	1	REAR AXLE HOUSING	
6	F0838660000	2	STUD BOLT M12X105 UNI 5911-66	
7	F0814695000	2	NUT M12	
8	31112272	2	SCREW TE M12X30 UNI 5739	
9	31112264	10	SCREW TE M12X35 UNI 5739	
10	56172685	1	FRONT COVER	
11	31112219	4	SCREW TE M10X25 UNI 5739	
12	F0843755000	4	WASHER 10	

FRONT TRANSMISSION



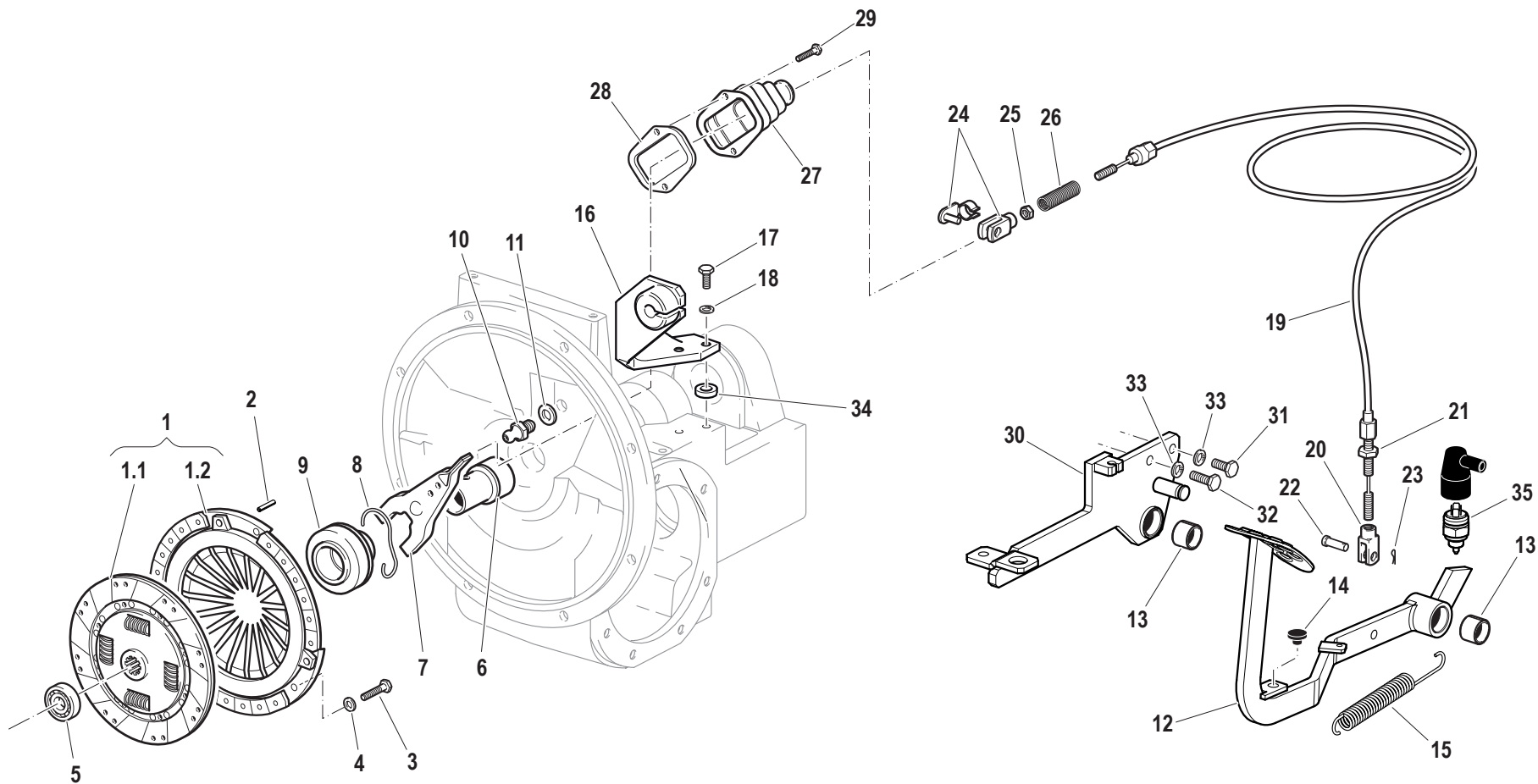
Pos.	Code	Q.ty	Description	Notes
1	581A0941	1	CONSTANT VEL. JOINT	
2	31211080	1	NUT M8	
3	F0862657000	1	GRAIN	
4	56371666	1	RING NUT	
5	56471665	1	SPACER	
6	38112670	1	O-RING	
7	56171671	1	PROTECTIVE RING D=62	
8	F0802190010	1	SEAL 42x62/7	
9	56171672	1	SPACER	
10	37221300	2	CYL. ROLLER BEARING	
11	35111063	2	SEEGER RING I 62 UNI 7438	
12	56371667	1	SHIM	
12	56371668	1	SHIM	
12	56371669	1	SHIM	
12	56371670	1	SHIM	
13	592A0918	1	BEVEL GEAR	
14	F0863267050	8	SCREW M10x25	
15	52471513	1	CROWN WHEEL	
16	52471516	1	CROWN WHEEL	
17	56471508	1	PIN	
18	56371994	1	PIN	
19	52471509	2	PLANETARY GEAR	
20	51374866	1	HOUSING	
21	59071518	1	SLEEVE	
22	F0821057000	2	SELFLOCK.RING NUT M40x1,5/D=5	
23	52477270	1	AXLE SHAFT	
24	52477271	1	AXLE SHAFT	
25	F0802239052	2	SEAL 50X80X8	
26	35111080	2	SEEGER RING I 80 DIN 472	
27	37111404	2	BEARING	

SERIAL

FRONT TRANSMISSION

CODE REV

D.01.02_0_78251



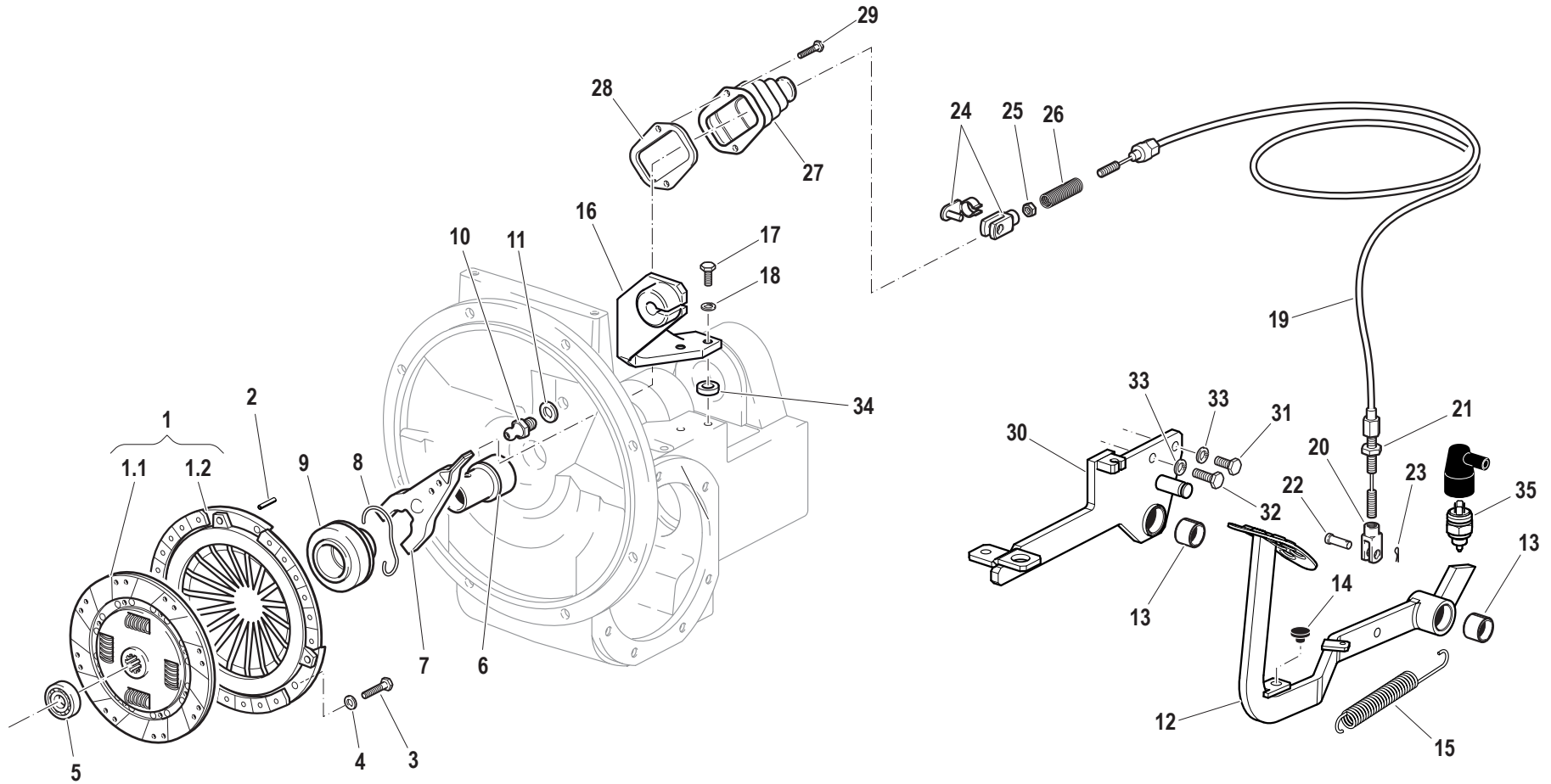
Pos.	Code	Q.ty	Description	Notes
1	581A1061	1	CLUTCH D.210	
1.1	59901469	1	CLUTCH DISC	
1.2	59901468	1	CLUTCH PRESSURE PLATE	
2	34211060	3	ROLL PIN	
3	31112147	6	SCREW TE M8X18 UNI 5739 8G	
4	F0843643060	6	WASHER 8	
5	F0812523050	1	BEARING 6201-2RS	
6	56172643	1	SLEEVE	
7	58072688	1	FORK	
8	F0819134050	1	RETAINING SPRING	
9	F0819134030	1	SLEEVE	
10	F0819134040	1	PIN	
11	F0843755000	1	WASHER 10	
12	590A1400	1	CLUTCH PEDAL	
13	58171596	2	BUSHING	
14	F0822537050	1	BUFFER	
15	580A0360	1	RESTORING SPRING	
16	59079661	1	FIXING BRACKET	
17	31112151	2	SCREW TE M8X25 UNI 5739 8G	
18	F0843643060	2	WASHER 8	
19	581A1472	1	CABLE	
20	50974039	1	FORK	
21	31231090	1	NUT M10	
22	56476188	1	HINGE PIN	
23	34110021	1	SPLIT PIN	
24	F0860058000	1	COMPLETE FORK	
25	31231080	1	NUT M8	
26	F0831193010	1	SPRING DM.15X70	
27	55174021	1	BOOT	
28	56074020	1	CLAMPING PLATE	
29	31112090	2	SCREW TE M6X16 UNI 5739 8G	
30	590A1270	1	BRAKE/CLUTCH PEDAL LH SUPPORT	
31	31112229	1	SCREW M10x22 UNI 5739	
32	31112212	1	SCREW TE M10X35 UNI 5739	

SERIAL

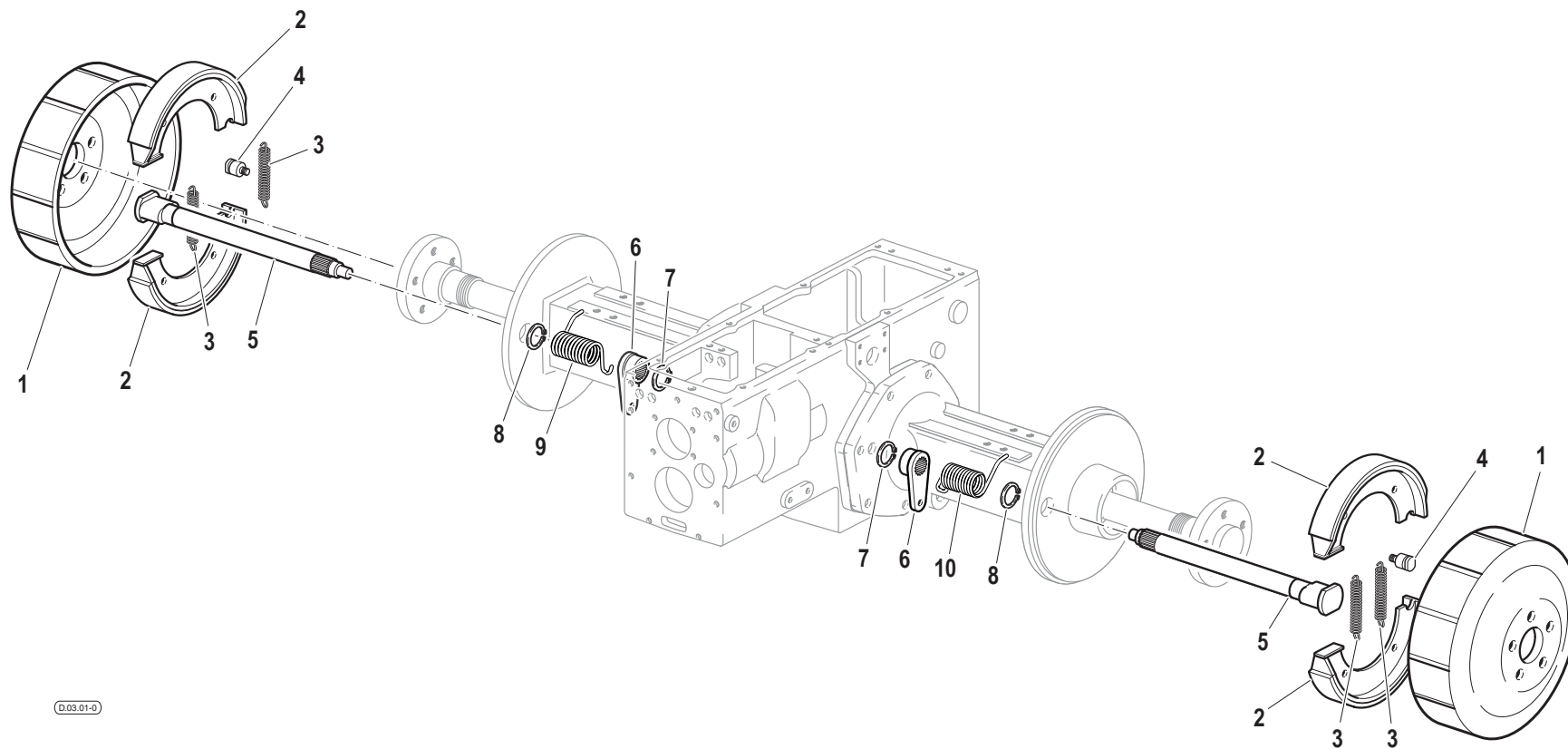
CLUTCH

CODE REV

D.02.02_0_78843

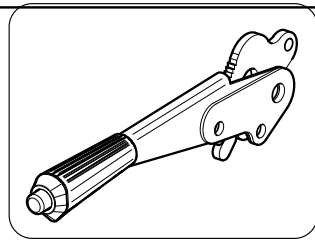


Pos.	Code	Q.ty	Description	Notes
33	F0843755000	2	WASHER 10	
34	F0843696000	2	WASHER D.24x8/6	
35	30000638	1	SWITCH	

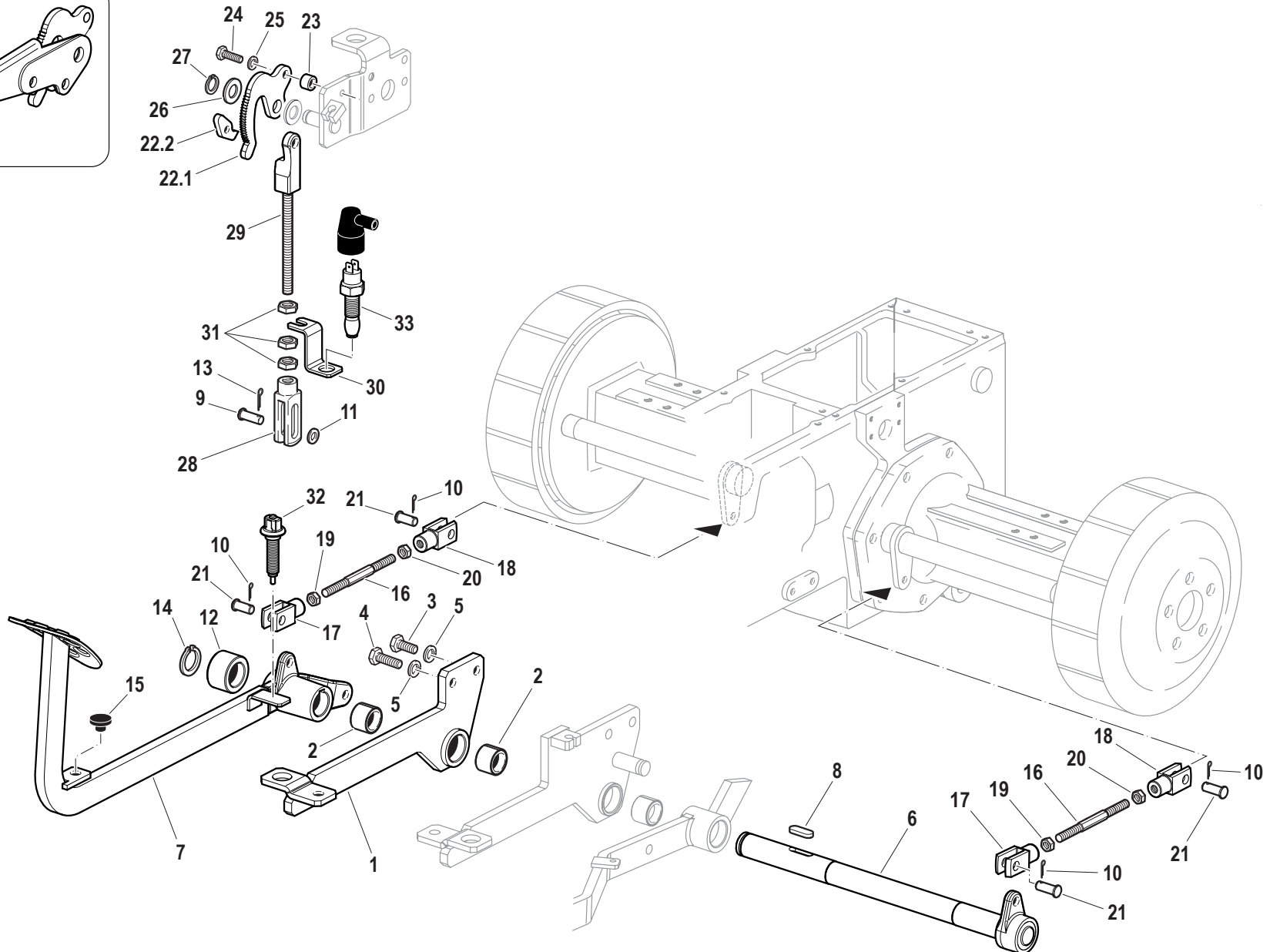


D.03.01-0

Pos.	Code	Q.ty	Description	Notes
1	51172716	2	BRAKE DRUM	
2	58172717	4	BRAKE BLOCK	
3	58172718	4	SPRING	
4	56172719	2	PIN	
5	56572720	2	SHAFT	
6	523A1274	2	BRAKE BLOCK OPENING LEVER	
7	F0801190000	2	SEEGER RING E 26 UNI 7435	
8	35121028	2	SEEGER RING E 28 DIN 471	
9	580A1596	1	BRAKE PEDAL RH SPRING	
10	580A1597	1	BRAKE PEDAL LH SPRING	



22



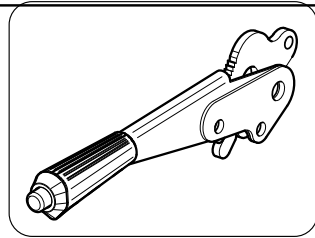
Pos.	Code	Q.ty	Description	Notes
1	590A1271	1	BRAKE/CLUTCH PEDAL RH SUPPORT	
2	58171596	2	BUSHING	
3	31112229	1	SCREW M10x22 UNI 5739	
4	31112212	1	SCREW TE M10X35 UNI 5739	
5	F0843755000	2	WASHER 10	
6	590A1460	1	BRAKE/CLUTCH PED. COMPL. SHAFT	
7	590A1390	1	PEDALE FRENO K30-K40-AR-	
8	F0806533000	1	KEY 8X7X30 UNI 6604/A	
9	56470365	1	PIN	
10	34110021	4	SPLIT PIN	
11	31411105	1	WASHER 10,5x21	
12	56175883	1	SPACER	
13	F0810510000	1	SPLIT PIN A2,0X20 UNI 1336	
14	35131026	1	SEEGER RING E 25X2 UNI 7436	
15	F0822537050	1	BUFFER	
16	563A1521	2	BRAKE ROD	
17	F0860090010	2	FORK	
18	F0860090110	2	FORK	
19	31231090	2	NUT M10	
20	F0814628050	2	NUT M10	
21	56476188	4	HINGE PIN	
22	58178960	1	HANDBRAKE LEVER	
22.1	58179860	1	TOOTHED SECTOR	
22.2	58179859	1	CLEVIS	
23	56171936	1	SPACER	
24	31112151	1	SCREW TE M8X25 UNI 5739 8G	
25	F0843643060	1	WASHER 8	
26	31411150	2	WASHER 15x28	
27	F0801095000	1	SEEGER RING E 14 7435	
28	50972173	1	FORK	
29	590A1525	1	TIR.FR.A MANO COMPL.35-45CV-AR	
30	560A1904Z	1	HAND BRAKE PLATE	
31	F0814627000	3	NUT M10	
32	F0825488000	1	SWITCH	

SERIAL

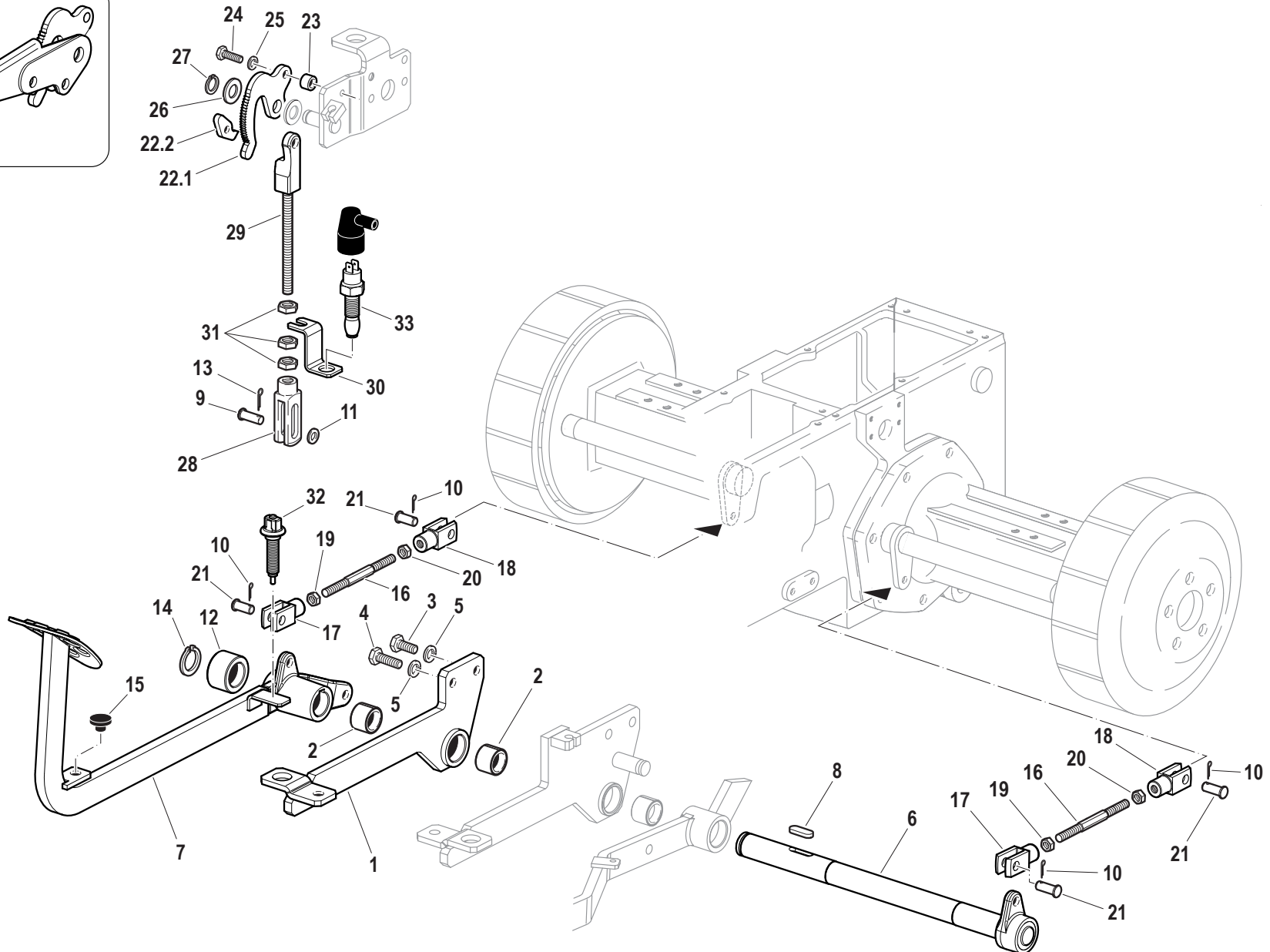
BRAKES CONTROL UNITS

CODE REV

D.04.02_0_78917

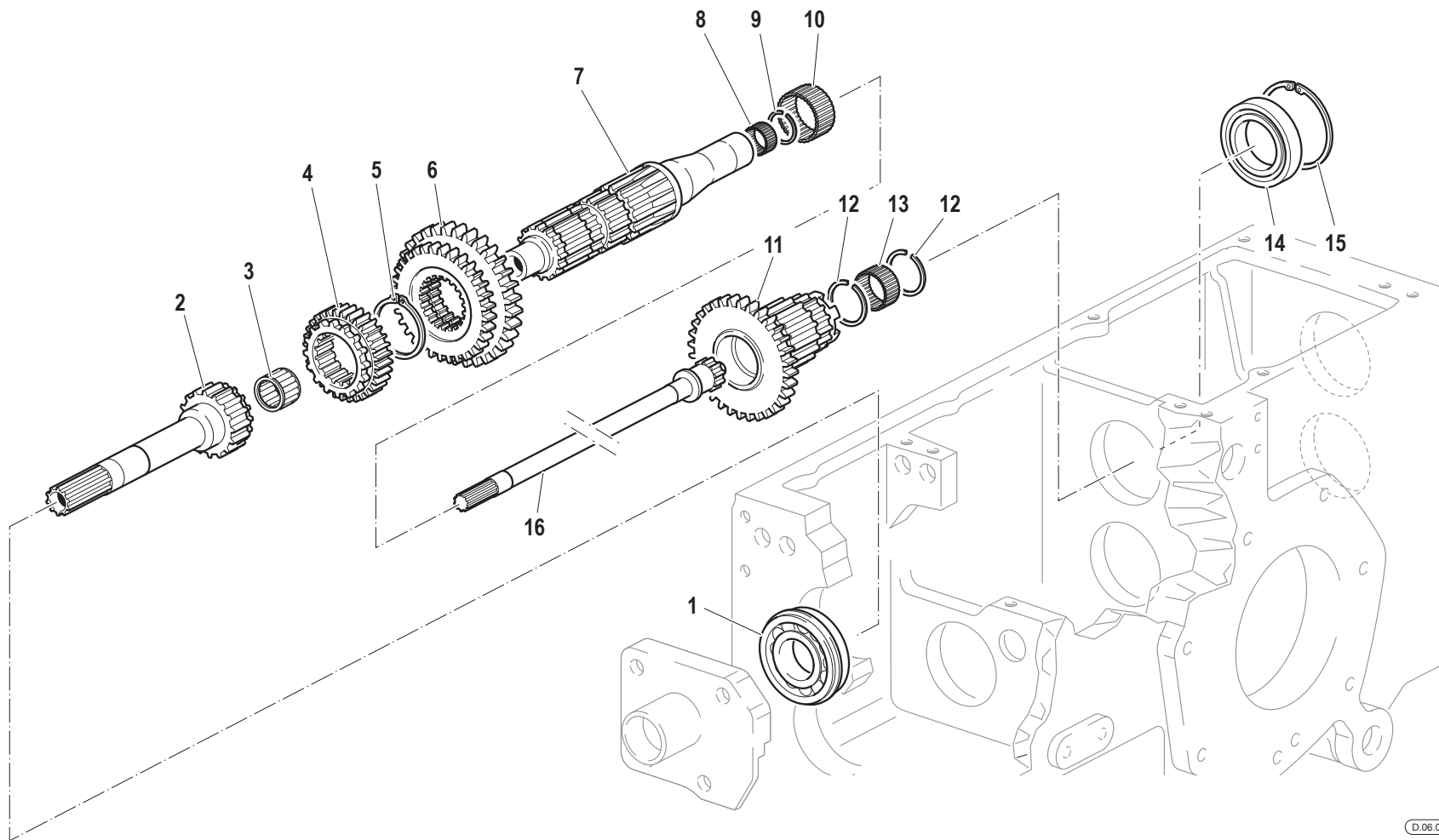


22



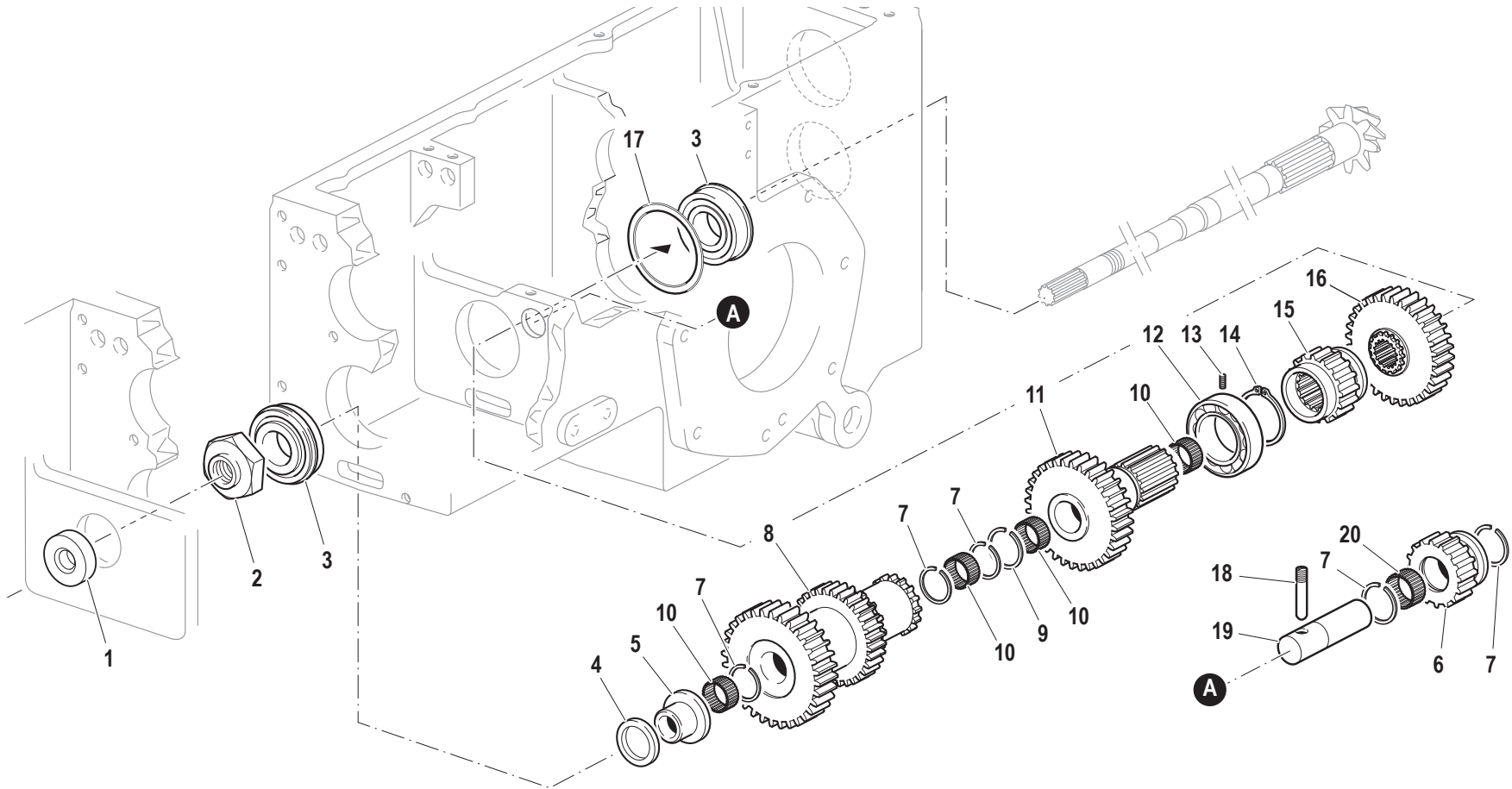
Pos.	Code	Q.ty	Description	Notes
33	58173230	1	PUSH-BUTTON	

MAIN SHAFT AND CORRESPONDING GEARS



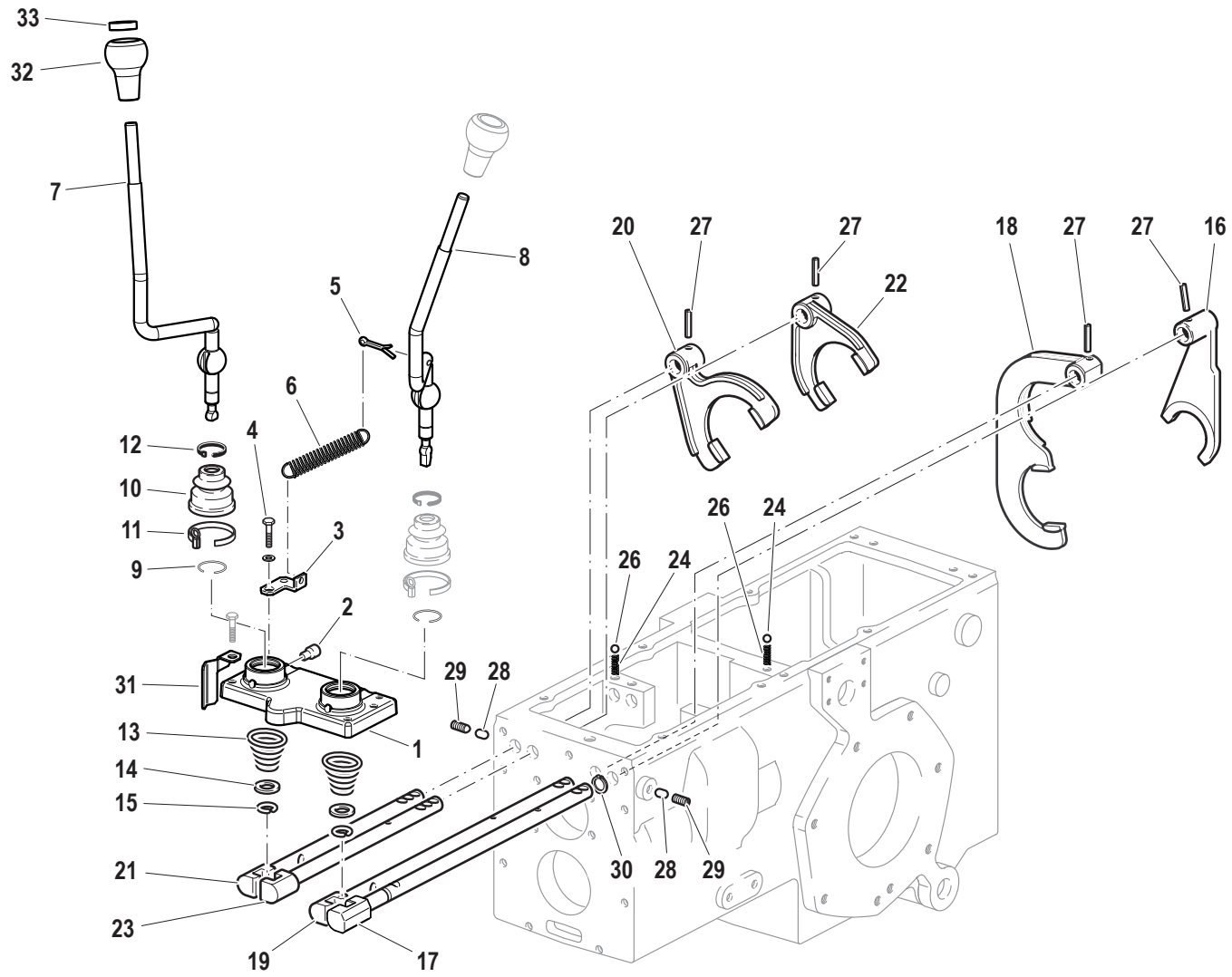
Pos.	Code	Q.ty	Description	Notes
1	F0812849100	1	BEARING 6207-NR	
2	592A0945	1	TRANSMISSION SHAFT	
3	F0812689000	2	ROLLER CAGE K 25X30/20 H	
4	52472646	1	SLIDING GEAR	
5	F0801331000	1	SEEGER RING E 45 UNI 7435	
6	524A0911	1	1-2 SPEED SLIDING GEAR	
7	52472654	1	OUTPUT SHAFT	
8	37320155	1	ROLLER CAGE 16X20/13	
9	F0801151000	1	SAFETY RING	
10	F0812871030	1	ROLLER CAGE K 37X42/17	
11	52477748	1	GEAR	
12	F0801248000	3	SAFETY RING	
13	F0812733075	2	ROLLER CAGE K 28X33/17	
14	F0812933000	1	BEARING 6009	
15	F0801425000	1	SEEGER RING I 75 UNI 7437	
16	52472659	1	SHAFT	

TRANSMISSION SHAFT GEARS



Pos.	Code	Q.ty	Description	Notes
1	38212206	1	OIL SEAL AS 22x42x10	
2	563A0924	1	RING NUT	
3	F0812810100	2	BEARING	
4	56373440	1	ADJUSTING RING	
4	56371656	1	ADJUSTING RING	
4	56371657	1	ADJUSTING RING	
4	56371658	1	ADJUSTING RING	
4	56371659	1	ADJUSTING RING	
4	56371660	1	ADJUSTING RING	
5	564A0925	1	BUSHING	
6	52472852	1	INTERMEDIATE WHEEL	
7	F0801241005	5	SAFETY RING	
8	524A0912	1	1-2-3 SPEED DRIVE GEAR	
9	F0801248000	1	SAFETY RING	
10	F0812733075	1	ROLLER CAGE K 28X33/17	
11	52475450	1	GEAR	
12	50973529	1	ROLLER BEARING	
13	F0862037050	1	GRAIN	
14	F0801331100	1	RETAINING RING AV45 M1408	
15	52476787	1	SLIDING SLEEVE	
16	52472657	1	DRIVEN GEAR	
17	56371661	1	ADJUSTING RING	
17	56371662	1	ADJUSTING RING	
17	56371663	1	ADJUSTING RING	
17	56371664	1	ADJUSTING RING	
17	56373440	1	ADJUSTING RING	
18	56370178	1	SCREW	
19	56376791	1	GEAR PIN	
20	F0812686100	1	ROLLER CAGE K 25X30X24 H	

CHANGE GEAR CONTROLS



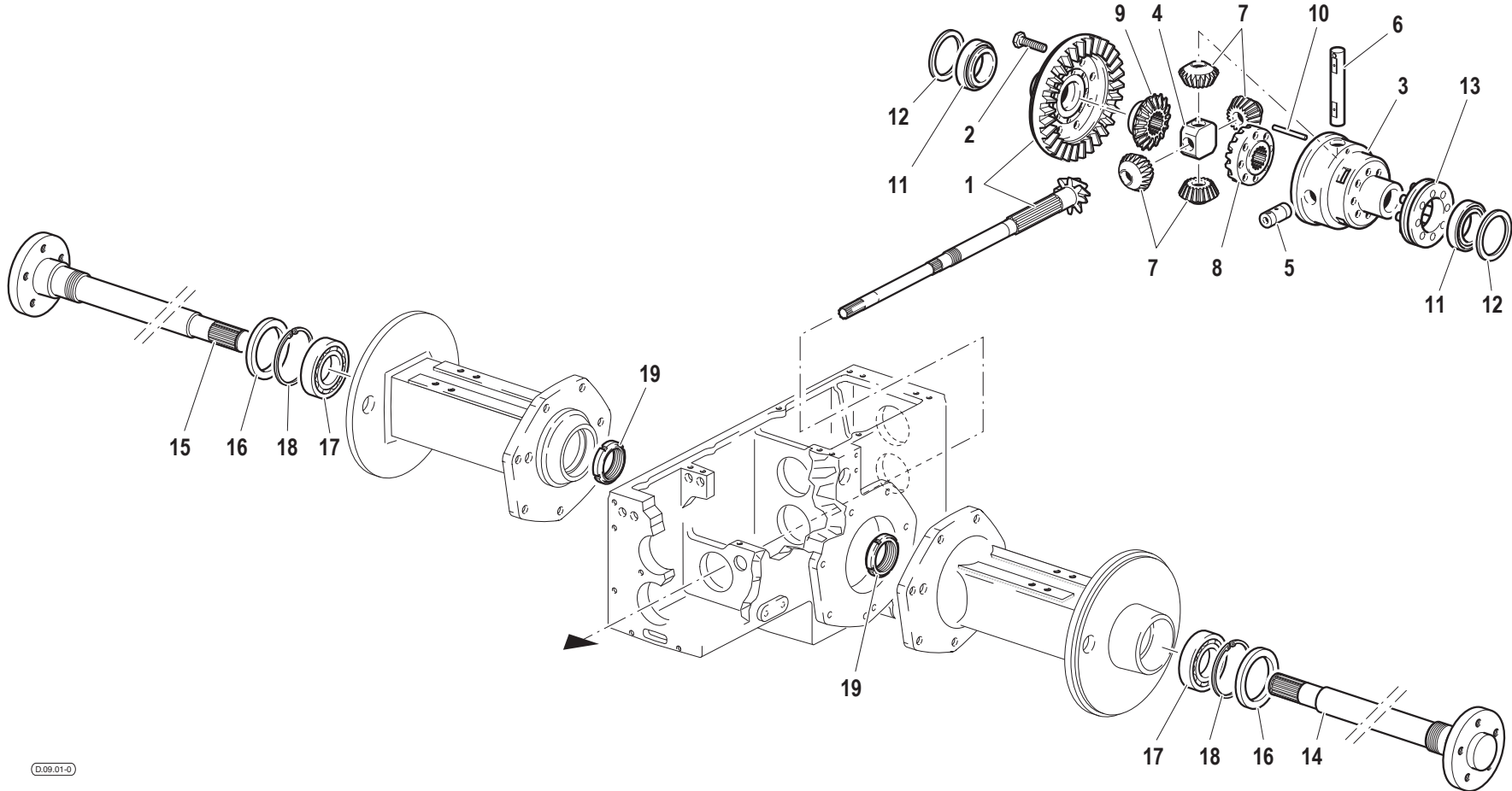
Pos.	Code	Q.ty	Description	Notes
1	51172684	1	COVER	
2	56370018	4	HINGE PIN	
3	56176795	1	BRACKET	
4	F0862694000	4	SCREW M8X170 UNI 5737	
5	34110031	1	SPLIT PIN	
6	F0831139000	1	SPRING	
7	590A1237	1	GEAR CONTROL LEVER	
8	590A1240	1	REVERSE/GEAR CONTROL LEVER	
9	58070169	2	LOCKRING	
10	551A1603	2	GEAR LEVERS CAP	
11	F0817500470	2	CLAMP	
12	F0817640003	2	CLAMP 4,8x180	
13	58070164	2	SPRING	
14	56370172	2	SPACER	
15	58070168	2	LOCKRING	
16	522A0634	1	FORK	
17	563A1014	1	PULL ROD	
18	51272730	1	GEAR FORK	
19	563A1013	1	PULL ROD	
20	51272728	1	SELECTOR FORK	
21	563A1011	1	PULL ROD	
22	51272729	1	SELECTOR FORK	
23	563A1012	1	PULL ROD	
24	58070741	4	SPRING	
25	F0843522010	6	WASHER 4	
26	F0847434000	4	BALL	
27	F0851180000	4	PIN 5X26 DIN 1481 CL:C72	
28	56571697	2	TOGGLE	
29	F0863183000	2	SCREW M10X16 UNI 5923	
30	35121014	1	SEEGER RING E 14 DIN 471	
31	561A1568	1	ACCELER. CABLE STOP BRACKET	
32	581A1577	2	KNOB	
33	561A1576	2	ALU KNOB COVER	

SERIAL

CHANGE GEAR CONTROLS

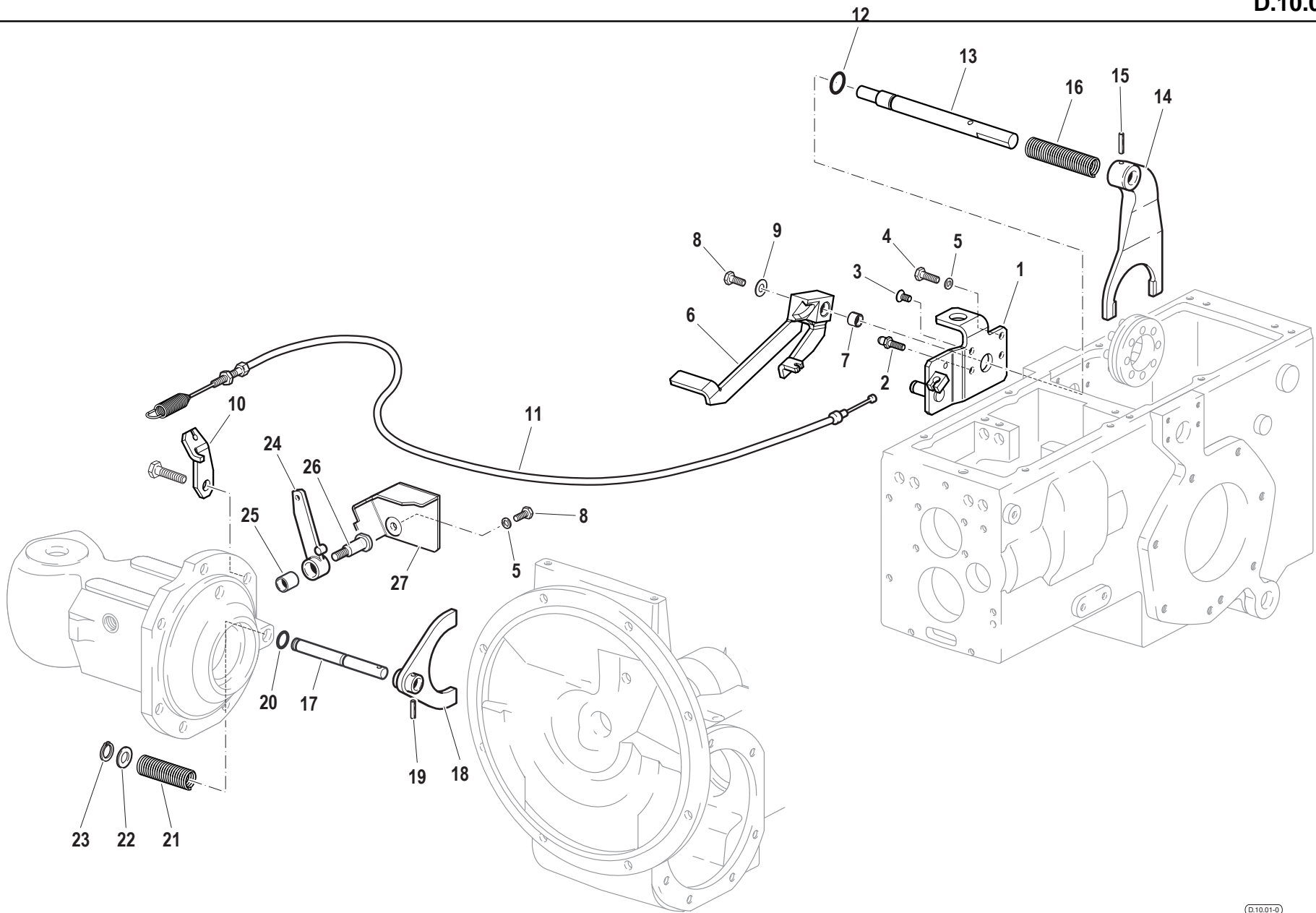
CODE REV

D.08.01_0_80274

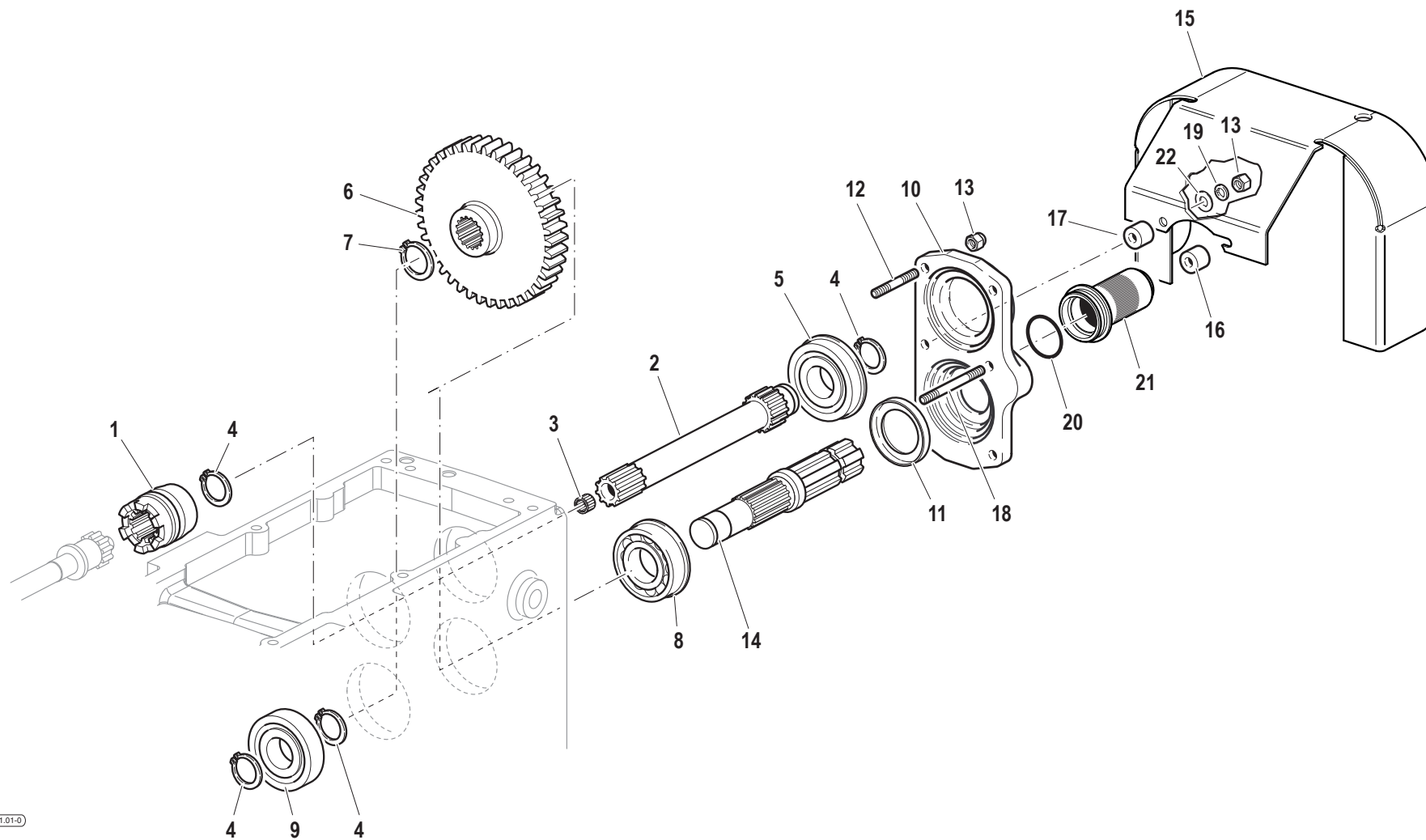


Pos.	Code	Q.ty	Description	Notes
1	592A0915	1	BEVEL GEAR	
2	F0863267050	8	SCREW M10x25	
3	51374867	1	HOUSING	
4	56572694	1	SMALL BLOCK	
5	56472695	2	PIN	
6	56471508	1	PIN	
7	52471509	4	PLANETARY GEAR	
8	52472700	1	CROWN WHEEL	
9	52472701	1	CROWN WHEEL	
10	56371994	3	PIN	
11	F0812895100	2	BEARING 32009X	
12	56372702	1	RING	
12	56372703	1	RING	
12	56372704	1	RING	
12	56372705	1	RING	
12	56372706	1	RING	
13	56472698	1	SLEEVE	
14	52472711	1	REAR AXLE SHAFT	
15	52472712	1	REAR AXLE SHAFT	
16	F0802239052	2	SEAL 50X80X8	
17	37111404	2	BEARING	
18	35111080	2	SEEGER RING I 80 DIN 472	
19	F0821057000	2	SELFLOCK.RING NUT M40x1,5/D=5	

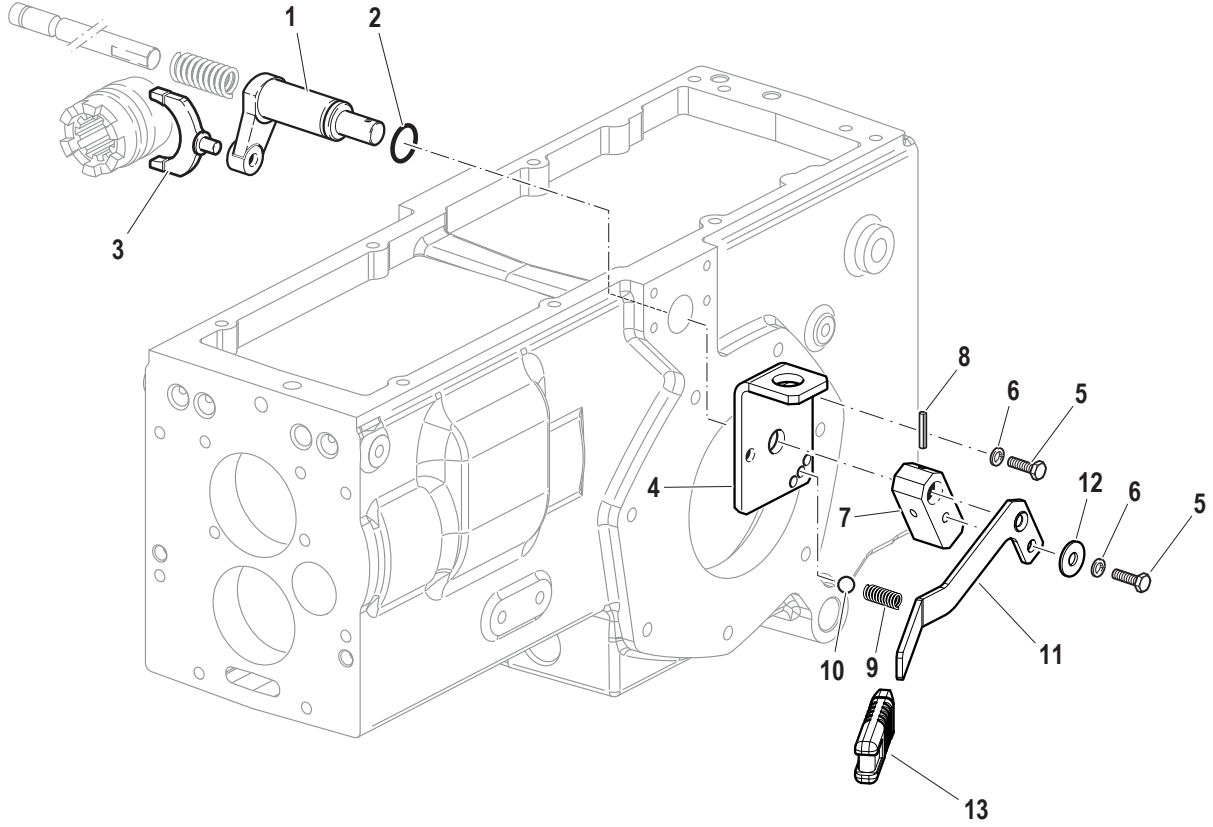
DIFFERENTIAL GEAR LOCK



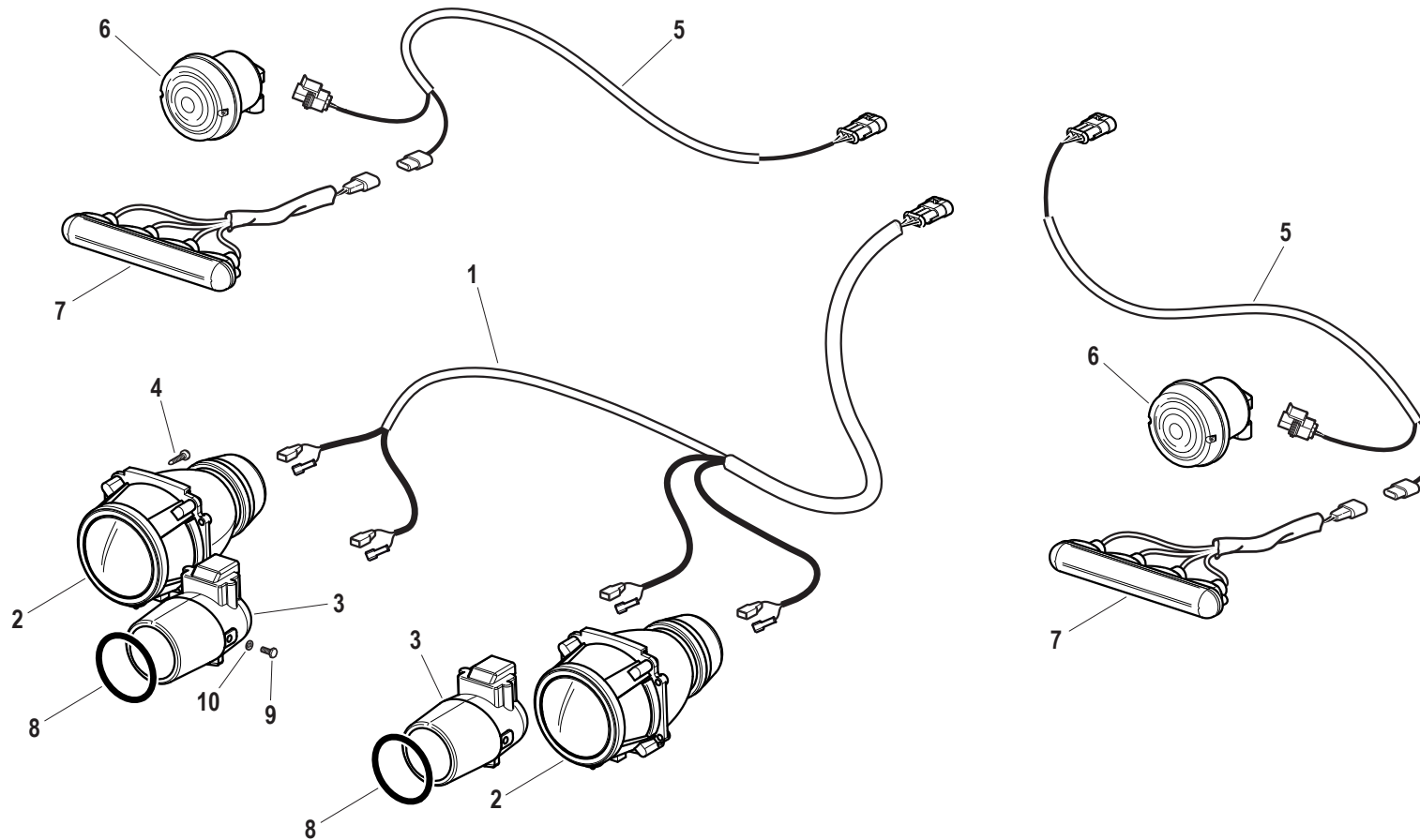
Pos.	Code	Q.ty	Description	Notes
1	590A1248	1	PLATE	
2	561A1267	1	SCREW	
3	31132565	1	SCREW TSVEI M8x16 UNI 5933	
4	31112150	2	SCREW TE M8X20 UNI 5739 8G	
5	F0843643060	4	WASHER 8	
6	590A1265	1	PEDAL	
7	30030016	1	BUSHING 14x25	
8	31111151	2	SCREW TE M8X16 UNI 5739 8G	
9	31411090	1	WASHER 9x24	
10	561A1434	1	BRACKET	
11	581A1471	1	CABLE	
12	F0803178000	1	O-RING 117	
13	563A1276	1	DIFFERENTIAL LOCK CONTROL ROD	
14	51372697	1	FORK	
15	F0851267050	1	PIN 6X30 DIN 7343 CL:C72	
16	58070198	1	SPRING	
17	56372674	1	PULL ROD	
18	59072675	1	SELECTOR FORK	
19	F0851260000	1	PIN 6X24 DIN 1481	
20	38110913	1	O-RING 109 (9,13X2,62)	
21	58070205	1	SPRING	
22	F0843957000	1	WASHER D.25x14,5/2,2	
23	35121014	1	SEEGER RING E 14 DIN 471	
24	59071779	1	COMMAND LEVER	
25	F0804052000	1	BUSHING 18X14/17,8	
26	56371777	1	HINGE PIN	
27	59072678	1	SHIELD	



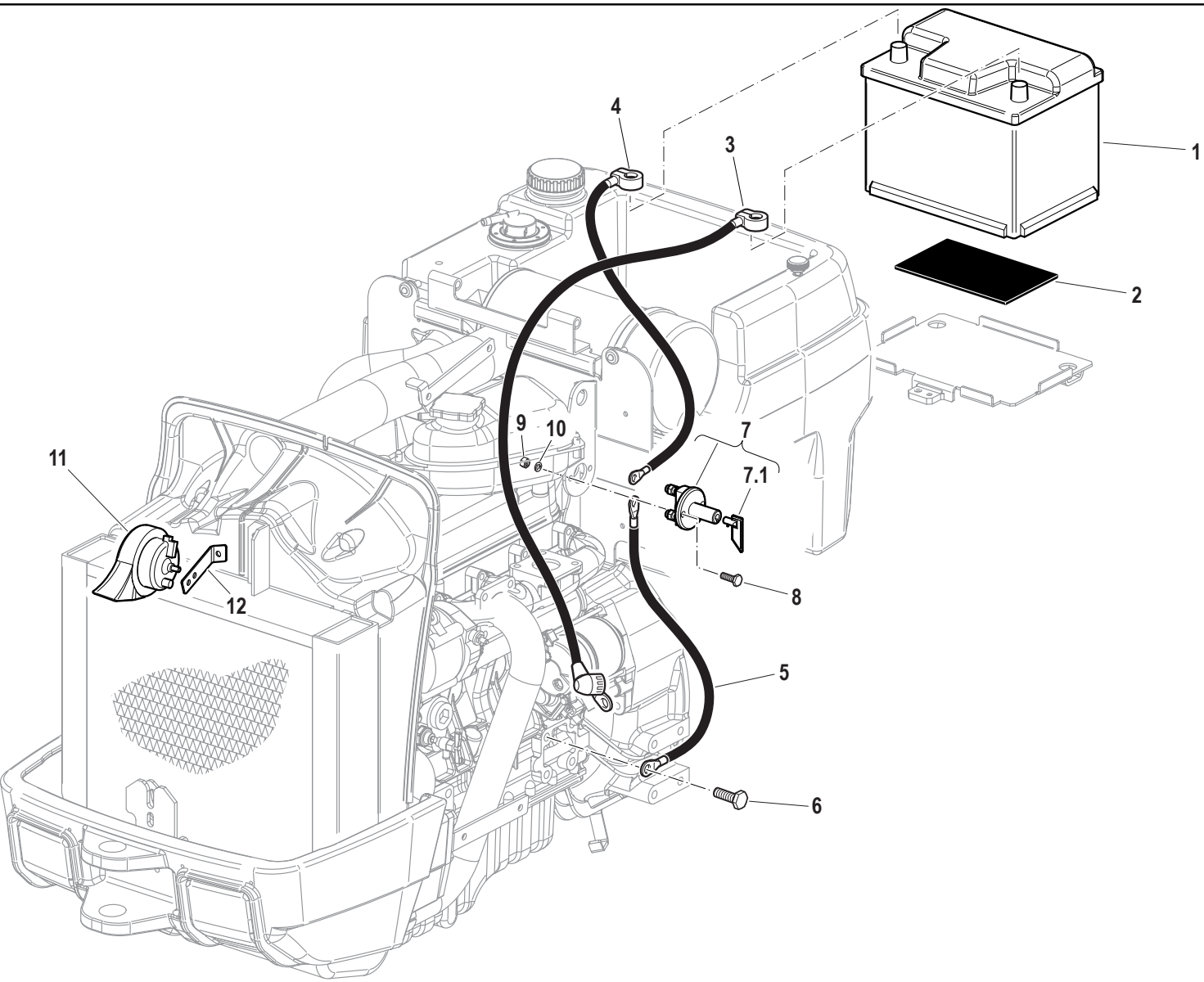
Pos.	Code	Q.ty	Description	Notes
1	52474190	1	GEAR SLEEVE	
2	524A0919	1	PTO REAR SHAFT	
3	F0812525100	1	BUSHING HK1210-B	
4	35121030	3	SEEGER RING E 30 DIN 471	
5	F0812779000	1	BEARING 6306-NR	
6	524A0922	1	PTO OUTPUT GEAR	
7	F0801264050	1	SEEGER RING E 35X2,5 U/7436	
8	F0812849100	1	BEARING 6207-NR	
9	37111303	1	BEARING	
10	51176022	1	COVER	
11	F0802190010	1	SEAL 42x62/7	
12	F0838131000	4	STUD BOLT M8X20 UNI 5911 8.8	
13	31211080	6	NUT M8	
14	52473521	1	SHAFT	
15	560A1035	1	P.T.O. PROTECTION	
16	56172079	1	SPACER	
17	56172080	1	SPACER	
18	F0838166018	2	STUD BOLT M8X45 UNI 5911 8.8	
19	F0843643060	2	WASHER 8	
20	P47043300000	1	PROTECTIVE RING	
21	P47033000000	1	GUARD	
22	31411084	1	WASHER 8,4x17	



Pos.	Code	Q.ty	Description	Notes
1	52371679	1	LEVER	
2	38112200	1	O-RING 3087 (22,00X2,62)	
3	52472430	1	SELECTOR FORK	
4	563A1252	1	PTO SELECTION PLATE	
5	31112150	3	SCREW TE M8X20 UNI 5739 8G	
6	F0843643060	3	WASHER 8	
7	561A0430	1	SMALL BLOCK	
8	34211054	1	ROLL PIN	
9	58070741	1	SPRING	
10	F0847434000	1	BALL	
11	590A1402	1	PTO COMPLETE LEVER	
12	31411090	1	WASHER 9x24	
13	58175187	1	KNOB	

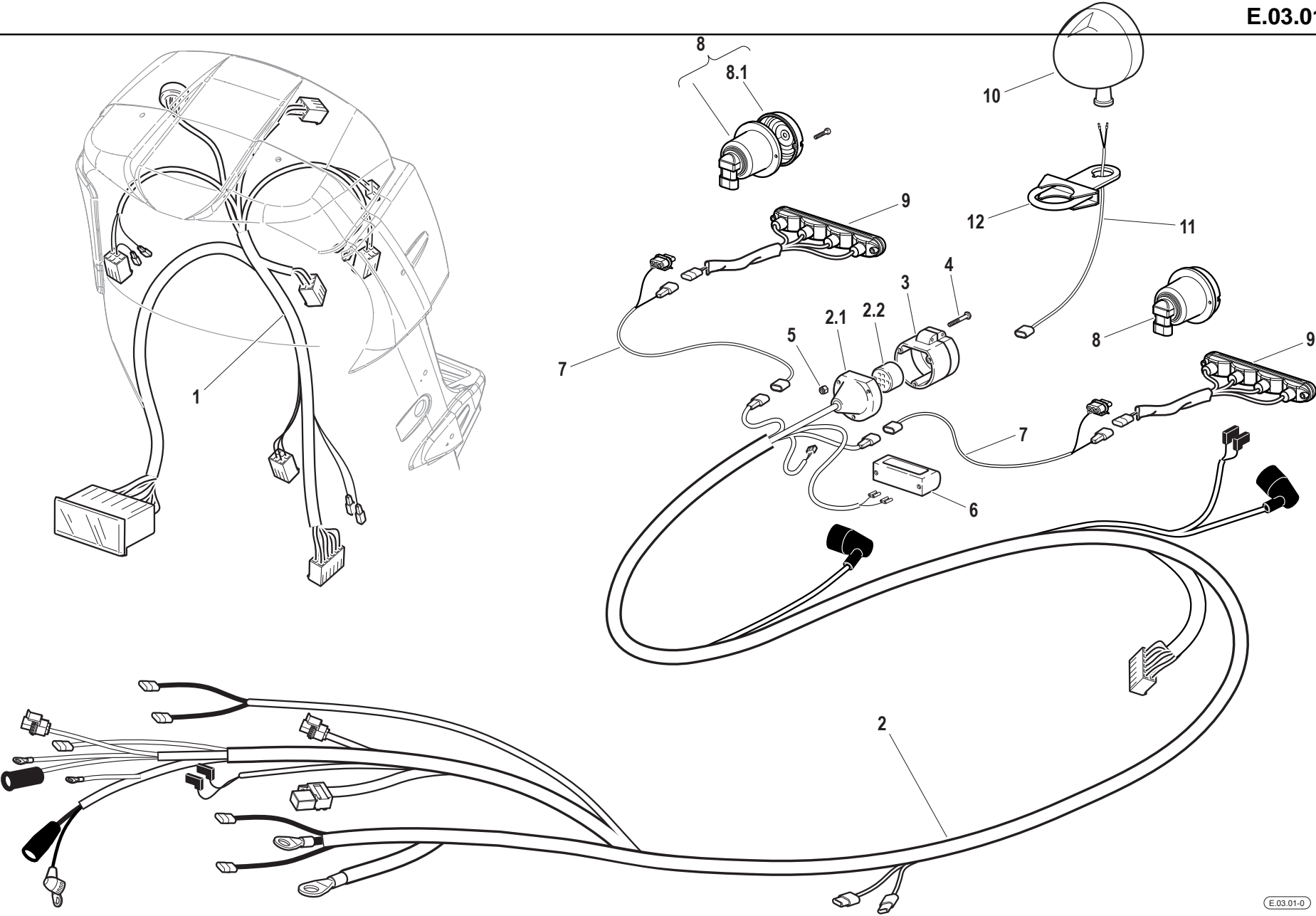


Pos.	Code	Q.ty	Description	Notes
1	580A1344	1	CABLE	
2	581A0071	2	OPTICAL GROUP	
3	30000510	2	HEADLIGHT	
4	F0861867050	8	SCREW M4,2X19 DIN 7981	
5	580A0479	2	CABLE	
6	581A0988	2	LAMP	
7	58176406	2	INDICATOR	
8	573A1574	2	GASKET	
9	F0861929060	4	SCREW M5X12 UNI 5739	
10	F0843561000	4	WASHER 5	



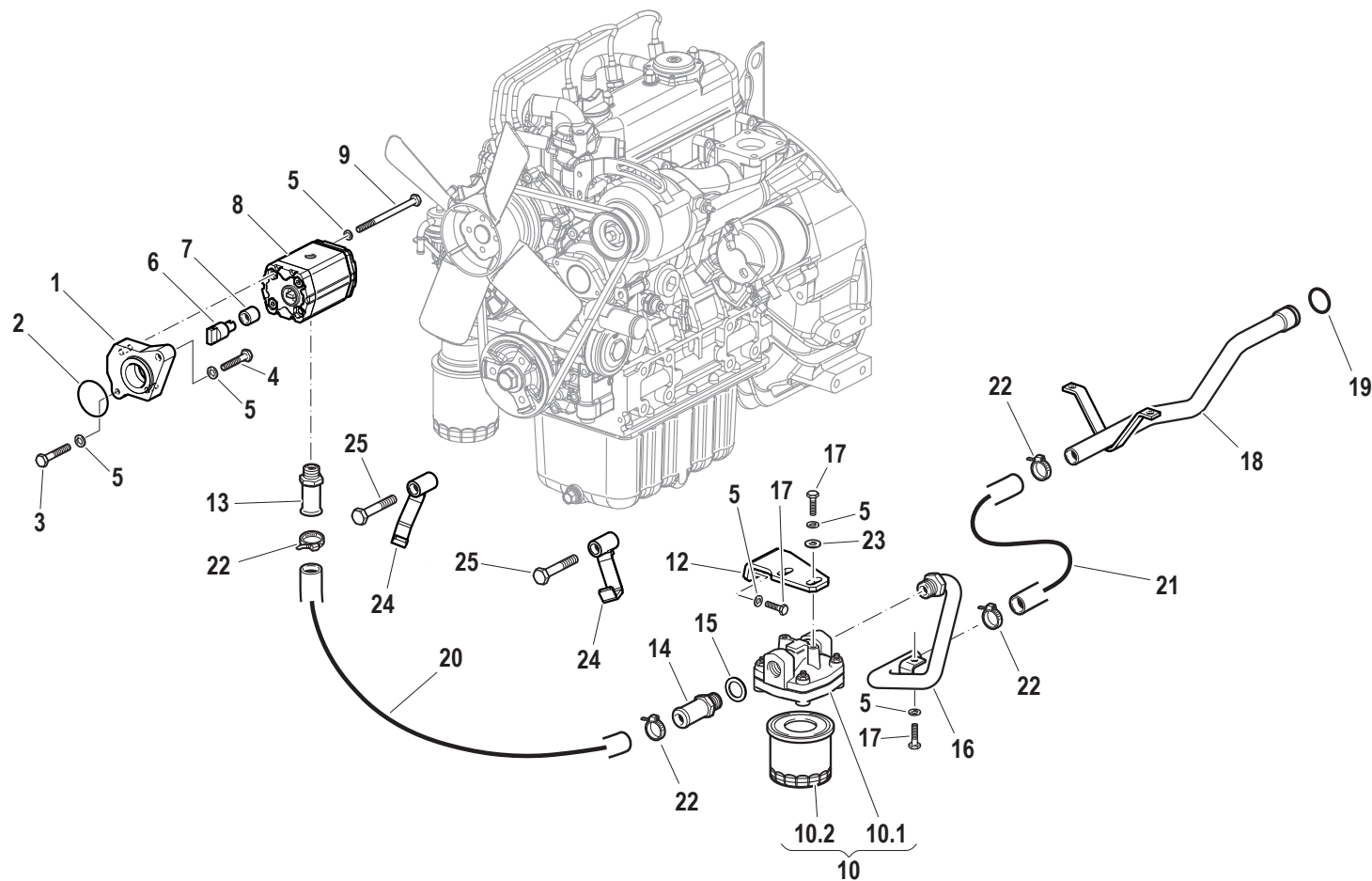
Pos.	Code	Q.ty	Description	Notes
1	58119799	1	BATTERY	
2	57370321	1	RUBBER	
3	58071313	1	CABLE	
4	580A1572	1	CABLE	
5	580A1573	1	CABLE	
6	31112900	1	SCREW TE M10X1,25X20 UNI5740	
7	30000644	1	SWITCH	
7.1	59901474	1	SWITCHING LEVER	
8	31112093	2	SCREW TE M6X20 UNI 5739 8G	
9	31211060	2	NUT M6	
10	F0843570000	2	WASHER 6	
11	F0825417000	1	HORN	
12	561A0929	1	FIXING BRACKET	

REAR ELECTRICAL SYSTEM



Pos.	Code	Q.ty	Description	Notes
1	580A1902	1	CABLE	
2	580A1901	1	CABLE	
2.1	58170572	1	CAP	
2.2	58170571	1	ATTACHMENT PLUG	
3	F0825438000	1	SOCKET	
4	F0861941000	3	SCREW M5X35 UNI 6107	
5	31211050	3	NUT M5	
6	30000506	1	LAMP	
7	580A0481	2	CABLE	
8	58176396	2	LAMP	
8.1	59901087	2	REAR LIGHT GLASS	
9	58176406	2	INDICATOR	
10	F0825493000	1	HEADLIGHT	
11	58077305	1	CABLE	
12	59077242	1	SUPPORT	

HYDR. SYSTEM OIL SUCTION



Pos.	Code	Q.ty	Description	Notes
1	561A1673	1	PUMP CONNECTION FLANGE	
2	38114450	1	RING	
3	31112153	1	SCREW TE M8X35 UNI 5739 8G	
4	31112152	1	SCREW TE M8X30 UNI 5739 8G	
5	F0843643060	9	WASHER 8	
6	563A1219	1	PUMP CONTROL SHAFT	
7	561A1221	1	BUSHING	
8	581A1555	1	LIFT PUMP	
9	31111166	2	SCREW TE M8X95	
10	58173337	1	FILTER	
10.1	F0825718010	1	FILTER HEAD	
10.2	58173642	1	FILTER INSERT	
11	31112150	2	SCREW TE M8X20 UNI 5739 8G	
12	561A1903	1	OIL FILTER BRACKET	
13	56172917	1	PIPE FITTING	
14	56170350	1	PIPE FITTING	
15	F0824185000	1	COPPER WASHER 26X34X1,5	
16	590A1699	1	SUCTION PIPE	
17	31111151	5	SCREW TE M8X16 UNI 5739 8G	
18	59074878	1	SUCTION PIPE	
19	38112507	1	O-RING 3100 (25,07X2,62)	
20	580A1446	1	PIPE	
21	58176336	1	SUCTION PIPE	
22	F0817523200	4	CLAMP	
23	31411084	2	WASHER 8,4x17	
24	590A1558	2	SUPPORTING YOKE	
25	31152106	2	SCREW TCEI M10X70 UNI 5931	

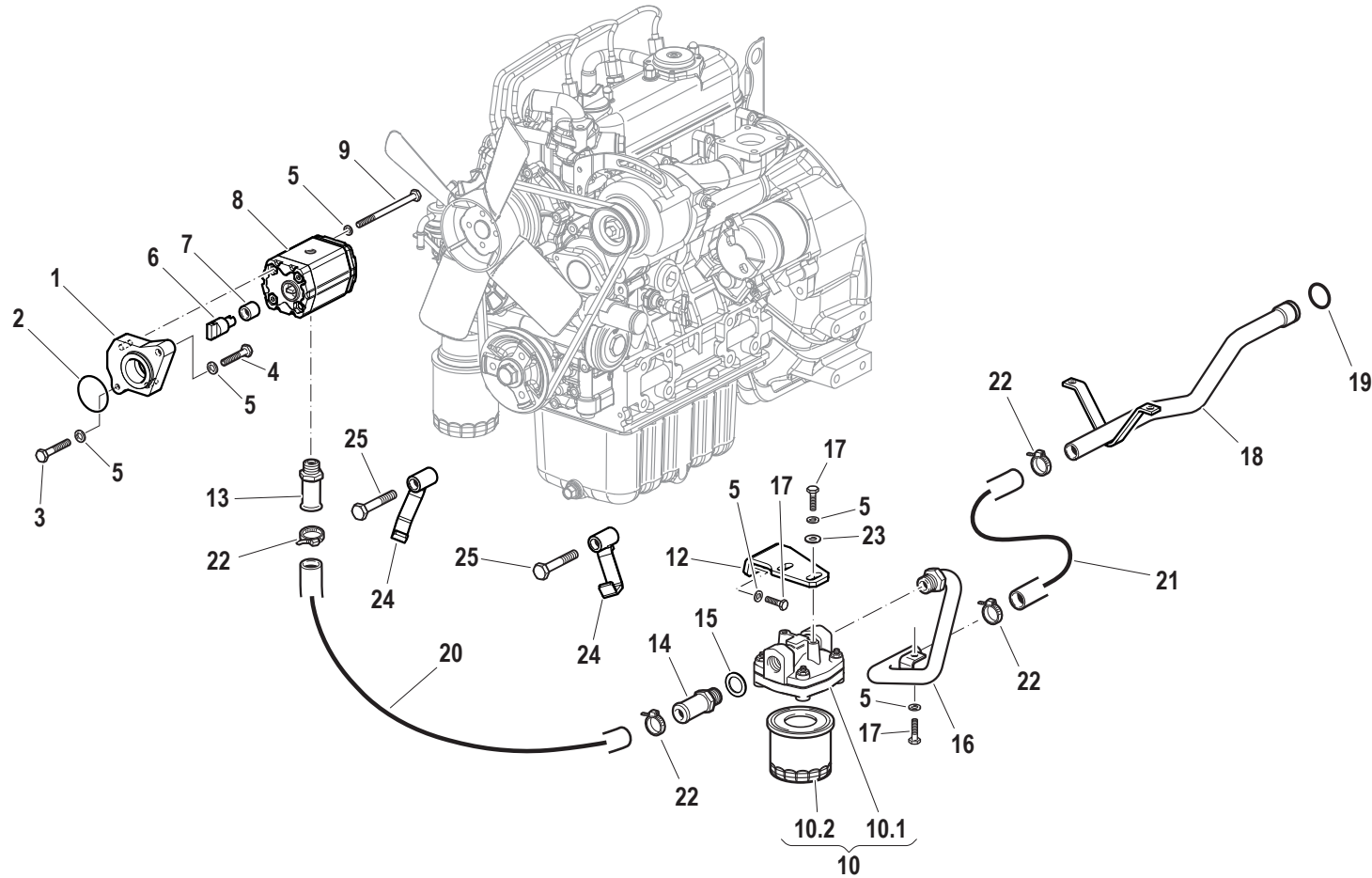
SERIAL

HYDR. SYSTEM OIL SUCTION

Engine: 30 CV

CODE REV

F.01.03_0_81089



Pos.	Code	Q.ty	Description	Notes
1	561A1673	1	PUMP CONNECTION FLANGE	
2	38114450	1	RING	
3	31112153	1	SCREW TE M8X35 UNI 5739 8G	
4	31112152	1	SCREW TE M8X30 UNI 5739 8G	
5	F0843643060	9	WASHER 8	
6	563A1219	1	PUMP CONTROL SHAFT	
7	561A1221	1	BUSHING	
8	581A1555	1	LIFT PUMP	
9	31111166	2	SCREW TE M8X95	
10	58173337	1	FILTER	
10.1	F0825718010	1	FILTER HEAD	
10.2	58173642	1	FILTER INSERT	
11	31112150	2	SCREW TE M8X20 UNI 5739 8G	
12	561A1903	1	OIL FILTER BRACKET	
13	56172917	1	PIPE FITTING	
14	56170350	1	PIPE FITTING	
15	F0824185000	1	COPPER WASHER 26X34X1,5	
16	590A1699	1	SUCTION PIPE	
17	31111151	5	SCREW TE M8X16 UNI 5739 8G	
18	59074878	1	SUCTION PIPE	
19	38112507	1	O-RING 3100 (25,07X2,62)	
20	581A0666	1	PIPE	
21	58176336	1	SUCTION PIPE	
22	F0817523200	4	CLAMP	
23	31411084	2	WASHER 8,4x17	
24	590A1558	2	SUPPORTING YOKE	
25	31152106	2	SCREW TCEI M10X70 UNI 5931	

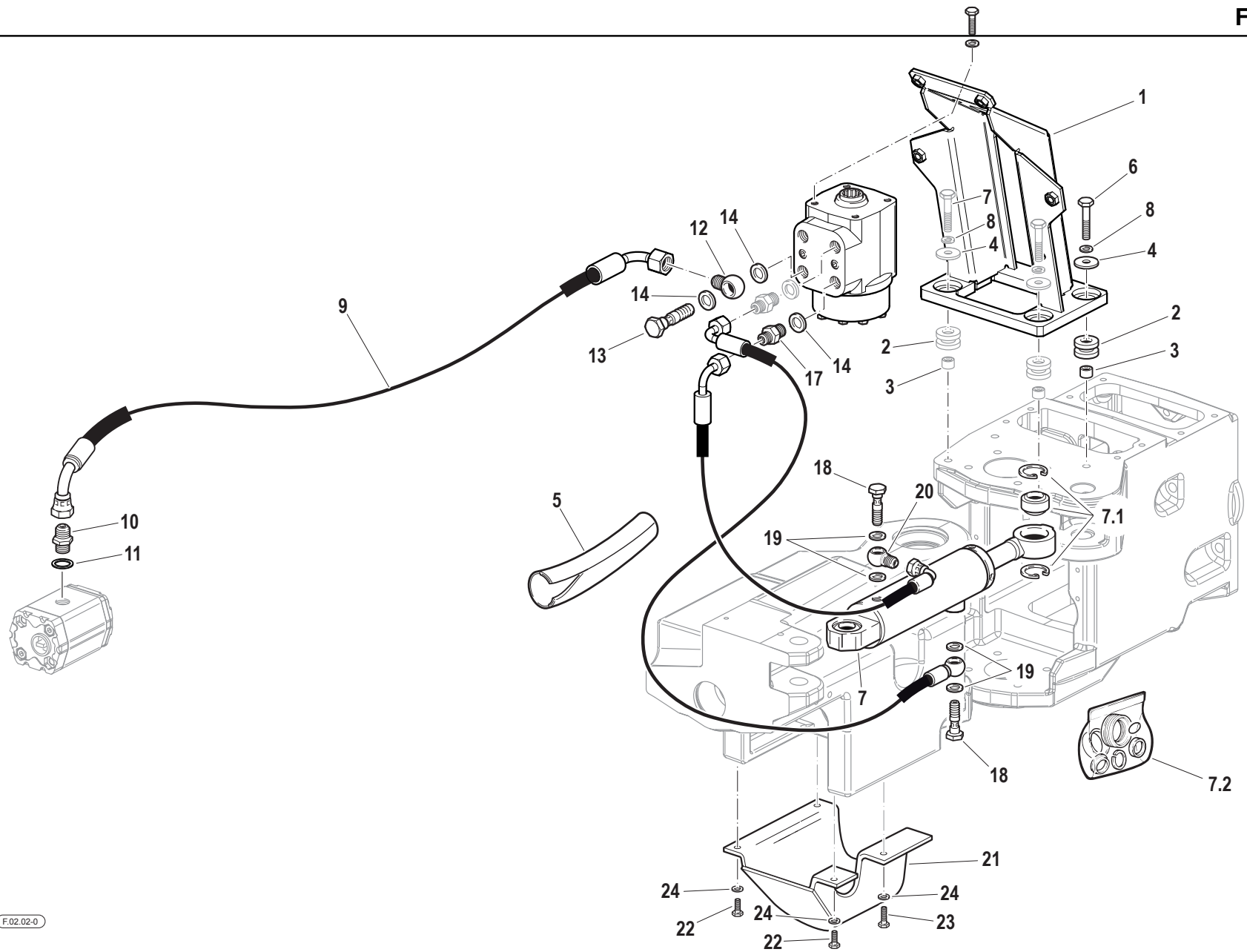
SERIAL

HYDR. SYSTEM OIL SUCTION

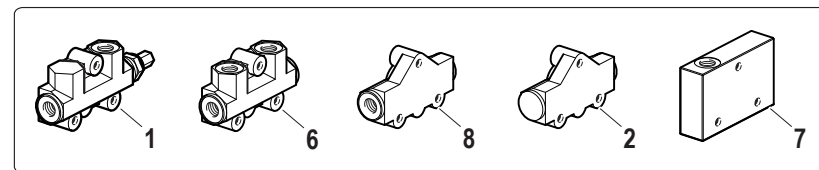
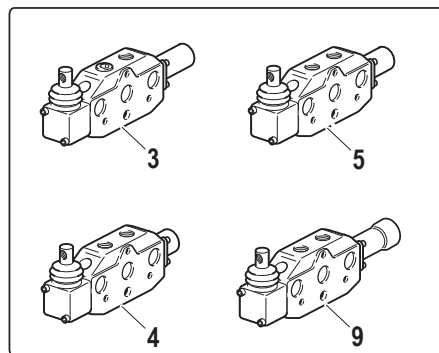
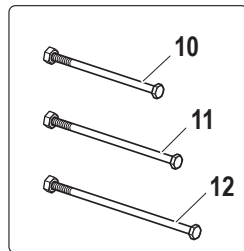
Engine: 40 CV

CODE REV

F.01.04_0_81115

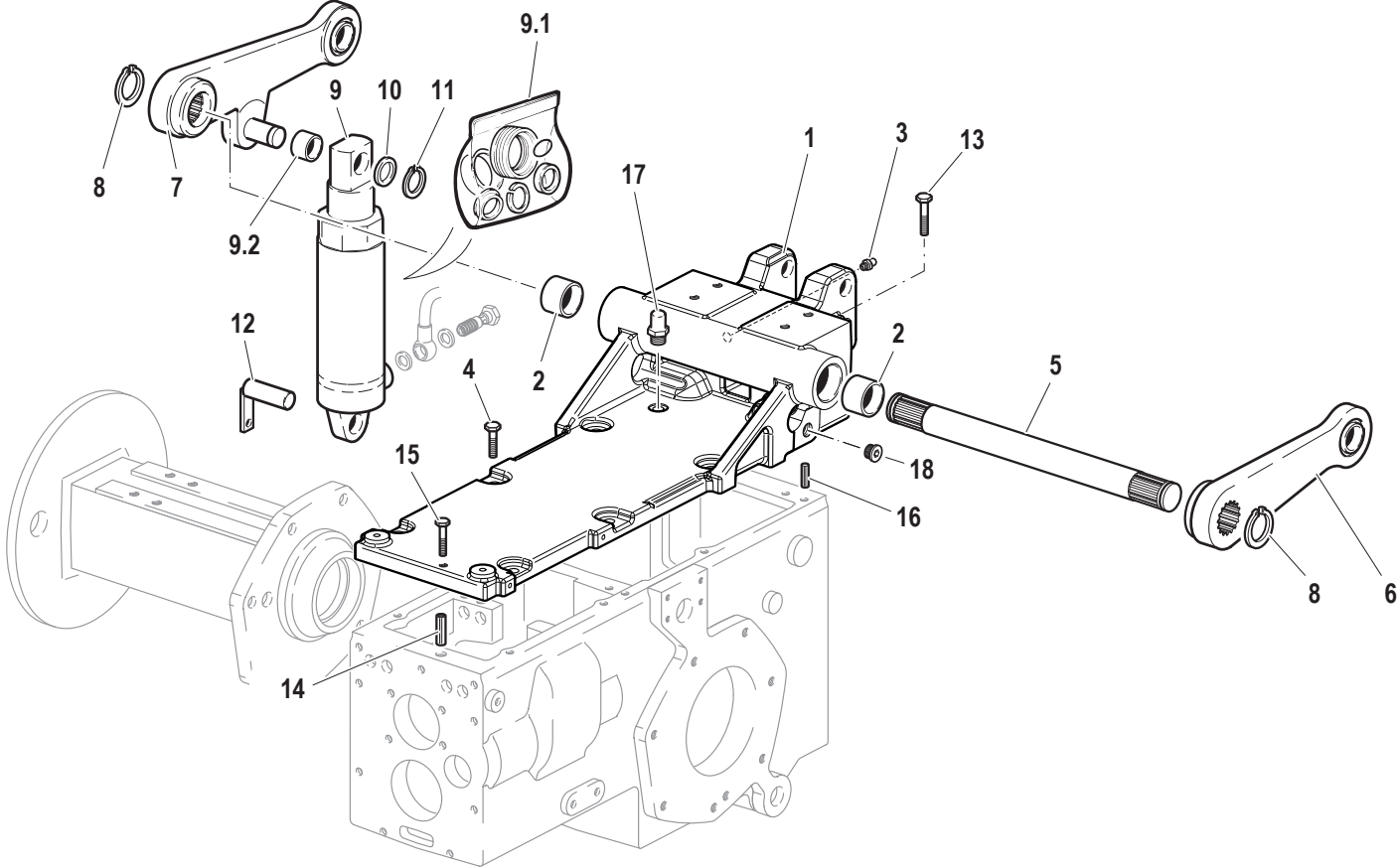


Pos.	Code	Q.ty	Description	Notes
1	590A1346	1	HOLDER COUPLING	
2	55175174	4	BLOCK	
3	56171954	4	SPACER	
4	F0843818000	4	WASHER 11x30/2,5	
5	57372345	1	SHIELD	
6	31112211	4	SCREW TE M10X30 UNI 5739	
7	58174019	1	STEERING CYLINDER	
7.1	59900178	1	BUSHINGS KIT	
7.2	59900179	1	GASKET SET	
8	F0843755000	4	WASHER 10	
9	580A1450	1	FLEXIBLE HOSE	
10	30000197	1	NIPPLE	
11	F0824110000	1	COPPER WASHER 3/8 GAS	
12	F0842512000	1	PIPE FITTING	
13	F0843116000	1	PIPE FITTING 1/2	
14	F0824141000	4	COPPER WASHER 21x27/1,5	
15	58073498	1	FLEXIBLE HOSE	
16	58073499	1	FLEXIBLE HOSE	
17	F0835040000	2	NIPPLE	
18	F0843109000	2	PIPE FITTING 14x1,5	
19	F0843948000	4	COPPER WASHER 14,0x20/1,5	
20	58170930	1	PIPE FITTING	
21	56173497	1	SHIELD	
22	31112082	3	SCREW TE M6X12 UNI 5739 8G	
23	31112090	1	SCREW TE M6X16 UNI 5739 8G	
24	F0843570000	4	WASHER 6	
25	581A1599	1	HYDROSTEERING	



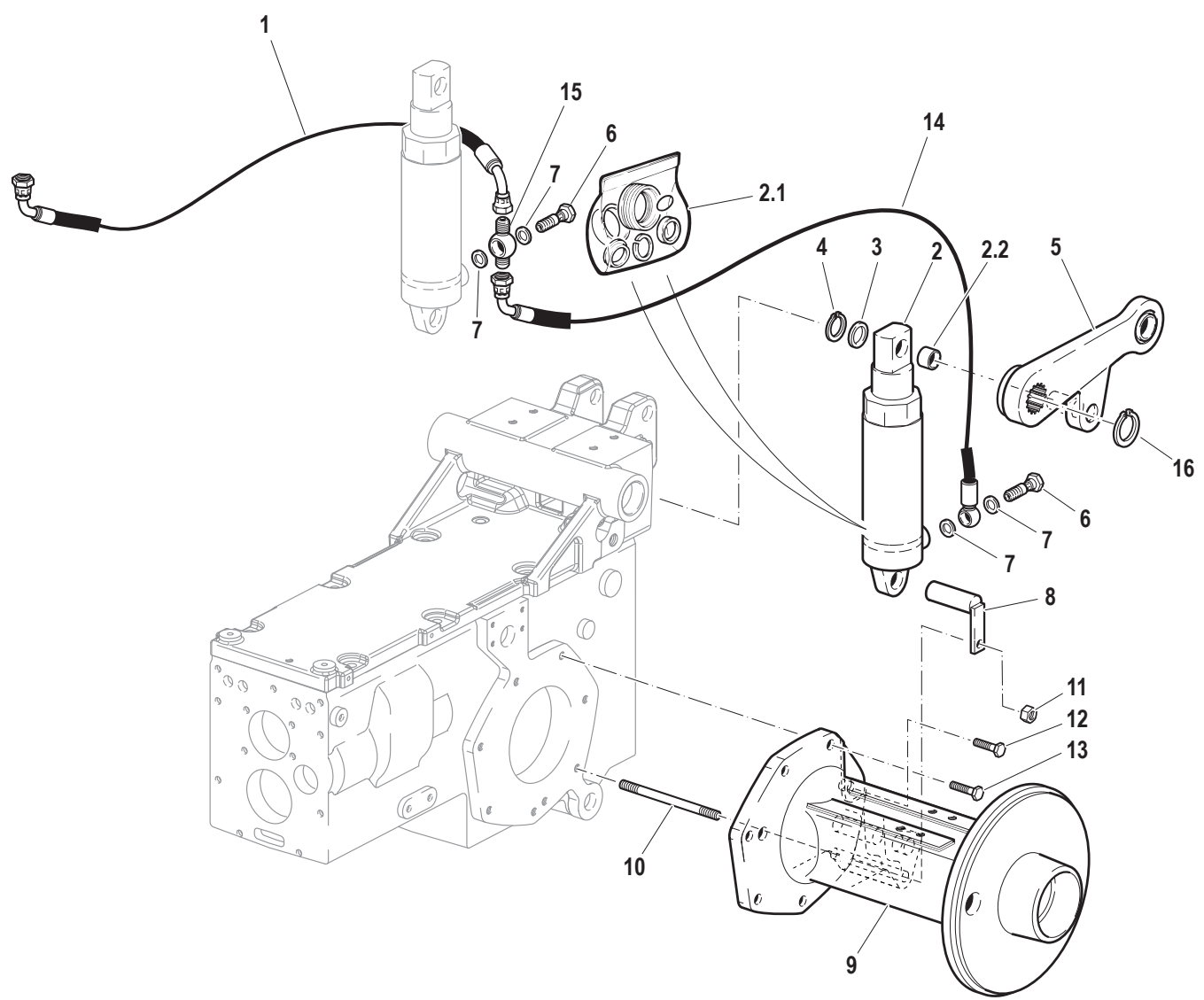
Pos.	Code	Q.ty	Description	Notes
1	581A1422	1	IN HEAD	
2	58172489	1	COVER	
3	58172011	1	S.A. VALVE	
4	58172012	1	D.A. VALVE	
5	58172013	1	D.A. VALVE	
6	581A0443	1	IN HEAD	
7	58173361	1	COVER	
8	581A1423	1	SEALING COVER	
9	58172014	1	D.A. VALVE	
10	31111165	1	SCREW TE M8X100 UNI 5737 8G	
11	31112178	1	SCREW TE M8X130 UNI 5737	
12	31112183	1	SCREW M8x160 8.8	

HYDRAULIC LIFT

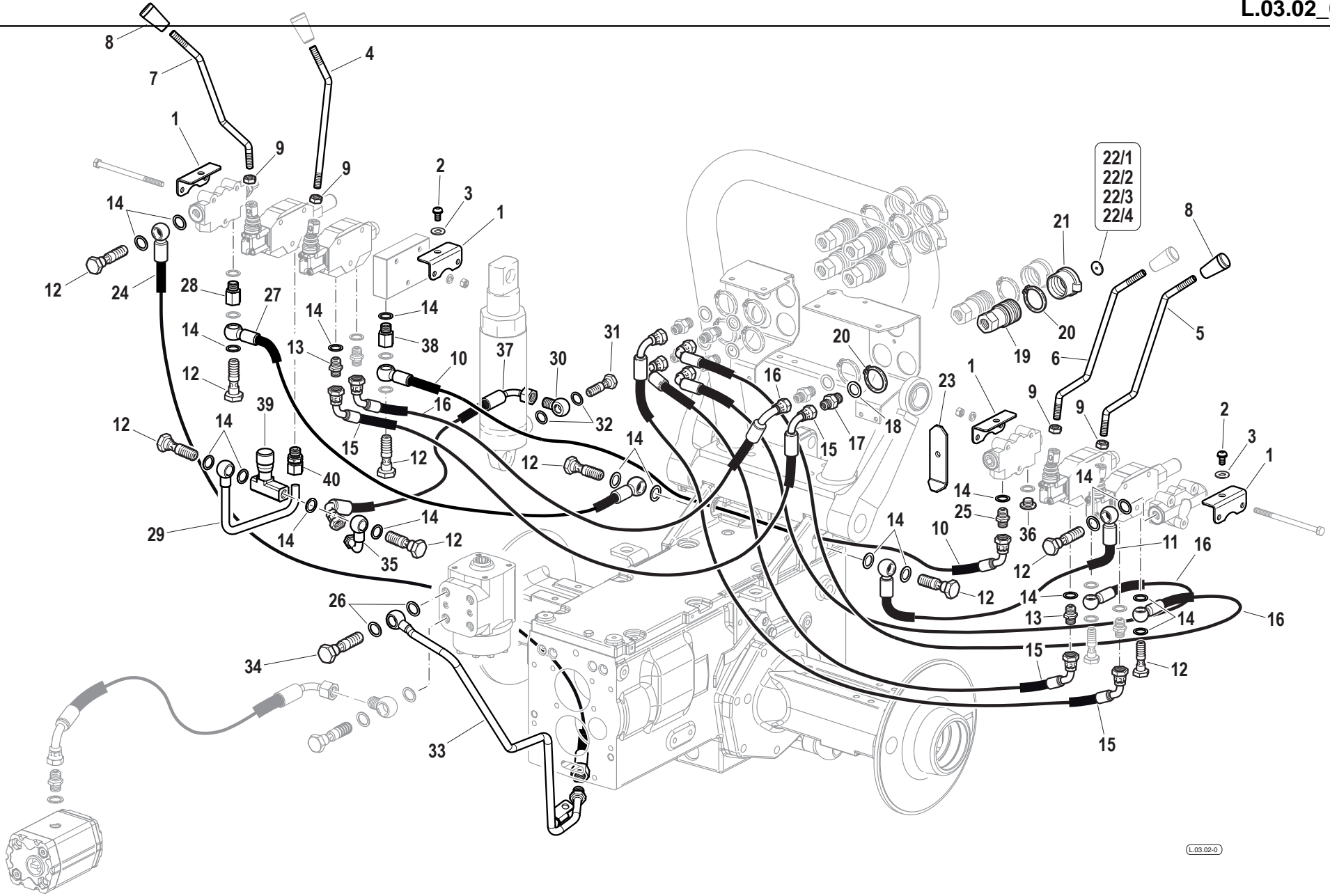


Pos.	Code	Q.ty	Description	Notes
1	511A1365	1	REAR LIFT SUPPORT	
2	58171861	2	BUSHING	
3	F0826056000	1	LUBRICATOR M10 UNI 7663A	
4	31112219	6	SCREW TE M10X25 UNI 5739	
5	56571785	1	SHAFT	
6	59072829	1	LIFTING ARM	
7	59072825	1	RIGHT ARM	
8	F0801264050	2	SEEGER RING E 35X2,5 U/7436	
9	58071534	1	LIFTING CYLINDER	
9.1	59900181	1	GASKET SET	
9.2	59900180	1	BUSHING	
10	56172905	1	THRUST PLATE	
11	35121022	1	SEEGER RING E 20 UNI 7436	
12	590A1642	1	CYLINDER HINGED PIN	
13	31112212	4	SCREW TE M10X35 UNI 5739	
14	56170017	1	PIN	
15	31112154	1	SCREW TE M8X40 UNI 5739 8G	
16	56370228	1	CYLINDRICAL PLUG	
17	30040005	1	PLUG	
18	58072045	1	PLUG	

2ND LIFTING HYDRAULIC JACK



Pos.	Code	Q.ty	Description	Notes
1	580A1442	1	FLEXIBLE HOSE	
2	58071534	1	LIFTING CYLINDER	
2.1	59900181	1	GASKET SET	
2.2	59900180	1	BUSHING	
3	56172905	1	THRUST PLATE	
4	35121022	1	SEEGER RING E 20 UNI 7436	
5	590A1052	1	LIFTING ARM	
6	F0843107000	2	PIPE FITTING GAS 1/4	
7	F0843907000	4	COPPER WASHER 13,66x19/1,5	
8	590A1642	1	CYLINDER HINGED PIN	
9	51174104	1	REAR AXLE HOUSING	
10	F0838660000	1	STUD BOLT M12X105 UNI 5911-66	
11	F0814695000	1	NUT M12	
12	31112272	1	SCREW TE M12X30 UNI 5739	
13	31112264	5	SCREW TE M12X35 UNI 5739	
14	58072269	1	FLEXIBLE HOSE	
15	F0842519050	1	PIPE FITTING	
16	F0801264050	1	SEEGER RING E 35X2,5 U/7436	



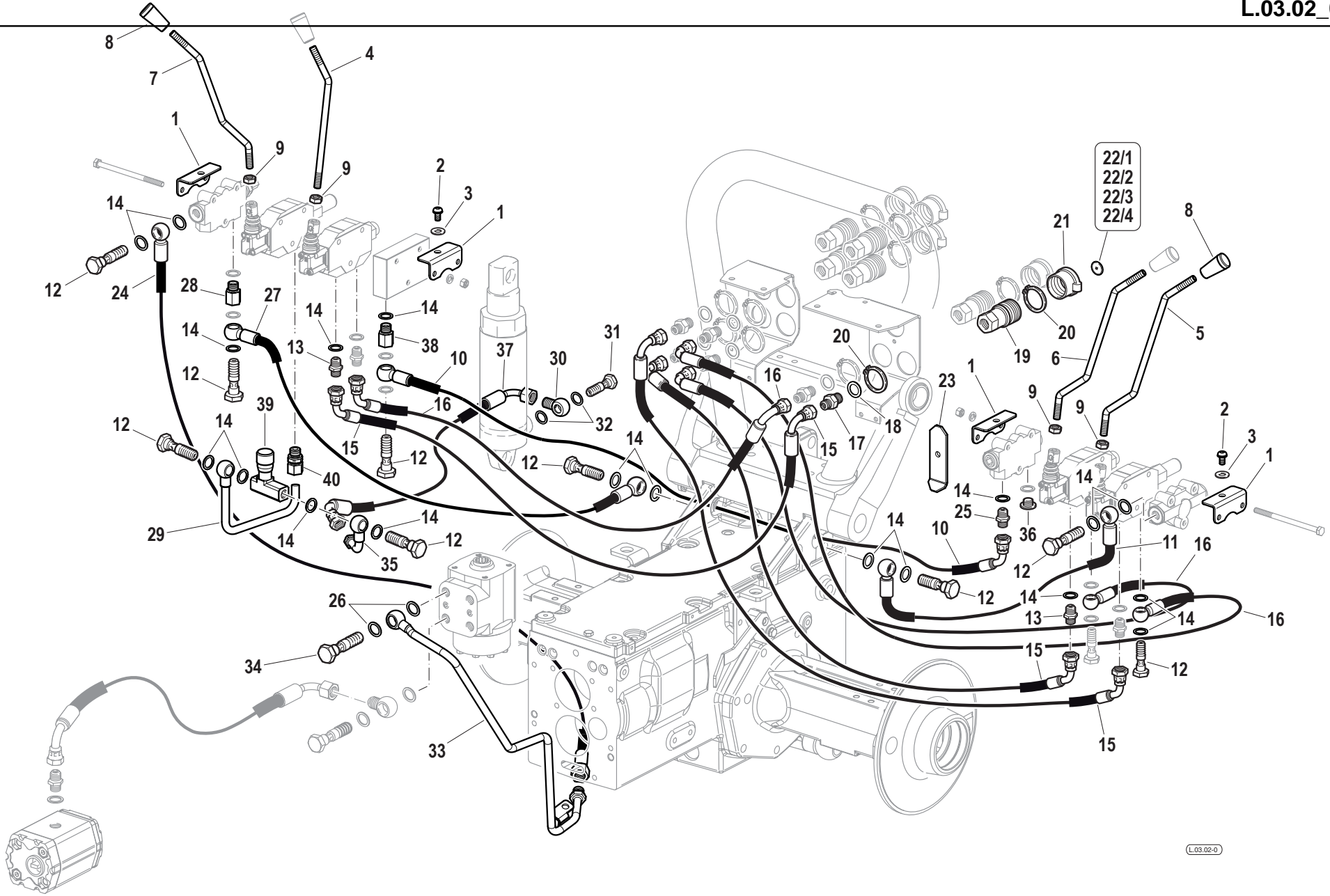
Pos.	Code	Q.ty	Description	Notes
1	59072057	4	FIXING BRACKET	
2	F0862479020	4	SCREW M8X16 7380	
3	31411084	2	WASHER 8,4x17	
4	56170964	1	COMMAND LEVER	
5	56175566	1	COMMAND LEVER	
6	56175567	1	COMMAND LEVER	
7	56172770	1	COMMAND LEVER	
8	552A1549	4	DEVICE GRIP	
9	31211100	4	NUT M10	
10	580A1444	1	FLEXIBLE HOSE	
11	580A1445	1	FLEXIBLE HOSE	
12	F0843109020	11	PIPE FITTING	
13	F0835023000	4	NIPPLE	
14	F0824110000	28	COPPER WASHER 3/8 GAS	
15	580A1453	3	FLEXIBLE HOSE	
16	580A1454	3	FLEXIBLE HOSE	
17	F0835040000	6	NIPPLE	
18	F0824141000	6	COPPER WASHER 21x27/1,5	
19	F0825980030	6	COUPLING	
20	F0801282000	12	SEEGER RING E 38 UNI 7435	
21	F0852550100	6	PLUG	
22/1	F0852550200	3	DECAL	
22/2	F0852550220	3	DECAL	
22/3	F0852550230	3	DECAL	
22/4	F0852550210	1	DECAL	
23	561A1432F	2	PLATE	
24	580A1563	1	FLEXIBLE HOSE	
25	30000197	1	NIPPLE	
26	F0824141000	3	COPPER WASHER 21x27/1,5	
27	580A1443	1	FLEXIBLE HOSE	
28	30000200	1	EXTENSION	
29	590A1436	1	PIPE	
30	58170930	1	PIPE FITTING	
31	F0843107000	1	PIPE FITTING GAS 1/4	

SERIAL

CONTROL VALVES EQUIPMENT

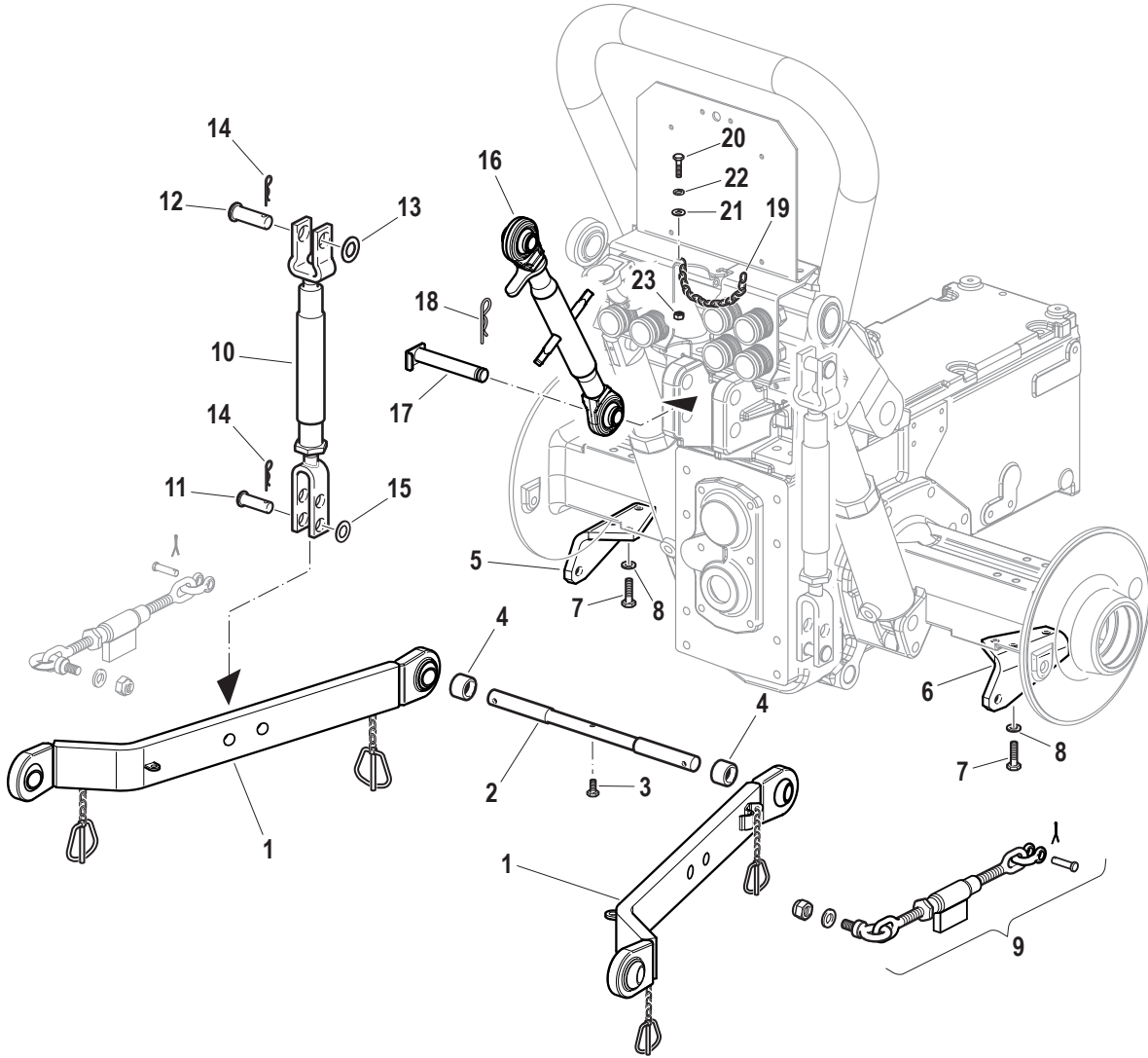
CODE REV

L.03.02_0_90593



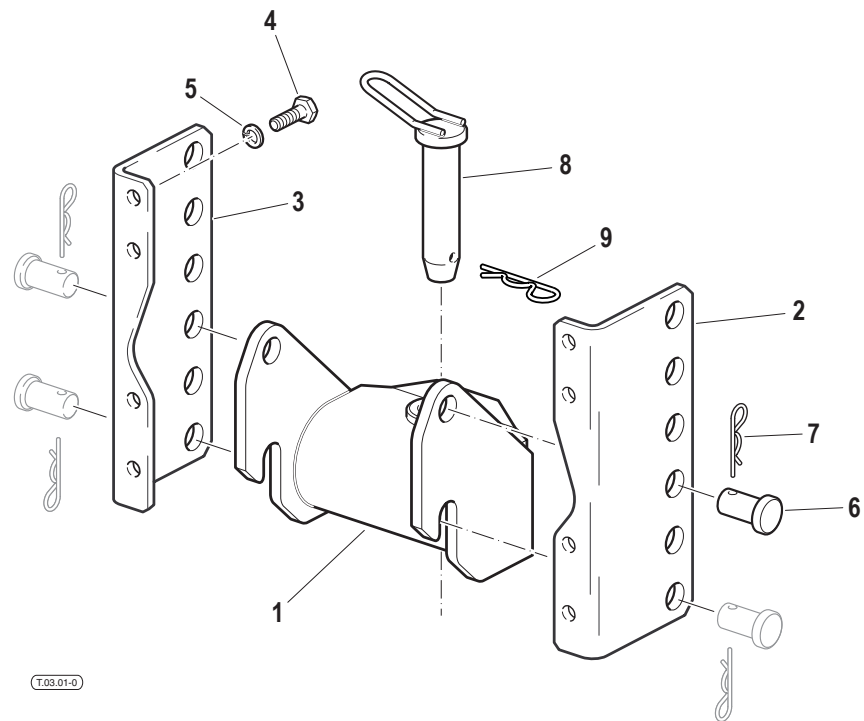
Pos.	Code	Q.ty	Description	Notes
32	F0843907000	2	COPPER WASHER 13,66x19/1,5	
33	590A1562	1	EXHAUST	
34	F0843116000	1	PIPE FITTING 1/2	
35	590A1437	1	PIPE	
36	30000777	1	PLUG 3/8 DIN 908	
37	580A1442	1	FLEXIBLE HOSE	
38	F0835027000	1	EXTENSION	
39	P24117100000	1	VALVE	
40	58172015	1	PIPE FITTING	

ATTACHMENT HITCH (BASIC VERSION)



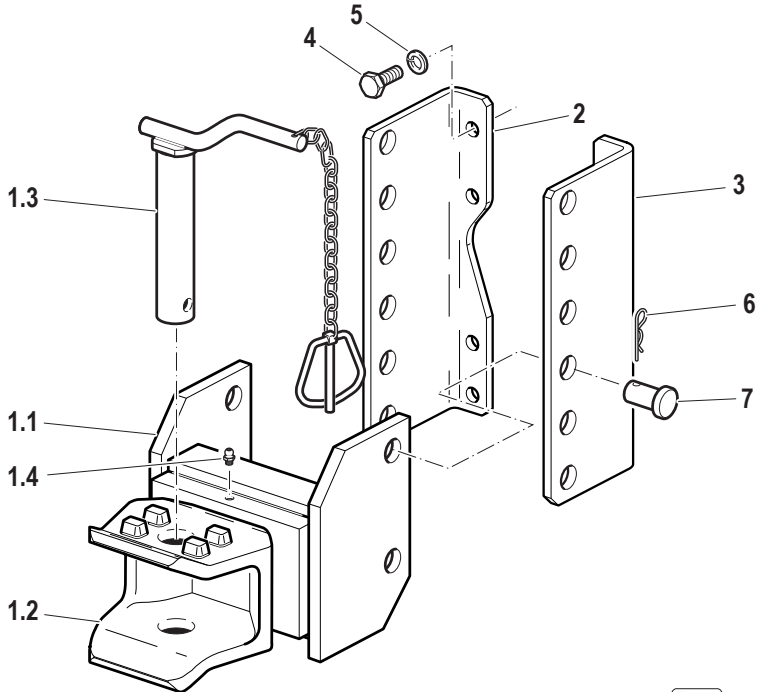
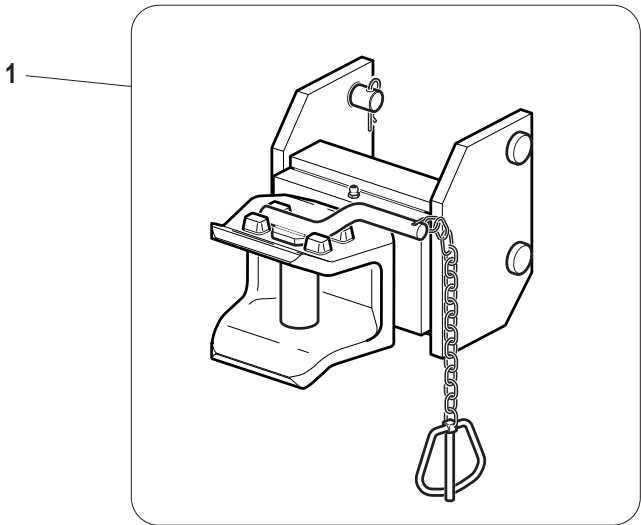
Pos.	Code	Q.ty	Description	Notes
1	59073491	2	BOTTOM LINK	
2	56571824	1	PIN	
3	31111151	1	SCREW TE M8X16 UNI 5739 8G	
4	F0844283020	2	SPACER D.38x22/22	
5	56072919	1	SUPPORT	
6	56072918	1	SUPPORT	
7	31112211	4	SCREW TE M10X30 UNI 5739	
8	F0843755000	4	WASHER 10	
9	58071998	2	ROD	
10	58072922	2	ROD	
11	56372925	2	PIN	
12	58072642	2	PIN	
13	31411190	2	WASHER 19x34	
14	F0851486000	4	SPLIT PIN	
15	31411170	2	WASHER 17x30	
16	F0060031247	1	3-POINT HITCH	
17	59078588	1	CONNECTING BOLT	
18	F0851486000	1	SPLIT PIN	
19	58076369	1	CHAIN	
20	31112093	1	SCREW TE M6X20 UNI 5739 8G	
21	31411066	1	WASHER 6,6x18	
22	F0843570000	1	WASHER 6	
23	31211060	1	NUT M6	

PULL HOOK

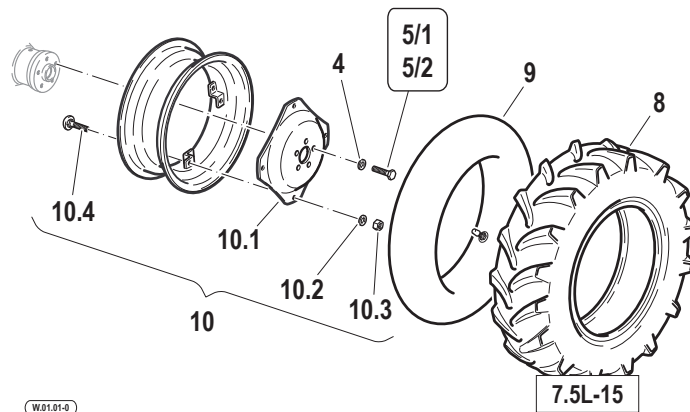
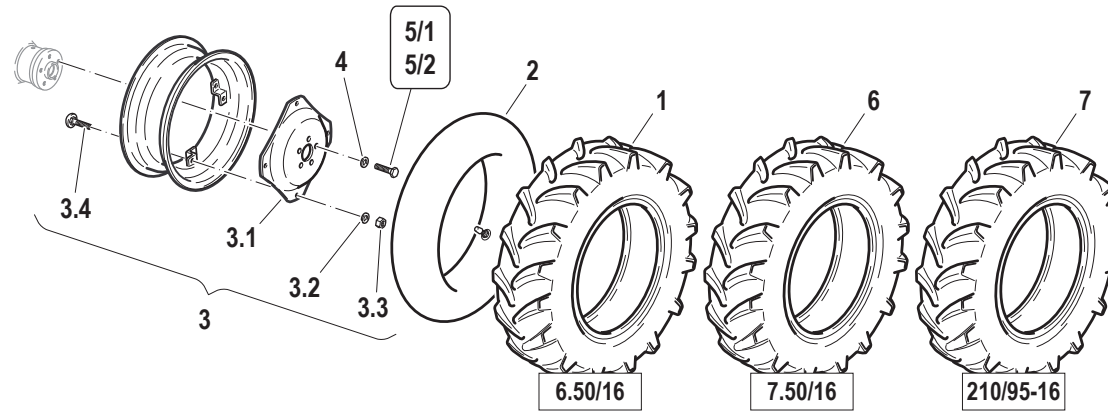


T.03.01-0

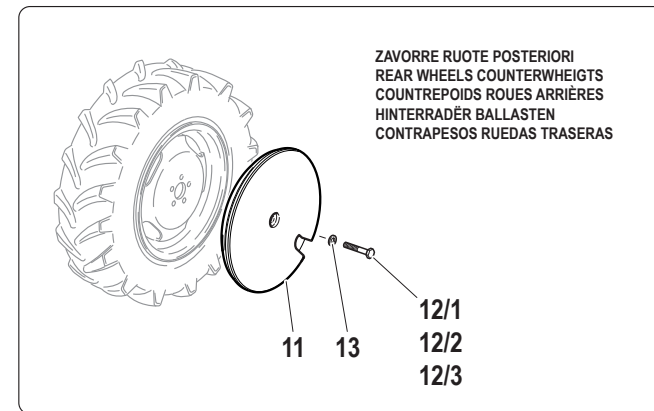
Pos.	Code	Q.ty	Description	Notes
1	590A0728	1	TOW HOOK	
2	56171788	1	SUPPORT	
3	56171789	1	SUPPORT	
4	31112272	8	SCREW TE M12X30 UNI 5739	
5	F0843843060	8	WASHER 12	
6	56372067	4	PIN	
7	F0851486000	4	SPLIT PIN	
8	F0808060100	1	LATCH D.28X117	
9	F0851497000	1	SPLIT PIN	



Pos.	Code	Q.ty	Description	Notes
1	59375017	1	TOW HOOK	
1.01	56075018	1	HOOK HINGING GROUP	
1.02	51175011	1	EEC HOMOLOGATED HOOK	
1.03	59075012	1	PIN	
1.04	F0826056000	1	LUBRICATOR M10 UNI 7663A	
2	56171788	1	SUPPORT	
3	56171789	1	SUPPORT	
4	31112272	8	SCREW TE M12X30 UNI 5739	
5	F0843843060	8	WASHER 12	
6	F0851486000	4	SPLIT PIN	
7	56377980	4	PIN	

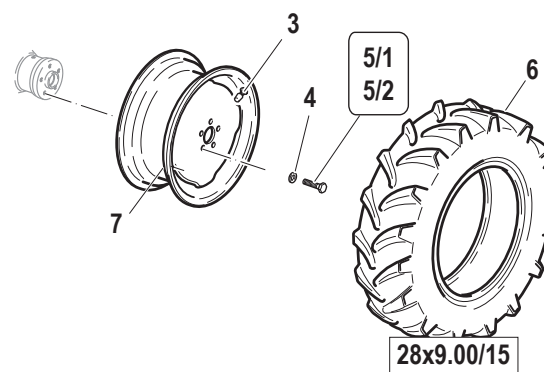
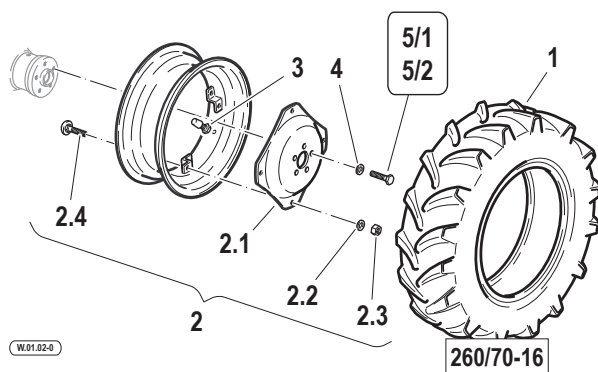


W.01.01-0



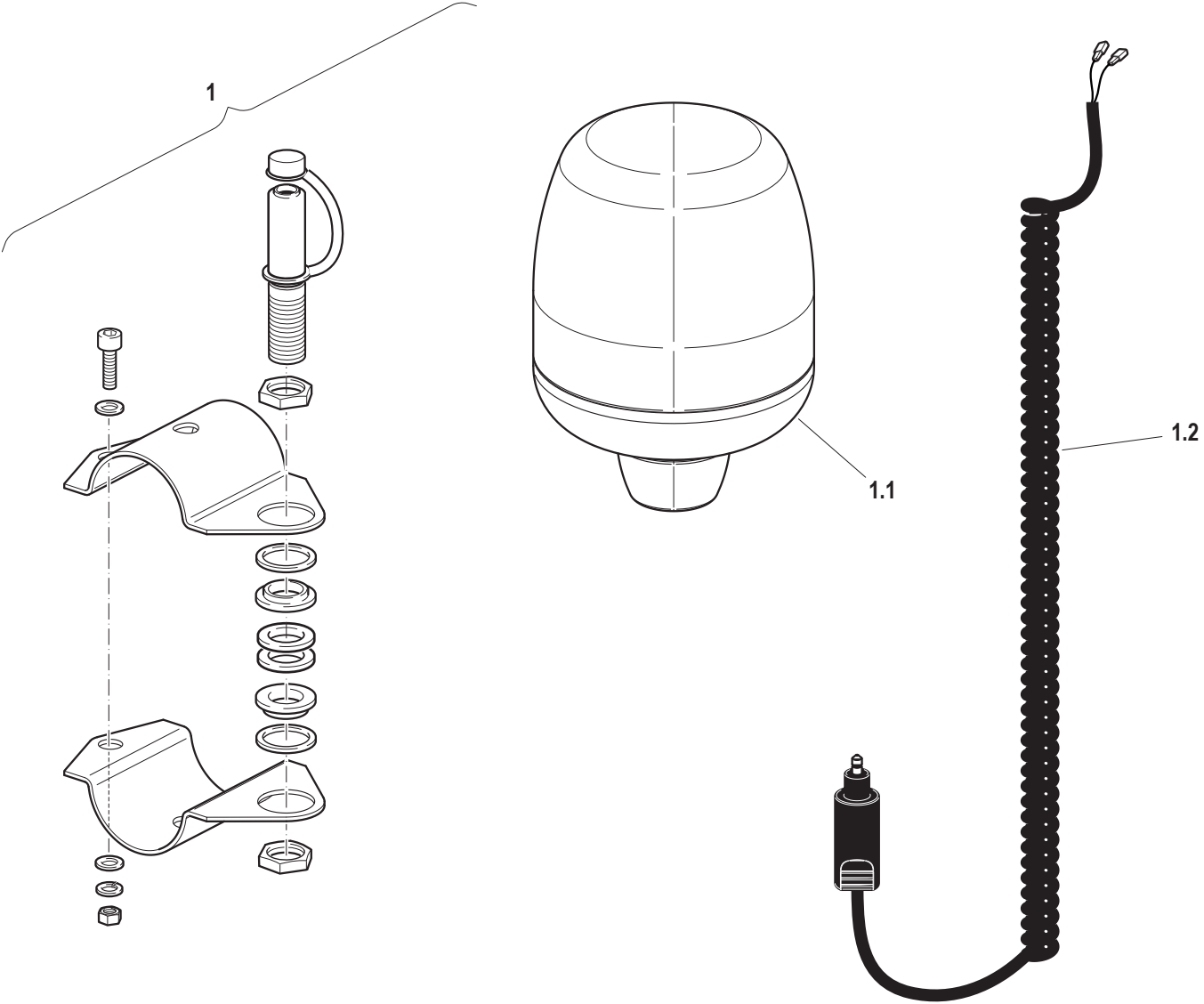
Pos.	Code	Q.ty	Description	Notes
1	F0848610000	1	TYRE 6.50-16 4PR	
2	F0848887000	1	INNER TUBE	
3	592A0616	1	RIM	
3.1	581A0619	1	5.50FX16 RIM FLANGE	
3.2	31411150	4	WASHER 15x28	
3.3	F0814751000	4	NUT M14	
3.4	F0864200000	4	SCREW M14X35 UNI 5739	
4	56573708	5	WASHER D.28x14,5/3,5	
5/1	F0864176000	5	SPECIAL SCREW TE M14x1,5/25	
5/2	F0864192000	5	SCREW TE M14x1,5/35	
6	F0848635000	1	TYRE 7.50-16 8PR	
7	39118030	1	TURE 210/95R16	
8	F0848629000	1	TYRE 7.5L15 8PR	
9	39416021	1	INNER TUBE	
10	58178909	1	RIM	
10.1	58175971	1	DISC	
10.2	31411150	4	WASHER 15x28	
10.3	F0814751000	4	NUT M14	
10.4	F0864200000	4	SCREW M14X35 UNI 5739	
11	51176070	1	BALLAST	
12/1	F0864364000	1	SCREW M16X60 UNI 5737	
12/2	31112446	1	SCREW TE M16X120UNI5737	
12/3	F0864403000	1	SCREW M16X150 UNI 5737	
13	F0844084000	1	WASHER D.35x17/4	

QUESTE VARIANTI NON SONO COMPATIBILI CON LE ZAVORRE RUOTE POSTERIORI
 THESE VERSIONS ARE INCOMPATIBLE WITH THE REAR WHEELS COUNTERWEIGTS
 CES VARIANTES SONT INCOMPATIBLES AVEC LES COUNTERPOIDS ROUES ARRIÈRES
 DIESE VARIANTEN SIND MIT DEN HINTERRADÉR BALLASTEN UNVEREINBAR
 ESTAS VARIANTES SON INCOMPATIBLES CON LOS CONTRAPESOS RUEDAS ANTERIORAS



Pos.	Code	Q.ty	Description	Notes
1	39118040	1	TYRE 260/70R16	
2	58174453	1	RIM	
2.1	58175971	1	DISC	
2.2	31411150	4	WASHER 15x28	
2.3	F0814751000	4	NUT M14	
2.4	F0864200000	4	SCREW M14X35 UNI 5739	
3	F0150010905	1	VALVE	
4	56573708	5	WASHER D.28x14,5/3,5	
5/1	F0864176000	5	SPECIAL SCREW TE M14x1,5/25	
5/2	F0864192000	5	SCREW TE M14x1,5/35	
6	F0150010910	1	WHEEL 28X9.0-15/8 TLB3	
7	58176203	1	RIM	

ROTATING LAMP



Pos.	Code	Q.ty	Description	Notes
1	92481555	1	FLASH LIGHT SET	
1.1	58177756	1	ROTARY WARN. LAMP	
1.2	58177759	1	CABLE	

SPARE PARTS INSTANCE INDEX



SPARE PARTS INSTANCE INDEX

Code	Parts Table	Pos.	Q.ty	Code	Parts Table	Pos.	Q.ty	Code	Parts Table	Pos.	Q.ty
28173187	A.05.01_0_78020	24	1	31111151	F.01.03_0_81089	17	5	31112150	B.02.04_0_78461	27	2
30000007	C.02.02_0_78710	9	2		F.01.04_0_81115	17	5		B.02.04_0_78461	38	2
30000197	F.02.02_0_80948	10	1		T.01.02_0_78999	3	1		B.03.04_0_78542	14	6
	L.03.02_0_90593	25	1	31111165	I.01.01_0_79478	10	1		D.10.01_0_87079	4	2
30000200	L.03.02_0_90593	28	1	31111166	F.01.03_0_81089	9	2		D.12.01_0_79115	5	3
30000257	A.01.01_0_78283	13	1		F.01.04_0_81115	9	2		F.01.03_0_81089	11	2
	A.01.02_0_78314	13	1	31111219	A.05.01_0_78020	3	2		F.01.04_0_81115	11	2
30000276	B.08.01_0_78089	17	1	31112082	B.02.03_0_78411	12	8	31112151	B.05.04_0_78617	17	2
30000385	B.08.01_0_78089	20	1		B.02.04_0_78461	12	8		D.02.02_0_78843	17	2
30000386	B.08.01_0_78089	21	1		F.02.02_0_80948	22	3		D.04.02_0_78917	24	1
30000387	B.08.01_0_78089	22	1	31112090	A.02.03_0_80234	8	2	31112152	B.02.03_0_78411	26	1
30000506	E.03.01_0_90539	6	1		A.02.04_0_80254	8	2		B.02.04_0_78461	26	1
30000510	E.01.01_0_87533	3	2		B.02.03_0_78411	19	2		F.01.03_0_81089	4	1
30000514	B.03.04_0_78542	24	1		B.02.04_0_78461	19	2		F.01.04_0_81115	4	1
30000638	B.02.03_0_78411	42	1		B.05.04_0_78617	38	2	31112153	F.01.03_0_81089	3	1
	B.02.04_0_78461	42	1		D.02.02_0_78843	29	2		F.01.04_0_81115	3	1
	D.02.02_0_78843	35	1		F.02.02_0_80948	23	1	31112154	L.01.01_0_79438	15	1
30000643	B.08.01_0_78089	16	1	31112093	A.03.01_0_77926	12	6	31112178	I.01.01_0_79478	11	1
30000644	E.02.01_0_90525	7	1		A.03.02_0_77959	12	6	31112183	I.01.01_0_79478	12	1
30000648	B.08.01_0_78089	12	1		C.02.02_0_78710	19	4	31112208	B.05.04_0_78617	20	2
30000777	L.03.02_0_90593	36	1		E.02.01_0_90525	8	2	31112210	A.05.01_0_78020	4	2
30030016	D.10.01_0_87079	7	1		T.01.02_0_78999	20	1	31112211	A.01.01_0_78283	2	4
30040005	L.01.01_0_79438	17	1	31112147	A.01.01_0_78283	5	4		A.01.02_0_78314	2	4
31111084	B.08.01_0_78089	13	4		A.01.02_0_78314	5	4		C.01.02_0_78189	3	4
31111090	C.01.02_0_78189	14	1		B.03.04_0_78542	29	4		C.02.02_0_78710	6	2
31111091	B.02.03_0_78411	18	3		B.04.02_0_78069	17	3		F.02.02_0_80948	6	4
	B.02.04_0_78461	18	3		B.05.04_0_78617	18	14		T.01.02_0_78999	7	4
31111151	A.01.01_0_78283	11	1		D.02.02_0_78843	3	6	31112212	D.02.02_0_78843	32	1
	A.01.02_0_78314	11	1	31112148	A.02.03_0_80234	3	2		D.04.02_0_78917	4	1
	A.05.01_0_78020	8	4		A.02.04_0_80254	3	2		L.01.01_0_79438	13	4
	A.06.01_0_78345	5	1	31112150	A.06.01_0_78345	2	4	31112213	B.04.02_0_78069	11	2
	A.06.02_0_78353	5	1		A.06.02_0_78353	2	4	31112214	A.01.01_0_78283	1	2
	B.05.04_0_78617	25	14		B.02.03_0_78411	27	2		A.01.02_0_78314	1	2
	D.10.01_0_87079	8	2		B.02.03_0_78411	38	2		C.01.02_0_78189	2	2

SPARE PARTS INSTANCE INDEX

Code	Parts Table	Pos.	Q.ty	Code	Parts Table	Pos.	Q.ty	Code	Parts Table	Pos.	Q.ty
31112219	B.08.01_0_78089	4	4	31152100	A.01.02_0_78314	3	2	31231161	B.02.03_0_78411	43	1
	C.03.01_0_78209	11	4		C.01.02_0_78189	4	2		B.02.04_0_78461	43	1
	L.01.01_0_79438	4	6	31152106	F.01.03_0_81089	25	2	31241081	B.02.03_0_78411	15	2
31112226	A.03.01_0_77926	3	2		F.01.04_0_81115	25	2		B.02.03_0_78411	29	3
	A.03.02_0_77959	3	2	31200501	A.04.01_0_77992	5	1		B.02.04_0_78461	15	2
31112229	D.02.02_0_78843	31	1		A.04.02_0_78006	5	1		B.02.04_0_78461	29	3
	D.04.02_0_78917	3	1	31211040	B.08.01_0_78089	15	4	31411043	B.02.03_0_78411	5	8
31112264	A.01.01_0_78283	23	2	31211050	E.03.01_0_90539	5	3		B.02.04_0_78461	5	8
	A.01.02_0_78314	23	2	31211060	A.03.01_0_77926	18	2	31411064	B.03.04_0_78542	27	4
	B.05.04_0_78617	3	2		A.03.02_0_77959	18	2		B.05.04_0_78617	33	4
	C.01.02_0_78189	12	14		E.02.01_0_90525	9	2		B.09.01_0_78661	5	4
	C.03.01_0_78209	9	10		T.01.02_0_78999	23	1	31411066	A.03.01_0_77926	14	6
	L.02.01_0_79459	13	5	31211080	A.01.01_0_78283	6	2		A.03.02_0_77959	14	6
31112272	A.01.01_0_78283	22	2		A.01.02_0_78314	6	2		T.01.02_0_78999	21	1
	A.01.02_0_78314	22	2		A.04.01_0_77992	3	1	31411084	B.02.03_0_78411	28	3
	B.03.04_0_78542	3	8		A.04.02_0_78006	3	1		B.02.03_0_78411	34	2
	C.03.01_0_78209	8	2		A.05.01_0_78020	10	6		B.02.03_0_78411	41	2
	L.02.01_0_79459	12	1		B.02.03_0_78411	36	2		B.02.04_0_78461	28	3
	T.03.01_0_78953	4	8		B.02.03_0_78411	39	2		B.02.04_0_78461	34	2
	T.03.02_0_78963	4	8		B.02.04_0_78461	36	2		B.02.04_0_78461	41	2
31112446	W.01.01_0_78753	12/2	1		B.02.04_0_78461	39	2		B.03.04_0_78542	15	10
31112900	E.02.01_0_90525	6	1		B.03.04_0_78542	30	6		B.04.02_0_78069	18	3
31112910	A.01.01_0_78283	20	8		B.04.02_0_78069	9	2		B.05.04_0_78617	14	34
	A.01.02_0_78314	20	8		B.05.04_0_78617	10	22		B.08.01_0_78089	26	4
31121007	B.05.04_0_78617	13	2		C.02.02_0_78710	31	5		B.10.01_0_78674	4	1
31121017	B.05.04_0_78617	9	2		D.01.02_0_78251	2	1		D.11.01_0_79318	22	1
31132562	A.02.03_0_80234	11	2		D.11.01_0_79318	13	6		F.01.03_0_81089	23	2
	A.02.04_0_80254	11	2	31211100	L.03.02_0_90593	9	4		F.01.04_0_81115	23	2
	C.02.02_0_78710	36	4	31212100	B.05.04_0_78617	26	2		L.03.02_0_90593	3	2
	C.02.02_0_78710	40	2	31231080	A.02.03_0_80234	17	2	31411090	B.04.02_0_78069	8	2
31132565	D.10.01_0_87079	3	1		A.02.04_0_80254	17	2		B.05.04_0_78617	27	2
31152088	B.02.03_0_78411	14	2		D.02.02_0_78843	25	1		B.09.01_0_78661	10	2
	B.02.04_0_78461	14	2	31231090	D.02.02_0_78843	21	1		D.10.01_0_87079	9	1
31152100	A.01.01_0_78283	3	2		D.04.02_0_78917	19	2		D.12.01_0_79115	12	1

SPARE PARTS INSTANCE INDEX

Code	Parts Table	Pos.	Q.ty	Code	Parts Table	Pos.	Q.ty	Code	Parts Table	Pos.	Q.ty
31411105	B.05.04_0_78617	19	20	37111255	C.02.02_0_78710	33	1	51272728	D.08.01_0_80274	20	1
	D.04.02_0_78917	11	1	37111303	D.11.01_0_79318	9	1	51272729	D.08.01_0_80274	22	1
31411150	D.04.02_0_78917	26	2	37111404	D.01.02_0_78251	27	2	51272730	D.08.01_0_80274	18	1
	W.01.01_0_78753	3.2	4		D.09.01_0_79023	17	2	512A1053	C.01.02_0_78189	10	1
	W.01.01_0_78753	10.2	4	37112249	C.02.02_0_78710	28	1	512A1054	C.01.02_0_78189	11	1
	W.01.02_0_78778	2.2	4	37221300	D.01.02_0_78251	10	2	51372697	D.10.01_0_87079	14	1
31411170	T.01.02_0_78999	15	2	37320155	D.06.01_0_80179	8	1	51374866	D.01.02_0_78251	20	1
31411190	T.01.02_0_78999	13	2	38104412	C.02.02_0_78710	22	4	51374867	D.09.01_0_79023	3	1
31413042	B.02.03_0_78411	9	10	38110913	D.10.01_0_87079	20	1	52172158	C.02.02_0_78710	11	1
	B.02.04_0_78461	9	10	38112200	D.12.01_0_79115	2	1	52172159	C.02.02_0_78710	11	1
31510090	B.02.03_0_78411	8	10	38112507	F.01.03_0_81089	19	1	52172160	C.02.02_0_78710	11	1
	B.02.04_0_78461	8	10		F.01.04_0_81115	19	1	52172161	C.02.02_0_78710	11	1
31510092	B.02.03_0_78411	4	8	38112670	D.01.02_0_78251	6	1	52172162	C.02.02_0_78710	11	1
	B.02.04_0_78461	4	8	38114450	F.01.03_0_81089	2	1	522A0634	D.08.01_0_80274	16	1
31510096	B.08.01_0_78089	9	8		F.01.04_0_81115	2	1	52371679	D.12.01_0_79115	1	1
34110021	D.02.02_0_78843	23	1	38212206	D.07.01_0_80149	1	1	523A0166	C.02.02_0_78710	7	2
	D.04.02_0_78917	10	4	39118030	W.01.01_0_78753	7	1	523A1274	D.03.01_0_78795	6	2
34110031	D.08.01_0_80274	5	1	39118040	W.01.02_0_78778	1	1	52471509	D.01.02_0_78251	19	2
34211054	D.12.01_0_79115	8	1	39416021	W.01.01_0_78753	9	1		D.09.01_0_79023	7	4
34211060	D.02.02_0_78843	2	3	50972173	D.04.02_0_78917	28	1	52471513	D.01.02_0_78251	15	1
35111052	C.02.02_0_78710	27	2	50973529	D.07.01_0_80149	12	1	52471516	D.01.02_0_78251	16	1
35111063	D.01.02_0_78251	11	2	50974039	D.02.02_0_78843	20	1	52472430	D.12.01_0_79115	3	1
35111080	D.01.02_0_78251	26	2	51172684	D.08.01_0_80274	1	1	52472646	D.06.01_0_80179	4	1
	D.09.01_0_79023	18	2	51172716	D.03.01_0_78795	1	2	52472654	D.06.01_0_80179	7	1
35121014	D.08.01_0_80274	30	1	51172967	C.01.02_0_78189	1	1	52472657	D.07.01_0_80149	16	1
	D.10.01_0_87079	23	1	51173547	C.03.01_0_78209	5	1	52472659	D.06.01_0_80179	16	1
35121022	L.01.01_0_79438	11	1	51174104	C.03.01_0_78209	4	1	52472700	D.09.01_0_79023	8	1
	L.02.01_0_79459	4	1		L.02.01_0_79459	9	1	52472701	D.09.01_0_79023	9	1
35121025	C.02.02_0_78710	26	2	51175011	T.03.02_0_78963	1.02	1	52472711	D.09.01_0_79023	14	1
35121028	D.03.01_0_78795	8	2	51176022	D.11.01_0_79318	10	1	52472712	D.09.01_0_79023	15	1
35121030	D.11.01_0_79318	4	3	51176070	W.01.01_0_78753	11	1	52472852	D.07.01_0_80149	6	1
35131026	D.04.02_0_78917	14	1	511A1034	C.03.01_0_78209	1	1	52473521	D.11.01_0_79318	14	1
35211060	B.02.03_0_78411	32	1	511A1301	C.02.02_0_78710	16	1	52474190	D.11.01_0_79318	1	1
	B.02.04_0_78461	32	1	511A1365	L.01.01_0_79438	1	1	52475450	D.07.01_0_80149	11	1

SPARE PARTS INSTANCE INDEX

Code	Parts Table	Pos.	Q.ty	Code	Parts Table	Pos.	Q.ty	Code	Parts Table	Pos.	Q.ty
52476787	D.07.01_0_80149	15	1	552A1059	B.09.01_0_78661	2	1	56170226	C.02.02_0_78710	14	1
52477270	D.01.02_0_78251	23	1	552A1071	B.02.03_0_78411	7	1	56170350	F.01.03_0_81089	14	1
52477271	D.01.02_0_78251	24	1		B.02.04_0_78461	7	1		F.01.04_0_81115	14	1
52477748	D.06.01_0_80179	11	1	552A1072	B.02.03_0_78411	6	1	56170964	L.03.02_0_90593	4	1
524A0911	D.06.01_0_80179	6	1		B.02.04_0_78461	6	1	56171671	D.01.02_0_78251	7	1
524A0912	D.07.01_0_80149	8	1	552A1073	B.02.03_0_78411	3	1	56171672	D.01.02_0_78251	9	1
524A0919	D.11.01_0_79318	2	1		B.02.04_0_78461	3	1	56171788	T.03.01_0_78953	2	1
524A0922	D.11.01_0_79318	6	1	552A1074V	B.02.03_0_78411	30	1		T.03.02_0_78963	2	1
524A0942	C.02.02_0_78710	25	1		B.02.04_0_78461	30	1	56171789	T.03.01_0_78953	3	1
55172608	C.02.02_0_78710	34	2	552A1075	A.03.01_0_77926	6	1		T.03.02_0_78963	3	1
55174021	D.02.02_0_78843	27	1		A.03.02_0_77959	6	1	56171936	D.04.02_0_78917	23	1
55175174	B.04.02_0_78069	3	4	552A1367	B.08.01_0_78089	6	1	56171954	B.04.02_0_78069	6	2
	B.05.04_0_78617	7	4	552A1549	L.03.02_0_90593	8	4		F.02.02_0_80948	3	4
	B.09.01_0_78661	8	2	56071768	A.02.03_0_80234	2	2	56171996	B.04.02_0_78069	4	2
	F.02.02_0_80948	2	4		A.02.04_0_80254	2	2		B.05.04_0_78617	8	2
551A1246	B.09.01_0_78661	1	2	56072918	T.01.02_0_78999	6	1		B.09.01_0_78661	9	2
551A1292	A.04.02_0_78006	6	1	56072919	T.01.02_0_78999	5	1	56172079	B.02.03_0_78411	25	1
551A1293	A.04.01_0_77992	6	1	56074020	D.02.02_0_78843	28	1		B.02.04_0_78461	25	1
551A1294	A.04.01_0_77992	7	1	56075018	T.03.02_0_78963	1.01	1		D.11.01_0_79318	16	1
	A.04.02_0_78006	7	1	56077608	A.05.01_0_78020	13	2	56172080	D.11.01_0_79318	17	1
551A1295	A.03.01_0_77926	21	1	560A1035	D.11.01_0_79318	15	1	56172163	C.02.02_0_78710	37	2
	A.03.02_0_77959	21	1	560A1303N	B.02.03_0_78411	1.1	1	56172643	D.02.02_0_78843	6	1
551A1296	A.03.01_0_77926	22	1		B.02.04_0_78461	1.1	1	56172685	C.03.01_0_78209	10	1
	A.03.02_0_77959	22	1	560A1305N	B.02.03_0_78411	1.3	1	56172719	D.03.01_0_78795	4	2
551A1433	A.03.01_0_77926	28	1		B.02.04_0_78461	1.3	1	56172770	L.03.02_0_90593	7	1
	A.03.02_0_77959	28	1	560A1306N	B.02.03_0_78411	1.4	1	56172905	L.01.01_0_79438	10	1
551A1603	D.08.01_0_80274	10	2		B.02.04_0_78461	1.4	1		L.02.01_0_79459	3	1
55279804	B.03.04_0_78542	17	1	560A1307N	B.02.03_0_78411	1.2	2	56172917	F.01.03_0_81089	13	1
55279805	B.03.04_0_78542	18	1		B.02.04_0_78461	1.2	2		F.01.04_0_81115	13	1
55279806	B.05.04_0_78617	22	1	560A1427	A.01.01_0_78283	14	1	56173447	C.02.02_0_78710	35	2
55279807	B.05.04_0_78617	23	1		A.01.02_0_78314	14	1	56173497	F.02.02_0_80948	21	1
552A1049	A.05.01_0_78020	11	1	560A1527	A.05.01_0_78020	2	2	56173884	C.02.02_0_78710	15	2
552A1057	B.08.01_0_78089	7	1	560A1904Z	D.04.02_0_78917	30	1	56174635	A.04.01_0_77992	2	1
552A1058	B.08.01_0_78089	8	1	56170017	L.01.01_0_79438	14	1		A.04.02_0_78006	2	1

SPARE PARTS INSTANCE INDEX

Code	Parts Table	Pos.	Q.ty	Code	Parts Table	Pos.	Q.ty	Code	Parts Table	Pos.	Q.ty
56174835	B.02.03_0_78411	31	1	561A1372	A.01.02_0_78314	18	1	561A1679	A.03.02_0_77959	11	6
	B.02.04_0_78461	31	1	561A1373	A.01.01_0_78283	19	1	561A1680	A.03.01_0_77926	17	1
56175566	L.03.02_0_90593	5	1		A.01.02_0_78314	19	1		A.03.02_0_77959	17	1
56175567	L.03.02_0_90593	6	1	561A1374	A.01.01_0_78283	4	1	561A1694	A.02.03_0_80234	19	3
56175883	D.04.02_0_78917	12	1		A.01.02_0_78314	4	1		A.02.04_0_80254	19	3
56176696	A.05.01_0_78020	15	2	561A1375	A.02.03_0_80234	12	1	561A1903	F.01.03_0_81089	12	1
56176795	D.08.01_0_80274	3	1		A.02.04_0_80254	12	1		F.01.04_0_81115	12	1
56176814	A.05.01_0_78020	17	3	561A1376	A.02.03_0_80234	13	1	561A1906N	A.01.01_0_78283	27	1
56177045	B.03.04_0_78542	28	4		A.02.04_0_80254	13	1		A.01.02_0_78314	27	1
	B.05.04_0_78617	35	4	561A1387	B.09.01_0_78661	7	1	56370018	D.08.01_0_80274	2	4
56177656	A.02.03_0_80234	16	2	561A1415	C.02.02_0_78710	39	2	56370081	C.01.02_0_78189	6	2
	A.02.04_0_80254	16	2	561A1432F	B.05.04_0_78617	43	1	56370172	D.08.01_0_80274	14	2
56179398	C.01.02_0_78189	13	1		L.03.02_0_90593	23	2	56370178	C.02.02_0_78710	13	2
56179997Z	B.02.03_0_78411	21	2	561A1434	D.10.01_0_87079	10	1		D.07.01_0_80149	18	1
	B.02.04_0_78461	21	3	561A1456N	B.04.02_0_78069	15	1	56370228	C.02.02_0_78710	1.1	2
561A0084	B.02.03_0_78411	37	1	561A1457N	B.04.02_0_78069	16	1		L.01.01_0_79438	16	1
	B.02.04_0_78461	37	1	561A1477	A.01.01_0_78283	10	1	56371582	C.01.02_0_78189	9	1
561A0430	D.12.01_0_79115	7	1		A.01.02_0_78314	10	1	56371583	C.01.02_0_78189	9	1
561A0929	E.02.01_0_90525	12	1	561A1513	A.05.01_0_78020	14	1	56371584	C.01.02_0_78189	9	1
561A1221	F.01.03_0_81089	7	1	561A1514	A.05.01_0_78020	12	1	56371585	C.01.02_0_78189	9	1
	F.01.04_0_81115	7	1	561A1515	A.04.01_0_77992	4	1	56371586	C.01.02_0_78189	9	1
561A1222	C.02.02_0_78710	38	1		A.04.02_0_78006	4	1	56371656	D.07.01_0_80149	4	1
561A1267	D.10.01_0_87079	2	1	561A1519	B.02.03_0_78411	17	1	56371657	D.07.01_0_80149	4	1
561A1320	B.02.03_0_78411	16	1		B.02.04_0_78461	17	1	56371658	D.07.01_0_80149	4	1
	B.02.04_0_78461	16	1	561A1568	D.08.01_0_80274	31	1	56371659	D.07.01_0_80149	4	1
561A1327	B.05.04_0_78617	37	1	561A1575F	B.03.04_0_78542	13	2	56371660	D.07.01_0_80149	4	1
561A1328	B.05.04_0_78617	21	1	561A1576	D.08.01_0_80274	33	2	56371661	D.07.01_0_80149	17	1
561A1356	B.05.04_0_78617	2	1	561A1590	B.02.03_0_78411	23	1	56371662	D.07.01_0_80149	17	1
561A1358	B.02.03_0_78411	10	1		B.02.04_0_78461	23	1	56371663	D.07.01_0_80149	17	1
	B.02.04_0_78461	10	1	561A1591Z	B.02.03_0_78411	24	1	56371664	D.07.01_0_80149	17	1
561A1359	B.02.03_0_78411	11	1		B.02.04_0_78461	24	1	56371666	D.01.02_0_78251	4	1
	B.02.04_0_78461	11	1	561A1673	F.01.03_0_81089	1	1	56371667	D.01.02_0_78251	12	1
561A1361	A.05.01_0_78020	6	1		F.01.04_0_81115	1	1	56371668	D.01.02_0_78251	12	1
561A1372	A.01.01_0_78283	18	1	561A1679	A.03.01_0_77926	11	6	56371669	D.01.02_0_78251	12	1

SPARE PARTS INSTANCE INDEX

Code	Parts Table	Pos.	Q.ty	Code	Parts Table	Pos.	Q.ty	Code	Parts Table	Pos.	Q.ty
56371670	D.01.02_0_78251	12	1	56472698	D.09.01_0_79023	13	1	58071998	T.01.02_0_78999	9	2
56371777	D.10.01_0_87079	26	1	56476188	D.02.02_0_78843	22	1	58072045	L.01.01_0_79438	18	1
56371994	D.01.02_0_78251	18	1		D.04.02_0_78917	21	4	58072269	L.02.01_0_79459	14	1
	D.09.01_0_79023	10	3	564A0925	D.07.01_0_80149	5	1	58072510	B.07.06_0_79341	6	1
56372067	T.03.01_0_78953	6	4	56571697	D.08.01_0_80274	28	2	58072520	B.07.06_0_79341	7	1
56372674	D.10.01_0_87079	17	1	56571785	L.01.01_0_79438	5	1	58072575	B.07.06_0_79341	5	1
56372702	D.09.01_0_79023	12	1	56571824	T.01.02_0_78999	2	1	58072642	T.01.02_0_78999	12	2
56372703	D.09.01_0_79023	12	1	56572694	D.09.01_0_79023	4	1	58072688	D.02.02_0_78843	7	1
56372704	D.09.01_0_79023	12	1	56572720	D.03.01_0_78795	5	2	58072922	T.01.02_0_78999	10	2
56372705	D.09.01_0_79023	12	1	56573708	W.01.01_0_78753	4	5	58073498	F.02.02_0_80948	15	1
56372706	D.09.01_0_79023	12	1		W.01.02_0_78778	4	5	58073499	F.02.02_0_80948	16	1
56372925	T.01.02_0_78999	11	2	57174915	A.05.01_0_78020	11.3	1	58074199	A.05.01_0_78020	21	1
56373440	D.07.01_0_80149	4	1	57370321	E.02.01_0_90525	2	1	58074841	B.07.06_0_79341	4	1
	D.07.01_0_80149	17	1	57371900	A.05.01_0_78020	25	1	58075193	A.05.01_0_78020	19	1
56376791	D.07.01_0_80149	19	1	57372345	F.02.02_0_80948	5	1	58075873	A.03.01_0_77926	31	1
56377980	T.03.02_0_78963	7	4	573A0226	A.03.01_0_77926	20	1	58076369	T.01.02_0_78999	19	1
56379584	C.02.02_0_78710	17	1		A.03.02_0_77959	20	1	58076752	A.05.01_0_78020	16	3
563A0924	D.07.01_0_80149	2	1	573A1528	B.04.02_0_78069	13	1	58077047	B.07.06_0_79341	3	1
563A1011	D.08.01_0_80274	21	1	573A1529	B.04.02_0_78069	14	1	58077051	B.07.06_0_79341	8	1
563A1012	D.08.01_0_80274	23	1	573A1574	E.01.01_0_87533	8	2	58077305	E.03.01_0_90539	11	1
563A1013	D.08.01_0_80274	19	1	58048002	A.02.03_0_80234	18	2	58079929	B.03.04_0_78542	25	4
563A1014	D.08.01_0_80274	17	1		A.02.04_0_80254	18	2		B.05.04_0_78617	31	4
563A1219	F.01.03_0_81089	6	1	58070164	D.08.01_0_80274	13	2	58093053	A.03.01_0_77926	25	1
	F.01.04_0_81115	6	1	58070168	D.08.01_0_80274	15	2		A.03.02_0_77959	25	1
563A1252	D.12.01_0_79115	4	1	58070169	D.08.01_0_80274	9	2	580A0360	D.02.02_0_78843	15	1
563A1275	C.02.02_0_78710	12	1	58070198	D.10.01_0_87079	16	1	580A0361	B.04.02_0_78069	5	2
563A1276	D.10.01_0_87079	13	1	58070205	D.10.01_0_87079	21	1	580A0438	B.07.09_0_79398	17	1
563A1521	D.04.02_0_78917	16	2	58070741	D.08.01_0_80274	24	4		B.07.10_0_79418	17	1
56470365	D.04.02_0_78917	9	1		D.12.01_0_79115	9	1	580A0479	E.01.01_0_87533	5	2
56471508	D.01.02_0_78251	17	1	58071313	E.02.01_0_90525	3	1	580A0481	E.03.01_0_90539	7	2
	D.09.01_0_79023	6	1	58071534	L.01.01_0_79438	9	1	580A0680	A.01.01_0_78283	29	1
56471645	C.02.02_0_78710	24	1		L.02.01_0_79459	2	1		A.01.02_0_78314	29	1
56471665	D.01.02_0_78251	5	1	58071790	C.01.02_0_78189	5	1	580A1016	B.07.06_0_79341	11	1
56472695	D.09.01_0_79023	5	2	58071805	C.02.02_0_78710	18	1	580A1023	B.07.06_0_79341	15	1

SPARE PARTS INSTANCE INDEX

Code	Parts Table	Pos.	Q.ty	Code	Parts Table	Pos.	Q.ty	Code	Parts Table	Pos.	Q.ty
580A1037	B.07.06_0_79341	12	1	580A1540	B.07.06_0_79341	2	1	58170077	C.02.02_0_78710	21	2
580A1038	B.07.06_0_79341	13	1	580A1563	L.03.02_0_90593	24	1	58170453	B.08.01_0_78089	27	1
580A1039	B.07.06_0_79341	14	1	580A1564	A.02.04_0_80254	14	1	58170571	E.03.01_0_90539	2.2	1
580A1121	B.07.09_0_79398	10	1	580A1565	A.02.04_0_80254	15	1	58170572	E.03.01_0_90539	2.1	1
	B.07.10_0_79418	10	1	580A1566	A.02.03_0_80234	14	1	58170803	C.02.02_0_78710	29	1
580A1159	B.07.09_0_79398	2	1	580A1567	A.02.03_0_80234	15	1	58170930	F.02.02_0_80948	20	1
	B.07.10_0_79418	2	1	580A1569	A.03.02_0_77959	31	1		L.03.02_0_90593	30	1
580A1344	E.01.01_0_87533	1	1	580A1571	B.07.06_0_79341	9	1	58170968	B.03.04_0_78542	23	1
580A1442	L.02.01_0_79459	1	1	580A1572	E.02.01_0_90525	4	1	58171596	D.02.02_0_78843	13	2
	L.03.02_0_90593	37	1	580A1573	E.02.01_0_90525	5	1		D.04.02_0_78917	2	2
580A1443	L.03.02_0_90593	27	1	580A1578	B.07.09_0_79398	15	1	58171861	L.01.01_0_79438	2	2
580A1444	L.03.02_0_90593	10	1		B.07.10_0_79418	15	1	58171901	A.05.01_0_78020	7	1
580A1445	L.03.02_0_90593	11	1	580A1579	B.07.09_0_79398	14	1		B.05.04_0_78617	42	2
580A1446	F.01.03_0_81089	20	1		B.07.10_0_79418	14	1	58172011	I.01.01_0_79478	3	1
580A1450	F.02.02_0_80948	9	1	580A1584	B.07.09_0_79398	11	1	58172012	I.01.01_0_79478	4	1
580A1453	L.03.02_0_90593	15	3		B.07.10_0_79418	11	1	58172013	I.01.01_0_79478	5	1
580A1454	L.03.02_0_90593	16	3	580A1585	B.07.09_0_79398	12	1	58172014	I.01.01_0_79478	9	1
580A1490	B.07.09_0_79398	6	2		B.07.10_0_79418	12	1	58172015	L.03.02_0_90593	40	1
	B.07.10_0_79418	6	2	580A1596	D.03.01_0_78795	9	1	58172043	B.08.01_0_78089	24	1
580A1491	B.07.09_0_79398	3	1	580A1597	D.03.01_0_78795	10	1	58172489	I.01.01_0_79478	2	1
	B.07.10_0_79418	3	1	580A1605	B.07.09_0_79398	16	1	58172717	D.03.01_0_78795	2	4
580A1492	B.07.09_0_79398	4	1		B.07.10_0_79418	16	1	58172718	D.03.01_0_78795	3	4
	B.07.10_0_79418	4	1	580A1606	B.07.06_0_79341	16	1	58172773	A.04.01_0_77992	1.3	1
580A1493	B.07.09_0_79398	5	2	580A1607	B.07.06_0_79341	17	1		A.04.02_0_78006	1.3	1
580A1494	B.07.10_0_79418	5	2	580A1608	B.07.09_0_79398	19	2	58173010	A.06.01_0_78345	7	1
580A1503	B.07.09_0_79398	9	2		B.07.10_0_79418	19	2		A.06.02_0_78353	7	1
	B.07.10_0_79418	9	2	580A1609	B.07.06_0_79341	18	4	58173230	D.04.02_0_78917	33	1
580A1507	B.07.09_0_79398	7	1	580A1681	B.07.09_0_79398	1	1	58173337	F.01.03_0_81089	10	1
	B.07.10_0_79418	7	1		B.07.10_0_79418	1	1		F.01.04_0_81115	10	1
580A1508	B.07.09_0_79398	8	1	580A1901	E.03.01_0_90539	2	1	58173361	I.01.01_0_79478	7	1
	B.07.10_0_79418	8	1	580A1902	E.03.01_0_90539	1	1	58173642	F.01.03_0_81089	10.2	1
580A1538	B.07.09_0_79398	13	1	58119799	E.02.01_0_90525	1	1		F.01.04_0_81115	10.2	1
	B.07.10_0_79418	13	1	58170013	C.02.02_0_78710	23	1	58173775	B.07.06_0_79341	10	1
580A1539	B.07.06_0_79341	1	1	58170021	C.03.01_0_78209	2	1	58174019	F.02.02_0_80948	7	1

SPARE PARTS INSTANCE INDEX

Code	Parts Table	Pos.	Q.ty	Code	Parts Table	Pos.	Q.ty	Code	Parts Table	Pos.	Q.ty
58174453	W.01.02_0_78778	2	1	581A1077	B.08.01_0_78089	11	1	59072678	D.10.01_0_87079	27	1
58175187	D.12.01_0_79115	13	1	581A1200N	A.06.01_0_78345	4	1	59072825	L.01.01_0_79438	7	1
58175971	W.01.01_0_78753	10.1	1		A.06.02_0_78353	4	1	59072829	L.01.01_0_79438	6	1
	W.01.02_0_78778	2.1	1	581A1300	B.08.01_0_78089	3	1	59073491	T.01.02_0_78999	1	2
58176203	W.01.02_0_78778	7	1	581A1302	B.09.01_0_78661	6	1	59074662	B.02.03_0_78411	33	2
58176336	F.01.03_0_81089	21	1	581A1383	A.04.01_0_77992	1	1		B.02.04_0_78461	33	2
	F.01.04_0_81115	21	1		A.04.02_0_78006	1	1	59074878	F.01.03_0_81089	18	1
58176396	E.03.01_0_90539	8	2	581A1422	I.01.01_0_79478	1	1		F.01.04_0_81115	18	1
58176406	E.01.01_0_87533	7	2	581A1423	I.01.01_0_79478	8	1	59075012	T.03.02_0_78963	1.03	1
	E.03.01_0_90539	9	2	581A1471	D.10.01_0_87079	11	1	59076690	B.03.04_0_78542	6	2
58177111	A.02.03_0_80234	6	1	581A1472	D.02.02_0_78843	19	1	59077242	E.03.01_0_90539	12	1
	A.02.04_0_80254	6	1	581A1548	B.10.02_0_78117	1	1	59078588	T.01.02_0_78999	17	1
58177330	B.05.04_0_78617	36	2	581A1555	F.01.03_0_81089	8	1	59079661	D.02.02_0_78843	16	1
58177425	B.09.01_0_78661	3	2		F.01.04_0_81115	8	1	590A0058	B.05.04_0_78617	30	1
58177728	B.10.01_0_78674	1	1	581A1561	B.05.04_0_78617	41	1	590A0728	T.03.01_0_78953	1	1
58177756	Z.01.01_0_78791	1.1	1	581A1577	D.08.01_0_80274	32	2	590A0848	B.03.04_0_78542	20	1
58177759	Z.01.01_0_78791	1.2	1	581A1599	F.02.02_0_80948	25	1	590A0849	B.03.04_0_78542	19	1
58178909	W.01.01_0_78753	10	1	581A1600	A.03.01_0_77926	1	1	590A1052	L.02.01_0_79459	5	1
58178960	D.04.02_0_78917	22	1		A.03.02_0_77959	1	1	590A1197N	A.06.01_0_78345	1	1
58179013	B.07.09_0_79398	18	2	581A1690	A.03.01_0_77926	7	1		A.06.02_0_78353	1	1
	B.07.10_0_79418	18	2		A.03.02_0_77959	7	1	590A1237	D.08.01_0_80274	7	1
58179783	A.03.01_0_77926	2	2	581A1691	A.03.01_0_77926	8	1	590A1240	D.08.01_0_80274	8	1
	A.03.02_0_77959	2	2		A.03.02_0_77959	8	1	590A1248	D.10.01_0_87079	1	1
58179859	D.04.02_0_78917	22.2	1	581A1692	A.03.01_0_77926	9	1	590A1253	B.03.04_0_78542	1	1
58179860	D.04.02_0_78917	22.1	1		A.03.02_0_77959	9	1	590A1254	B.03.04_0_78542	2	1
58192377	B.10.02_0_78117	16	1	581A1693	A.03.01_0_77926	10	1	590A1265	D.10.01_0_87079	6	1
581A0071	E.01.01_0_87533	2	2		A.03.02_0_77959	10	1	590A1270	D.02.02_0_78843	30	1
581A0443	I.01.01_0_79478	6	1	59070591	B.03.04_0_78542	22	1	590A1271	D.04.02_0_78917	1	1
581A0619	W.01.01_0_78753	3.1	1	59070592	B.05.04_0_78617	34	1	590A1278N	B.03.04_0_78542	5	1
581A0666	F.01.04_0_81115	20	1	59071241	B.10.02_0_78117	14	1	590A1284V	B.03.04_0_78542	11	1
581A0941	D.01.02_0_78251	1	1	59071518	D.01.02_0_78251	21	1	590A1288V	B.03.04_0_78542	12	1
581A0988	E.01.01_0_87533	6	2	59071779	D.10.01_0_87079	24	1	590A1308V	B.05.04_0_78617	15	1
581A1061	D.02.02_0_78843	1	1	59072057	L.03.02_0_90593	1	4	590A1310V	B.02.04_0_78461	1	1
581A1076	B.08.01_0_78089	10	1	59072675	D.10.01_0_87079	18	1	590A1315V	B.02.03_0_78411	1	1

SPARE PARTS INSTANCE INDEX

Code	Parts Table	Pos.	Q.ty	Code	Parts Table	Pos.	Q.ty	Code	Parts Table	Pos.	Q.ty
590A1322V	B.05.04_0_78617	16	1	590A1907	A.01.02_0_78314	17	1	59900180	L.02.01_0_79459	2.2	1
590A1325V	B.05.04_0_78617	6	1	59279546	C.02.02_0_78710	1	1	59900181	L.01.01_0_79438	9.1	1
590A1346	F.02.02_0_80948	1	1	592A0616	W.01.01_0_78753	3	1		L.02.01_0_79459	2.1	1
590A1350	B.05.04_0_78617	1	1	592A0915	D.09.01_0_79023	1	1	59900347	A.04.01_0_77992	1.2	1
590A1354	A.02.03_0_80234	7	1	592A0918	D.01.02_0_78251	13	1		A.04.02_0_78006	1.2	1
	A.02.04_0_80254	7	1	592A0945	D.06.01_0_80179	2	1	59900353	A.04.01_0_77992	1.1	1
590A1369	A.03.01_0_77926	24	1	59375017	T.03.02_0_78963	1	1		A.04.02_0_78006	1.1	1
590A1371	A.03.02_0_77959	24	1	59900144	A.04.01_0_77992	1.4	1	59901049	B.10.02_0_78117	3	1
590A1381	B.05.04_0_78617	29	1		A.04.02_0_78006	1.4	1	59901058	B.10.02_0_78117	2	1
590A1384	B.05.04_0_78617	28	1	59900152	B.10.02_0_78117	13	1	59901087	E.03.01_0_90539	8.1	2
590A1390	D.04.02_0_78917	7	1	59900153	B.10.02_0_78117	8	1	59901099	B.10.02_0_78117	15	1
590A1394	B.05.04_0_78617	12	2	59900154	B.10.02_0_78117	7	4	59901100	B.10.02_0_78117	17	1
590A1400	D.02.02_0_78843	12	1	59900155	B.10.02_0_78117	6	1	59901101	B.10.02_0_78117	18	2
590A1402	D.12.01_0_79115	11	1	59900156	B.10.02_0_78117	5	1	59901266	B.10.01_0_78674	16	4
590A1408	B.04.02_0_78069	1	1	59900157	B.10.02_0_78117	10	1	59901431	B.02.03_0_78411	2/1	1
590A1410	B.04.02_0_78069	2	1	59900158	B.10.02_0_78117	9	18		B.02.04_0_78461	2/1	1
590A1425	A.02.03_0_80234	1	1	59900159	B.10.02_0_78117	4	1	59901433	B.02.03_0_78411	2/2	1
	A.02.04_0_80254	1	1	59900160	B.10.02_0_78117	11	1		B.02.04_0_78461	2/2	1
590A1426	A.01.01_0_78283	16	1	59900161	B.10.02_0_78117	12	1	59901446	A.01.01_0_78283	25	1
	A.01.02_0_78314	16	1	59900163	B.10.01_0_78674	9	1		A.01.02_0_78314	25	1
590A1436	L.03.02_0_90593	29	1	59900165	B.10.01_0_78674	15	1	59901447	A.01.01_0_78283	26	1
590A1437	L.03.02_0_90593	35	1	59900166	B.10.01_0_78674	14	1		A.01.02_0_78314	26	1
590A1460	D.04.02_0_78917	6	1	59900167	B.10.01_0_78674	12	1	59901451	A.01.01_0_78283	12	1
590A1478	A.05.01_0_78020	1	1	59900168	B.10.01_0_78674	10	1		A.01.02_0_78314	12	1
590A1483	A.05.01_0_78020	18	1	59900169	B.10.01_0_78674	11	1	59901452	A.01.01_0_78283	9	1
590A1525	D.04.02_0_78917	29	1	59900170	B.10.01_0_78674	13	1	59901453	A.01.02_0_78314	9	1
590A1558	F.01.03_0_81089	24	2	59900171	B.10.01_0_78674	2	1	59901454	A.01.01_0_78283	8	1
	F.01.04_0_81115	24	2	59900172	B.10.01_0_78674	5	1	59901455	A.01.02_0_78314	8	1
590A1562	L.03.02_0_90593	33	1	59900173	B.10.01_0_78674	6	1	59901468	D.02.02_0_78843	1.2	1
590A1642	L.01.01_0_79438	12	1	59900174	B.10.01_0_78674	7	1	59901469	D.02.02_0_78843	1.1	1
	L.02.01_0_79459	8	1	59900175	B.10.01_0_78674	8	1	59901474	E.02.01_0_90525	7.1	1
590A1699	F.01.03_0_81089	16	1	59900178	F.02.02_0_80948	7.1	1	92481555	Z.01.01_0_78791	1	1
	F.01.04_0_81115	16	1	59900179	F.02.02_0_80948	7.2	1	F0060031247	T.01.02_0_78999	16	1
590A1907	A.01.01_0_78283	17	1	59900180	L.01.01_0_79438	9.2	1	F0150010905	W.01.02_0_78778	3	1

SPARE PARTS INSTANCE INDEX

Code	Parts Table	Pos.	Q.ty	Code	Parts Table	Pos.	Q.ty	Code	Parts Table	Pos.	Q.ty
F0150010910	W.01.02_0_78778	6	1	F0812733075	D.06.01_0_80179	13	2	F0819134050	D.02.02_0_78843	8	1
F0256112009	A.03.01_0_77926	30	1		D.07.01_0_80149	10	1	F0821057000	D.01.02_0_78251	22	2
	A.03.02_0_77959	30	1	F0812747000	C.02.02_0_78710	20	2		D.09.01_0_79023	19	2
F0256809050	A.03.01_0_77926	15	1	F0812779000	D.11.01_0_79318	5	1	F0822537050	D.02.02_0_78843	14	1
	A.03.02_0_77959	15	1	F0812810100	D.07.01_0_80149	3	2		D.04.02_0_78917	15	1
F0801095000	D.04.02_0_78917	27	1	F0812849100	D.06.01_0_80179	1	1	F0824022000	A.03.01_0_77926	26	3
F0801151000	D.06.01_0_80179	9	1		D.11.01_0_79318	8	1		A.03.02_0_77959	26	3
F0801190000	D.03.01_0_78795	7	2	F0812871030	D.06.01_0_80179	10	1	F0824110000	F.02.02_0_80948	11	1
F0801241005	D.07.01_0_80149	7	5	F0812895000	C.01.02_0_78189	8	2		L.03.02_0_90593	14	28
F0801248000	D.06.01_0_80179	12	3	F0812895100	D.09.01_0_79023	11	2	F0824141000	F.02.02_0_80948	14	4
	D.07.01_0_80149	9	1	F0812933000	D.06.01_0_80179	14	1		L.03.02_0_90593	18	6
F0801264050	D.11.01_0_79318	7	1	F0814547000	B.03.04_0_78542	26	4		L.03.02_0_90593	26	3
	L.01.01_0_79438	8	2		B.05.04_0_78617	32	4	F0824185000	F.01.03_0_81089	15	1
	L.02.01_0_79459	16	1	F0814569000	B.10.01_0_78674	3	1		F.01.04_0_81115	15	1
F0801282000	L.03.02_0_90593	20	12	F0814627000	D.04.02_0_78917	31	3	F0825115010	B.08.01_0_78089	19	1
F0801331000	D.06.01_0_80179	5	1	F0814628050	D.04.02_0_78917	20	2	F0825139000	B.08.01_0_78089	28	1
F0801331100	D.07.01_0_80149	14	1	F0814632000	A.03.01_0_77926	4	2	F0825400060	B.08.01_0_78089	18	1
F0801425000	D.06.01_0_80179	15	1		A.03.02_0_77959	4	2	F0825403050	B.08.01_0_78089	23	1
F0802100050	C.02.02_0_78710	32	1	F0814647000	C.02.02_0_78710	5	4	F0825414000	A.05.01_0_78020	23	2
F0802190010	D.01.02_0_78251	8	1	F0814695000	C.03.01_0_78209	7	2		B.02.03_0_78411	42	2
	D.11.01_0_79318	11	1		L.02.01_0_79459	11	1		B.02.04_0_78461	42	2
F0802239052	D.01.02_0_78251	25	2	F0814751000	W.01.01_0_78753	3.3	4		B.05.04_0_78617	40	2
	D.09.01_0_79023	16	2		W.01.01_0_78753	10.3	4	F0825417000	E.02.01_0_90525	11	1
F0803178000	D.10.01_0_87079	12	1		W.01.02_0_78778	2.3	4	F0825438000	E.03.01_0_90539	3	1
F0804052000	D.10.01_0_87079	25	1	F0814794000	B.03.04_0_78542	10	2	F0825488000	D.04.02_0_78917	32	1
F0806533000	D.04.02_0_78917	8	1	F0817500470	D.08.01_0_80274	11	2	F0825493000	E.03.01_0_90539	10	1
F0808060100	T.03.01_0_78953	8	1	F0817505100	A.05.01_0_78020	22	2	F0825718010	F.01.03_0_81089	10.1	1
F0810510000	A.03.01_0_77926	27	3	F0817523200	F.01.03_0_81089	22	4		F.01.04_0_81115	10.1	1
	A.03.02_0_77959	27	3		F.01.04_0_81115	22	4	F0825980030	L.03.02_0_90593	19	6
	D.04.02_0_78917	13	1	F0817550100	A.04.01_0_77992	9	1	F0826056000	C.02.02_0_78710	10	2
F0812523050	D.02.02_0_78843	5	1		A.04.02_0_78006	9	1		L.01.01_0_79438	3	1
F0812525100	D.11.01_0_79318	3	1	F0817640003	D.08.01_0_80274	12	2		T.03.02_0_78963	1.04	1
F0812686100	D.07.01_0_80149	20	1	F0819134030	D.02.02_0_78843	9	1	F0831125000	A.02.03_0_80234	5	1
F0812689000	D.06.01_0_80179	3	2	F0819134040	D.02.02_0_78843	10	1		A.02.04_0_80254	5	1

SPARE PARTS INSTANCE INDEX

Code	Parts Table	Pos.	Q.ty	Code	Parts Table	Pos.	Q.ty	Code	Parts Table	Pos.	Q.ty
F0831139000	D.08.01_0_80274	6	1	F0843570000	E.02.01_0_90525	10	2	F0843755000	A.05.01_0_78020	5	4
F0831193010	D.02.02_0_78843	26	1		F.02.02_0_80948	24	4		B.04.02_0_78069	12	2
F0835023000	L.03.02_0_90593	13	4		T.01.02_0_78999	22	1		B.08.01_0_78089	5	4
F0835027000	L.03.02_0_90593	38	1	F0843643060	A.01.01_0_78283	7	6		C.02.02_0_78710	3	1
F0835040000	F.02.02_0_80948	17	2		A.01.02_0_78314	7	6		C.03.01_0_78209	12	4
	L.03.02_0_90593	17	6		A.02.03_0_80234	4	3		D.02.02_0_78843	11	1
F0838131000	D.11.01_0_79318	12	4		A.02.04_0_80254	4	3		D.02.02_0_78843	33	2
F0838166018	D.11.01_0_79318	18	2		A.05.01_0_78020	9	4		D.04.02_0_78917	5	2
F0838470000	C.02.02_0_78710	4	4		A.06.01_0_78345	3	4		F.02.02_0_80948	8	4
F0838660000	C.03.01_0_78209	6	2		A.06.01_0_78345	6	1		T.01.02_0_78999	8	4
	L.02.01_0_79459	10	1		A.06.02_0_78353	3	4	F0843818000	B.04.02_0_78069	7	4
F0842512000	F.02.02_0_80948	12	1		A.06.02_0_78353	6	1		F.02.02_0_80948	4	4
F0842519050	L.02.01_0_79459	15	1		B.02.03_0_78411	35	2	F0843841000	A.01.01_0_78283	15	2
F0843107000	L.02.01_0_79459	6	2		B.02.03_0_78411	40	2		A.01.02_0_78314	15	2
	L.03.02_0_90593	31	1		B.02.04_0_78461	35	2	F0843843060	A.01.01_0_78283	24	4
F0843109000	F.02.02_0_80948	18	2		B.02.04_0_78461	40	2		A.01.02_0_78314	24	4
F0843109020	L.03.02_0_90593	12	11		B.03.04_0_78542	16	10		B.03.04_0_78542	4	8
F0843116000	F.02.02_0_80948	13	1		B.04.02_0_78069	10	2		B.05.04_0_78617	5	4
	L.03.02_0_90593	34	1		B.04.02_0_78069	19	3		T.03.01_0_78953	5	8
F0843522010	D.08.01_0_80274	25	6		B.05.04_0_78617	11	22		T.03.02_0_78963	5	8
F0843526000	B.08.01_0_78089	14	4		B.09.01_0_78661	12	4	F0843907000	L.02.01_0_79459	7	4
F0843561000	E.01.01_0_87533	10	4		D.02.02_0_78843	4	6		L.03.02_0_90593	32	2
F0843570000	A.02.03_0_80234	9	2		D.02.02_0_78843	18	2	F0843948000	F.02.02_0_80948	19	4
	A.02.04_0_80254	9	2		D.04.02_0_78917	25	1	F0843957000	D.10.01_0_87079	22	1
	A.03.01_0_77926	13	6		D.10.01_0_87079	5	4	F0844084000	W.01.01_0_78753	13	1
	A.03.01_0_77926	19	2		D.11.01_0_79318	19	2	F0844273090	C.01.02_0_78189	7	2
	A.03.02_0_77959	13	6		D.12.01_0_79115	6	3		C.03.01_0_78209	3	1
	A.03.02_0_77959	19	2		F.01.03_0_81089	5	9	F0844283020	T.01.02_0_78999	4	2
	B.02.03_0_78411	13	8		F.01.04_0_81115	5	9	F0847434000	D.08.01_0_80274	26	4
	B.02.03_0_78411	20	5	F0843696000	D.02.02_0_78843	34	2		D.12.01_0_79115	10	1
	B.02.04_0_78461	13	8	F0843755000	A.01.01_0_78283	21	8	F0848610000	W.01.01_0_78753	1	1
	B.02.04_0_78461	20	5		A.01.02_0_78314	21	8	F0848629000	W.01.01_0_78753	8	1
	B.05.04_0_78617	39	2		A.03.01_0_77926	5	4	F0848635000	W.01.01_0_78753	6	1
	C.01.02_0_78189	15	1		A.03.02_0_77959	5	4	F0848887000	W.01.01_0_78753	2	1

SPARE PARTS INSTANCE INDEX

Code	Parts Table	Pos.	Q.ty
F0849206005	A.03.01_0_77926	16	1
	A.03.02_0_77959	16	1
F0849500001	A.05.01_0_78020	11.1	1
F0849500002	A.05.01_0_78020	11.2	1
F0851180000	D.08.01_0_80274	27	4
F0851260000	D.10.01_0_87079	19	1
F0851267050	D.10.01_0_87079	15	1
F0851486000	T.01.02_0_78999	14	4
	T.01.02_0_78999	18	1
	T.03.01_0_78953	7	4
	T.03.02_0_78963	6	4
F0851497000	T.03.01_0_78953	9	1
F0852550100	L.03.02_0_90593	21	6
F0852550200	L.03.02_0_90593	22/1	3
F0852550210	L.03.02_0_90593	22/4	1
F0852550220	L.03.02_0_90593	22/2	3
F0852550230	L.03.02_0_90593	22/3	3
F0860058000	D.02.02_0_78843	24	1
F0860090010	D.04.02_0_78917	17	2
F0860090110	D.04.02_0_78917	18	2
F0861830100	B.02.03_0_78411	22	2
	B.02.04_0_78461	22	3
F0861831000	B.03.04_0_78542	21	6
F0861867050	E.01.01_0_87533	4	8
F0861929060	E.01.01_0_87533	9	4
F0861941000	E.03.01_0_90539	4	3
F0862037050	D.07.01_0_80149	13	1
F0862479020	B.05.04_0_78617	24	4
	B.08.01_0_78089	25	4
	L.03.02_0_90593	2	4
F0862479034	A.01.01_0_78283	28	2
	A.01.02_0_78314	28	2
	B.09.01_0_78661	4	4
F0862593050	C.02.02_0_78710	30	1

Code	Parts Table	Pos.	Q.ty
F0862657000	D.01.02_0_78251	3	1
F0862694000	B.09.01_0_78661	11	4
	D.08.01_0_80274	4	4
F0863183000	D.08.01_0_80274	29	2
F0863267050	C.02.02_0_78710	8	8
	D.01.02_0_78251	14	8
	D.09.01_0_79023	2	8
F0863359000	C.02.02_0_78710	2	1
F0863925000	B.05.04_0_78617	4	2
F0864176000	W.01.01_0_78753	5/1	5
	W.01.02_0_78778	5/1	5
F0864192000	W.01.01_0_78753	5/2	5
	W.01.02_0_78778	5/2	5
F0864200000	W.01.01_0_78753	3.4	4
	W.01.01_0_78753	10.4	4
	W.01.02_0_78778	2.4	4
F0864364000	W.01.01_0_78753	12/1	1
F0864377000	B.03.04_0_78542	9	2
F0864403000	W.01.01_0_78753	12/3	1
F0865040000	B.08.01_0_78089	1	1
F0865040020	B.08.01_0_78089	2	1
P123298000000	A.03.01_0_77926	29	2
	A.03.02_0_77959	29	2
P238106000000	A.02.03_0_80234	10	1
	A.02.04_0_80254	10	1
P241171000000	L.03.02_0_90593	39	1
P405339000000	A.03.01_0_77926	23	4
	A.03.02_0_77959	23	4
P439149000000	B.03.04_0_78542	8	2
P453727000000	A.04.01_0_77992	8	2
	A.04.02_0_78006	8	2
P470330000000	D.11.01_0_79318	21	1
P470433000000	D.11.01_0_79318	20	1
P917280000000	B.03.04_0_78542	7	2

Code	Parts Table	Pos.	Q.ty
P979179000000	A.01.01_0_78283	30	2
	A.01.02_0_78314	30	2
	A.03.01_0_77926	32	2
	A.03.02_0_77959	32	2
	A.05.01_0_78020	20	2